

PRODUCT INFORMATION PACKET

Model No: 5KC46GN0251
Catalog No: C1458
1/2, 1800, DP, 56, 1/60/115/230
Instant Reversing



Regal and Marathon are trademarks of Regal Beloit Corporation or one of its affiliated companies.
©2018 Regal Beloit Corporation, All Rights Reserved. MC017097E





Nameplate Specifications

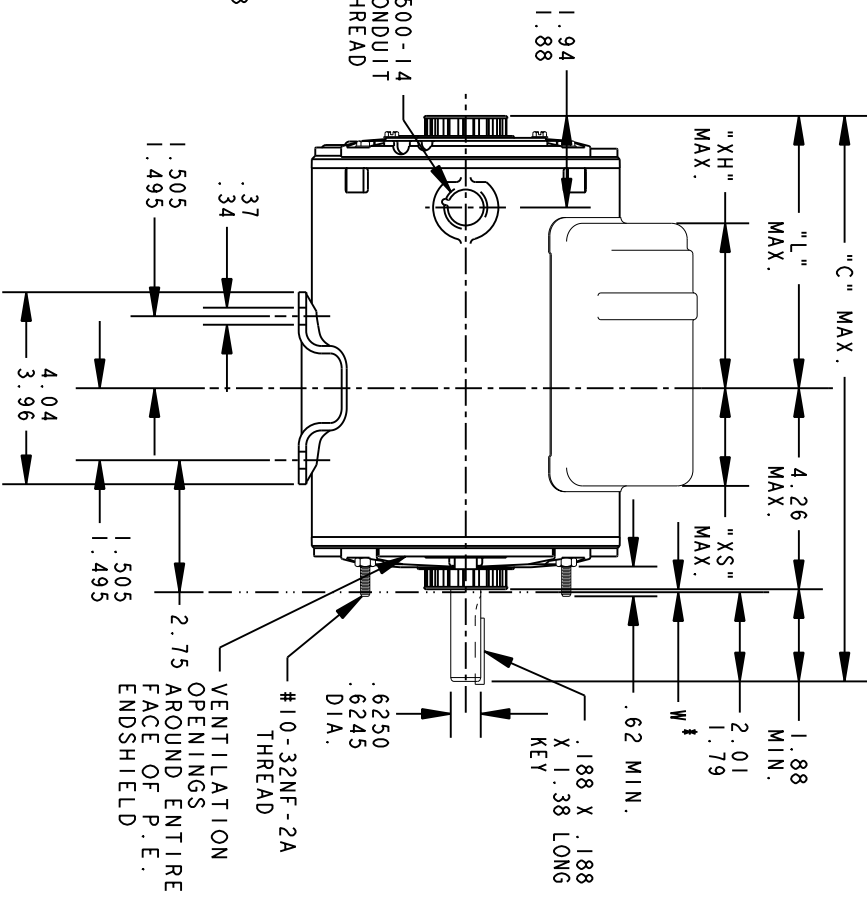
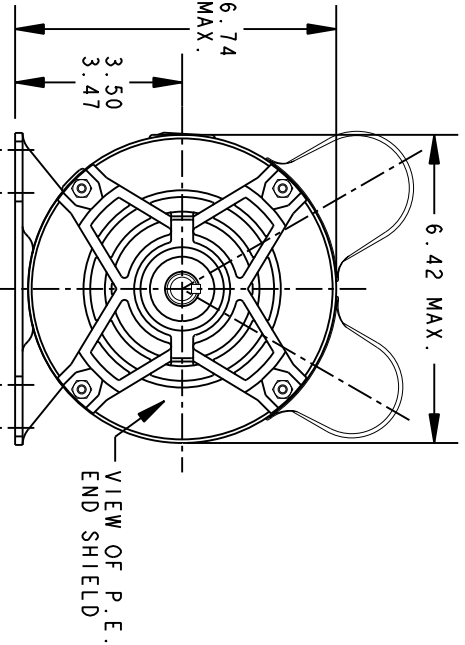
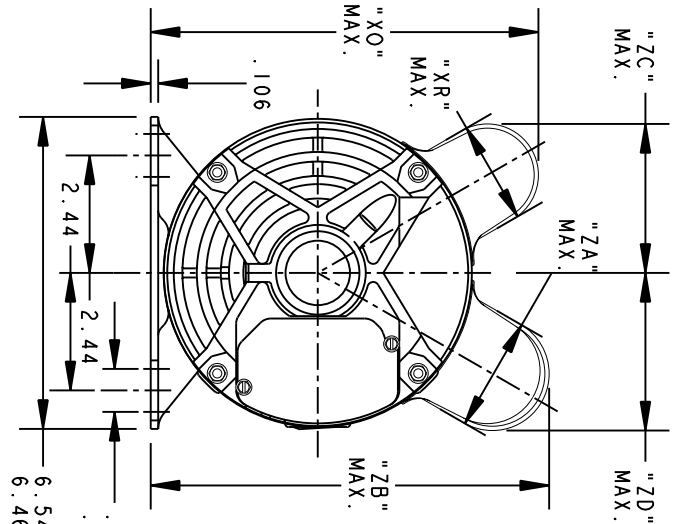
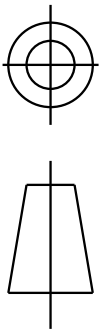
Output HP	0.5 Hp	Output KW	0.37 kW
Frequency	60 Hz	Voltage	115/230 V
Current	8.8,4.4 A	Speed	1725 rpm
Service Factor	1.25	Phase	1
Efficiency	52.5 %	Duty	CONT
Insulation Class	B	KVA Code	N
Frame	56	Enclosure	DP
Overload Protector	N/R	Ambient Temperature	40 °C
Drive End Bearing Size	6203	Opp Drive End Bearing Size	6203
UL	Recognized	CSA	Yes
CE	N		

Technical Specifications

Electrical Type	Capacitor start(CSIR)	Starting Method	SM
Poles	4	Rotation	INSREV
Mounting	WB	Motor Orientation	ANY
Drive End Bearing	BALL	Opp Drive End Bearing	BALL
Frame Material	Rolled Steel	Overall Length	10.78 in
Frame Length	6.55 in	Shaft Diameter	0.63 in
Shaft Extension	1.88 in		
Outline Drawing	52A107886P1	Connection Diagram	52A106888

This is an uncontrolled document once printed or downloaded and is subject to change without notice. Date Created: 04/05/2018

REV.	DESCRIPTION	DATE	APPROVED
2	CHG TO RBC FORMAT PER IS05-1777	03/08/06	SUDHA



* W IS A VARIABLE CLEARANCE DUE TO VARIATIONS IN PARTS AND ASSEMBLY

P	TYPE	GE SIZE	NEMA "C"	"L"	"XH"	"XO"	"XR"	"XS"	"ZA"	"ZB"	"ZC"	"ZD"	MIN. SHELL	
2	KC	49	56	11.38	5.22	3.16	8.18	2.15	2.41	2.40	8.40	3.20	3.38	7.15
1	KC	46	56	10.78	4.62	2.81	8.18	2.15	2.81	2.40	8.40	3.20	3.38	6.55

SIGNATURES	DATE	
MODEL	MA MARKS	01/21/94
DETAIL	CHECKED	
ENGRG		
MFG		
QUALITY		
ISSUED	MA MARKS	01/21/94



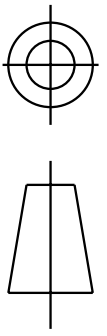
REGAL-BELOTT CORPORATION

TITLE OUTLINE

GENERAL PURPOSE MOTOR DRIP PROOF - BALL BEARING - WELD BASE FWF - 40 FRAME REDESIGN (5KC46GN0251Y)

FOR ADDITIONAL INFO REFER TO:	
APPLIED PRACTICES	ISSUED
DIMENSIONS ARE IN INCHES	MA MARKS
MATERIAL	SOLID MODEL: 52A107886

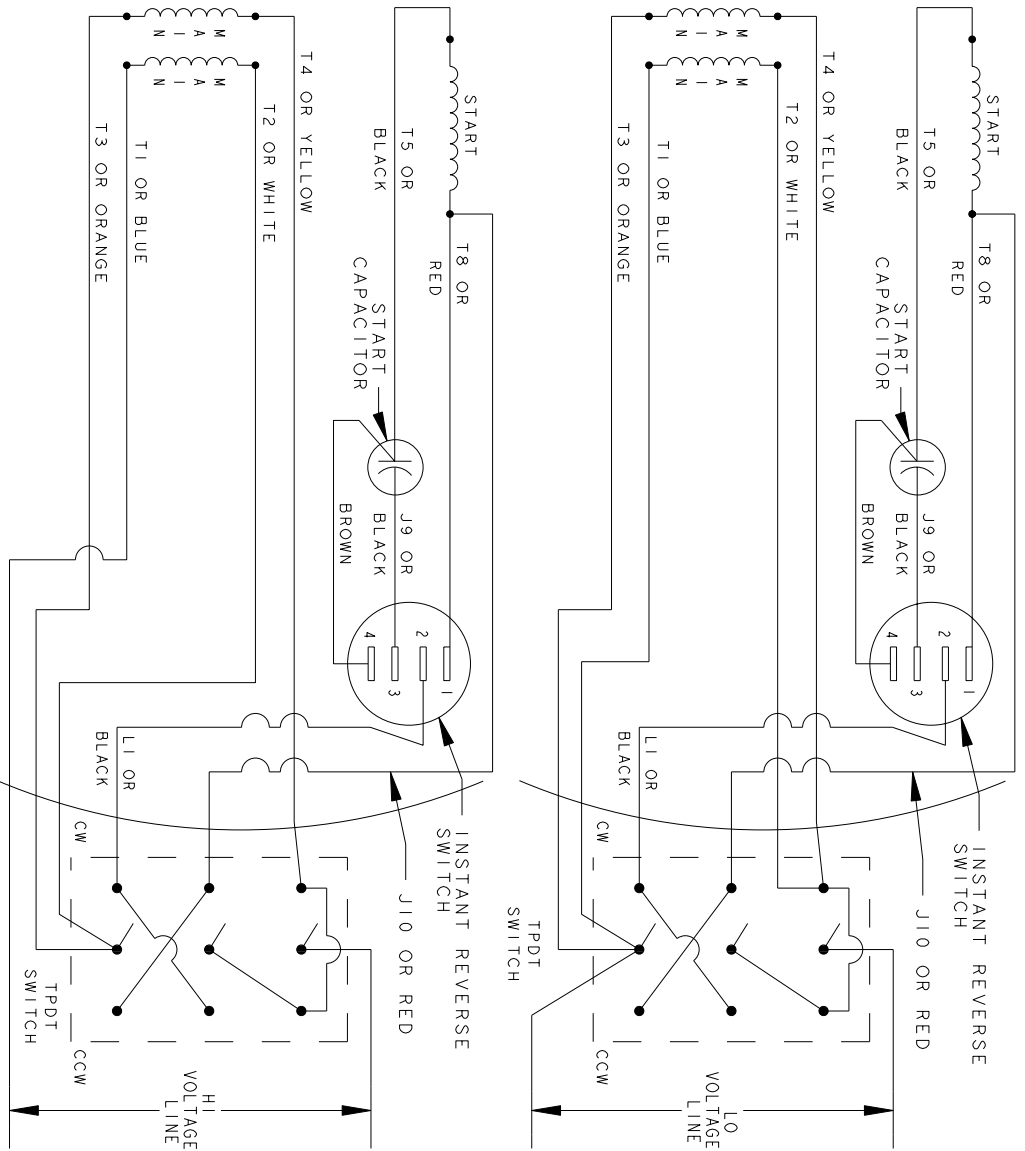
SIZE	DRAWING	SCALE	0.250	REF. No.	
A					
52A107886	REV				
	2				
					SHEET 1 of 1



THIRD ANGLE PROJECTION

REV.	DESCRIPTION	DATE	APPROVED
2	UPDATED TO RBC FORMAT	01/11/06	MAM

INSTANTLY REVERSIBLE STERNS IR SWITCH
DUAL VOLTAGE - TYPE KC



NOTE#1 - WHEN MORE THAN ONE CAPACITOR IS USED, CONNECT IN PARALLEL.
NOTE#2 - DO NOT APPLY HI-POT VOLTAGE FROM LEAD TO LEAD. TIE ALL LEADS TOGETHER AND HI-POT TO GROUND. IF HI-POT LEAD TO LEAD IS PERFORMED, DISCONNECT SWITCH PRIOR TO HI-POT OPERATION. FAILURE TO DO THIS COULD RESULT IN ELECTRONIC COMPONENT IN S.S. SWITCH.

REF. DIAG. - NONE

CONNECTION LABEL - 52X333067

SIGNATURES	DATE
MODEL M.D.P.	06/11/92
DETAIL	.
CHECKED	.
ENGRG	.
MFG	.
QUALITY	.
ISSUED M.D.P.	06/11/92
SOLID MODEL: 52A106888	



REGAL-BELOLT CORPORATION

CONNECTION DIAGRAM

FMF: 5KC35HNA323

SIZE DRAWING	A	SCALE: 1.000	REF. No.:	SHEET 1 of 1
TITLE	CONNECTION DIAGRAM			
REV	52A106888			