

# PRODUCT INFORMATION PACKET



Model No: B199748.00

Catalog No: B199748.00

30 HP General Purpose Motor, 3 phase, 3600 RPM, 230/460 V, 284TSC Frame, ODP  
Three Phase ODP Motors



Regal and Leeson are trademarks of Regal Beloit Corporation or one of its affiliated companies.  
©2020 Regal Beloit Corporation, All Rights Reserved. MC017097E

The Regal logo is located in the bottom right corner. It features the word "REGAL" in a white, sans-serif font, set against a dark grey, trapezoidal background. The background of the entire page on the right side is a blue gradient with a halftone dot pattern.



### Nameplate Specifications

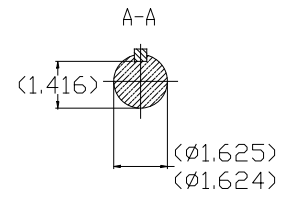
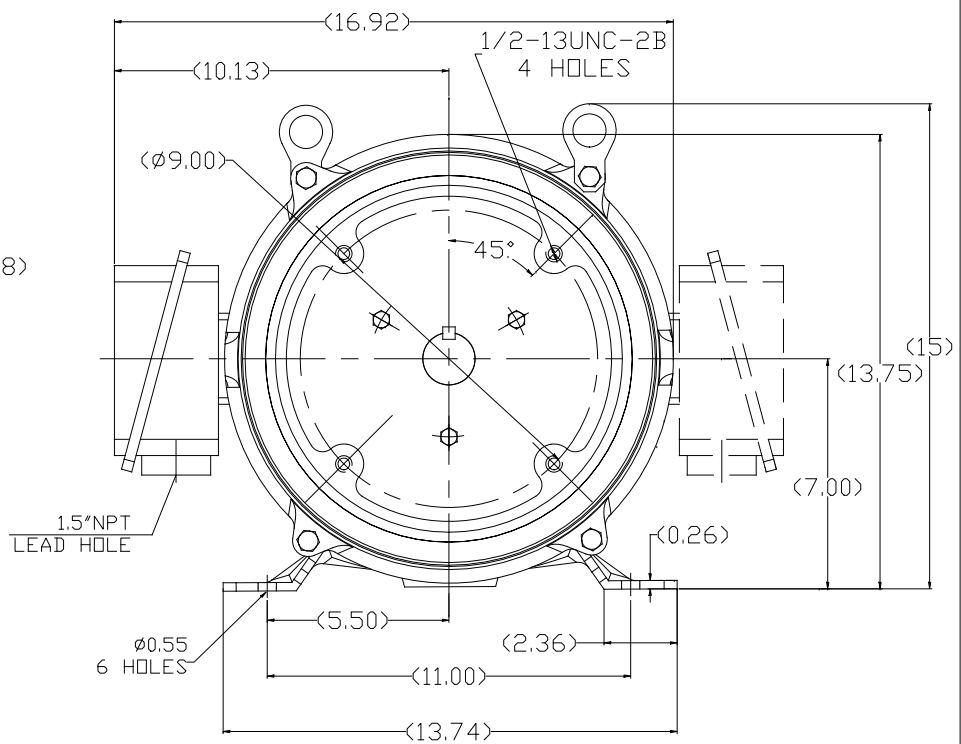
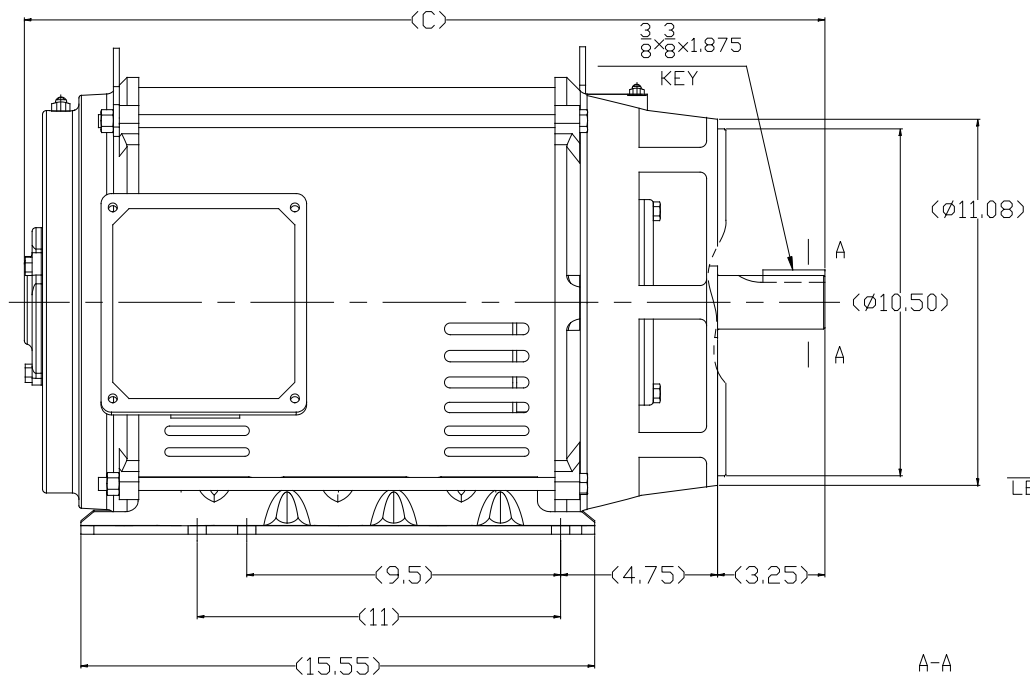
Output HP	25 Hp	Output KW	22.4 kW
Frequency	60 Hz	Voltage	230/460 V
Current	71.5/35.5 A	Speed	2960 rpm
Service Factor	1.15	Phase	3
Efficiency	91.7 %	Power Factor	87
Duty	CONTINUOUS	Insulation Class	F7
Design Code	B	KVA Code	F
Frame	284TSC	Enclosure	DP
Thermal Protection	NOT	Ambient Temperature	40 °C
Drive End Bearing Size	6211	Opp Drive End Bearing Size	6211
UL	V-INS, CONST UL REC	CSA	N
CE	Y	IP Code	12

### Technical Specifications

Electrical Type	Squirrel Cage Inverter Rated	Starting Method	Y START D RUN OR INV
Poles	2	Rotation	REV
Resistance Main	.358 Ohms	Mounting	RIGID
Motor Orientation	HORIZONTAL	Drive End Bearing	BALL
Opp Drive End Bearing	BALL	Frame Material	ROLLED STEEL
Shaft Type	TS	Overall Length	24.34 in
Frame Length	12.59 in	Shaft Diameter	1 5/8 in
Shaft Extension	3.25 in	Assembly/Box Mounting	F1/F2 CAPABLE
Outline Drawing	SS620710-284TSC	Connection Drawing	A-EE7308AA

This is an uncontrolled document once printed or downloaded and is subject to change without notice. Date Created:20/05/2020

SS620710



284TSC	24.34	YES
286TSC	25.72	YES
FRAME	C	F1/F2

TOLERANCES UNLESS SPECIFIED		REGAL REGAL-BELOIT CORPORATION		DRAWN WY 25-2-2016	
DEC.	INCHES	TITLE		CHK ZXW 25-2-2016	
.X	±.1	284/286TSC FR.-ODP-ROLLED STEEL		APPD ZYH 25-2-2016	
.XX	±.03	OUTLINE		SCALE 1:1	
.XXX	±.005	MAT'L.		REF	
.XXXX	±.0005	FINISH		FMF	
ND.	REVISION	BY & DATE	CHK	ANG	±1/2"
THIS DRAWING IN DESIGN AND DETAIL IS OUR PROPERTY AND MUST NOT BE USED EXCEPT IN CONNECTION WITH OUR WORK ALL RIGHTS OF DESIGN AND INVENTION ARE RESERVED THIS IS AN ELECTRONICALLY GENERATED DOCUMENT - DO NOT SCALE THIS PRINT			RFP	CAD FILE	SS620710
			DIST	SIZE	B
			DRAWING NO.	SS620710	PAGE OF
				SS620710	2
					REV.



### LOW VOLTAGE

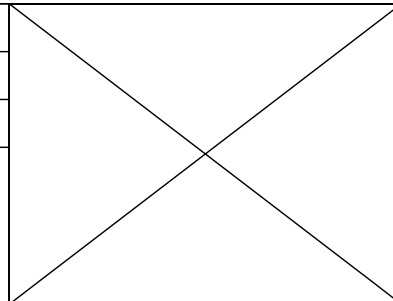


### HIGH VOLTAGE



### VIEW OF TERMINAL END

DRAWING REVISION <b>K</b>	REVISION BY <b>AJW</b>	DATE <b>07-17-2015</b>
ECO <b>ECO-0081632</b>	APPROVED BY <b>T. VUE</b>	DATE <b>07-17-2015</b>
ECO DESCRIPTION <b>REV'D IEC MARKINGS PER IEC 60034-8</b>		
<small>COPYRIGHT REGAL BELOIT AMERICA, INC. ALL RIGHTS RESERVED.          PROPRIETARY AND CONFIDENTIAL INFORMATION - THIS DOCUMENT IS THE PROPERTY OF          REGAL BELOIT AMERICA, INC. ("OWNER") AND CONTAINS OWNER'S PROPRIETARY          INFORMATION. ANY PERSON, CORPORATION OR OTHER FIRM RECEIVING IT IS DEEMED,          BY RECEIVING IT, TO AGREE THAT IT, AND/OR ANY PART OF IT, SHALL NOT BE DISCLOSED          TO ANY PERSON, CORPORATION OR OTHER ENTITY, DUPLICATED, AND/OR USED, EXCEPT          AS EXPRESSLY APPROVED IN WRITING IN ADVANCE BY OWNER. THIS DOCUMENT SHALL          BE RETURNED TO OWNER UPON REQUEST. IT MAY BE SUBJECT TO CERTAIN          RESTRICTIONS UNDER APPLICABLE EXPORT CONTROL LAWS AND REGULATIONS.</small>		



DRAWN BY <b>LZ</b>	<b>Regal Beloit America, Inc.</b>	
DATE <b>01-12-1994</b>		
APPROVED BY <b>GK</b>	<b>DESCRIPTION</b> <b>CONN DIAGRAM-EXTERNAL</b> <b>3Ø-2/1 DELTA-12 LEADS</b>	
DATE <b>01-14-1994</b>		
REFERENCE	MATERIAL	PROCESS/FINISH
THIRD ANGLE PROJECTION	SIZE <b>A</b>	DRAWING NUMBER <b>EE7308AA</b>
		SHEET <b>1 OF 1</b>