

PRODUCT INFORMATION PACKET



Model No: A019341.00
Catalog No: A019341.00
General Purpose Motor, 3 HP, 1 Ph, 60 Hz, 230 V, 3600 RPM, 145T Frame, TEFC



Regal and Leeson are trademarks of Regal Rexnord Corporation or one of its affiliated companies.
©2022 Regal Rexnord Corporation, All Rights Reserved. MC017097E





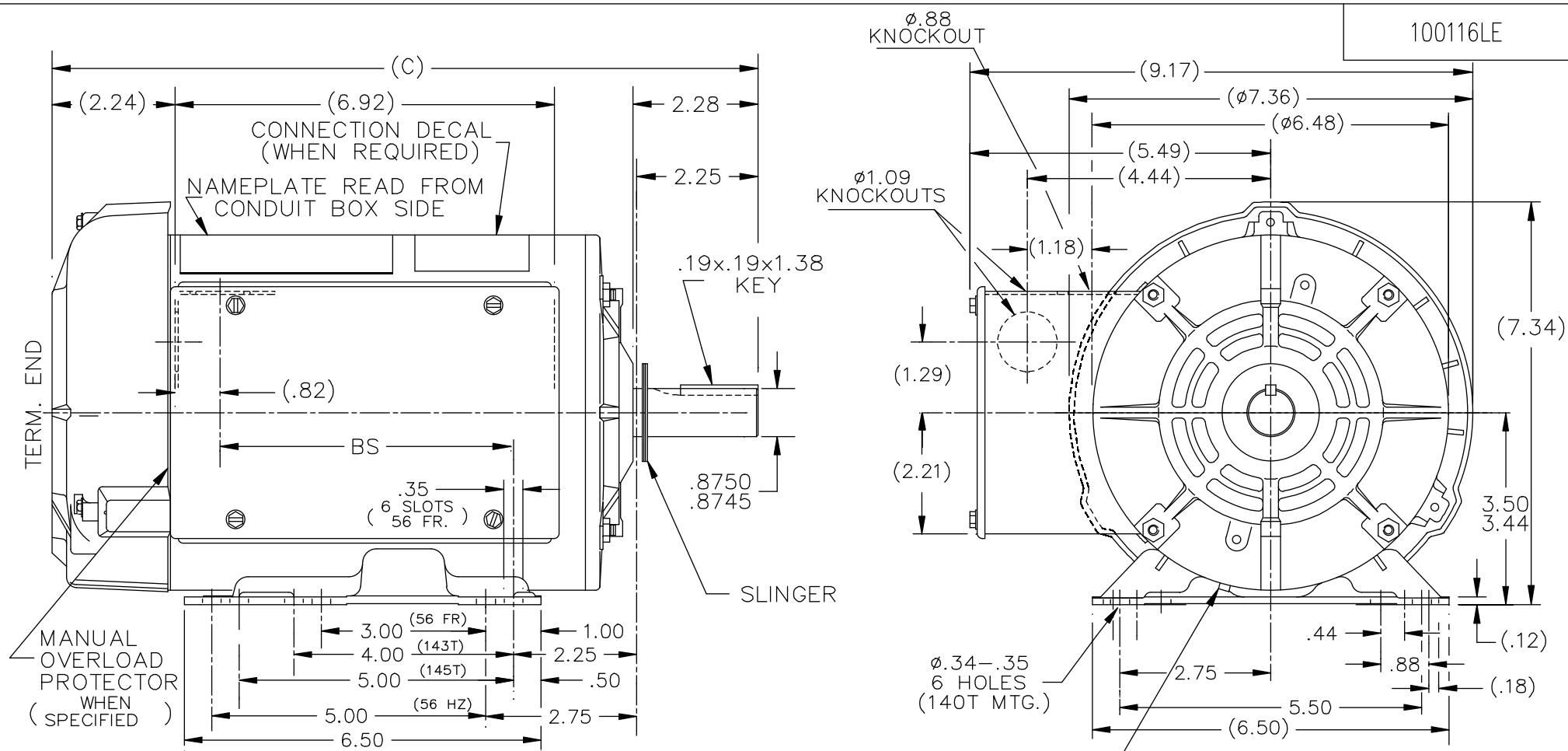
Nameplate Specifications

Output HP	3 Hp	Output KW	2.2 kW
Frequency	60 Hz	Voltage	230 V
Current	11.8 A	Speed	3510 rpm
Service Factor	1	Phase	1
Efficiency	84 %	Power Factor	99.2
Duty	Continuous	Insulation Class	B
Design Code	NO DESIGN CODE	KVA Code	H
Frame	145T	Enclosure	Totally Enclosed Fan Cooled
Thermal Protection	No Protection	Ambient Temperature	40 °C
Drive End Bearing Size	6205	Opp Drive End Bearing Size	6203
UL	Recognized	CSA	Y
CE	N	IP Code	43
Number of Speeds	1		

Technical Specifications

Electrical Type	Capacitor Start Capacitor Run	Starting Method	Across The Line
Poles	2	Rotation	Selective Counterclockwise
Resistance Main	0 Ohms	Mounting	Rigid Base
Motor Orientation	Horizontal	Drive End Bearing	Ball
Opp Drive End Bearing	Ball	Frame Material	Rolled Steel
Shaft Type	T	Assembly/Box Mounting	F1 ONLY
Connection Drawing	A-102006-157LE	Outline Drawing	A-100116LE-956

This is an uncontrolled document once printed or downloaded and is subject to change without notice. Date Created:11/29/2022



DASH	FR.	C	BS	DASH	FR.	C	BS
				806	140T/56HZ	13.37	5.82
				856	"	13.87	6.32
				906	"	14.37	6.82
756	140T/56HZ	12.87	5.32	956	"	14.87	7.32

NO.	REVISION	BY & DATE	CHK	TOLERANCES UNLESS SPECIFIED	
				DEC.	INCHES
07	ADDED DRAIN HOLE NOTE PER ECN#24221	PN 4/26/2012	SVL	.X	±.1
06	ADDED HEIGHT DIMENSION (7.34)	RJW 09-12-2005	ML	.XX	±.03
05	ADDED CONN DECAL CN13879	KJC 03-26-2003	ML	.XXX	±.005
04	REDRAWN ON CADD	RM 08-12-1991		.XXXX	±.0005
			ANG		±7'30"

ELECTRIC MOTORS
GEARMOTORS
AND DRIVES

DRAWN RM 08-12-1991
CHK ML 08-12-1991
APPD GK 08-12-1991
SCALE 1=2.75
REF
FMF
PREV

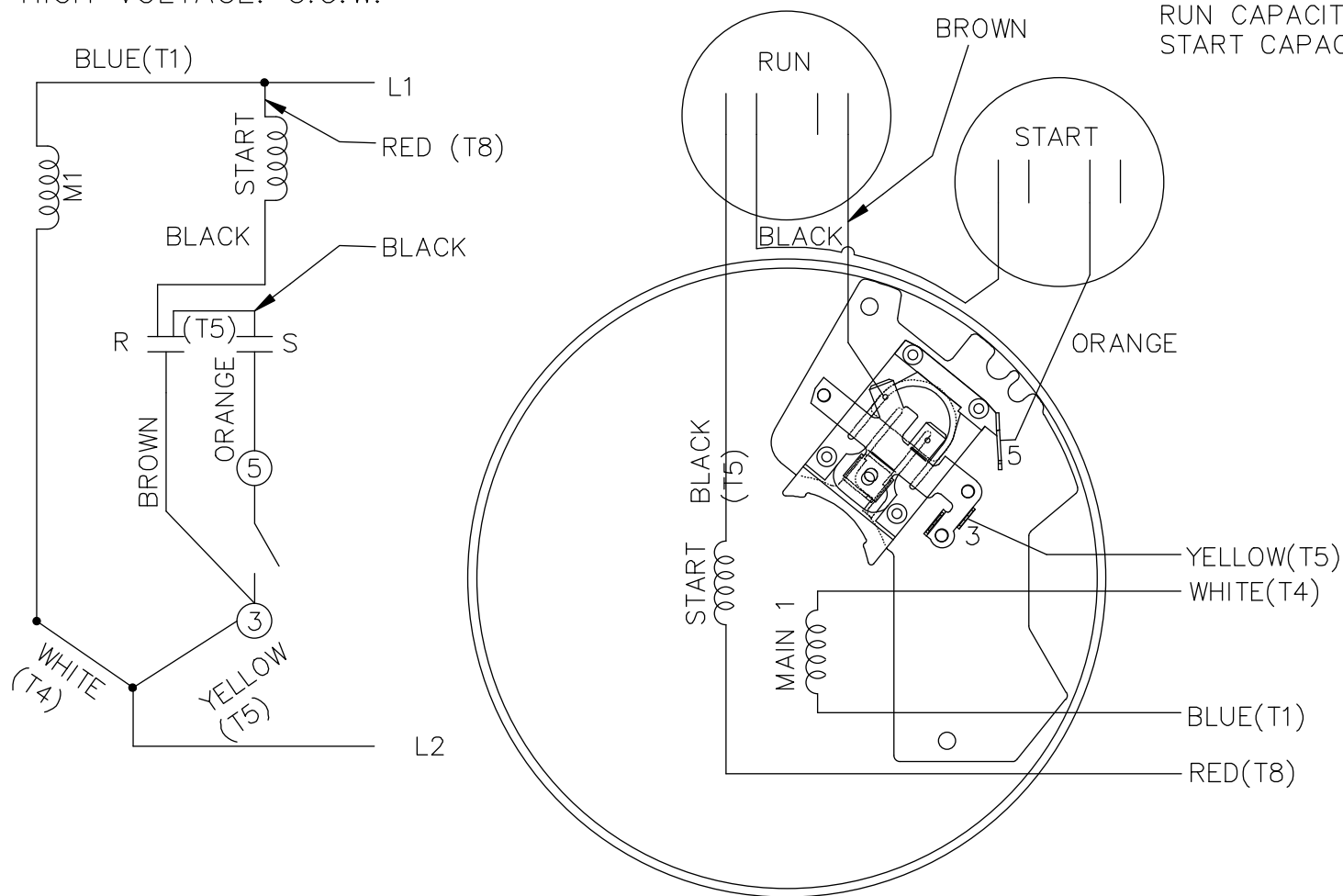
TITLE OUTLINE
140 FR. 56 HZ - TEFC 1Ø - BB

MAT'L. _____
FINISH _____

HIGH VOLTAGE:
 CAPACITOR START CAPACITOR RUN
 NO OVERLOAD SELECT ROTATION
 REMOTE MOUNTED RUN & START CAPACITOR.

RUN CAPACITOR SILVER METAL CANISTER
 START CAPACITOR BLACK PLASTIC PHENOLIC.


HIGH VOLTAGE. C.C.W.



HIGH VOLT. C.C.W. ROT.

BLUE (T1) — L1
 RED (T8) — L1
 YELLOW(T5) — L2
 WHITE (T4) — L2

FOR C.W. ROTATION
 INTERCHANGE
 RED(T8) AND
 YELLOW(T5)

				TOLERANCES UNLESS SPECIFIED		 ELECTRIC MOTORS GEARMOTORS AND DRIVES	DRAWN PST 9/02/2013
				DEC.	INCHES		CHK SK 09/02/2013
				.X	±.1		APPD
				.XX	±.02		SCALE 1:1
				.XXX	±.005		REF 102006-150LE
01		DWH		.XXXX	±.0005	MAT'L.	FMF
NO.	REVISION	BY & DATE	CHK	ANG	±'7'30"	FINISH	PREV EXSPR112637
THIS DRAWING IN DESIGN AND DETAIL IS OUR PROPERTY AND MUST NOT BE USED EXCEPT IN CONNECTION WITH OUR WORK ALL RIGHTS OF DESIGN AND INVENTION ARE RESERVED THIS IS AN ELECTRONICALLY GENERATED DOCUMENT - DO NOT SCALE THIS PRINT				RFP		CAD FILE 102006-157LE	SIZE A
				DIST LB			DRAWING NO. PAGE 1 OF 1 REV. 102006-157LE