

PRODUCT INFORMATION PACKET



Model No: 980.143B
Catalog No: 980.143
1/15HP.3000RPM.56D.IP44.24V.S1.40C.1,0SF.B14.COMMERCIAL DUTY.980.143B
Metric Motors



Regal and Leeson are trademarks of Regal Beloit Corporation or one of its affiliated companies.
©2018 Regal Beloit Corporation, All Rights Reserved. MC017097E





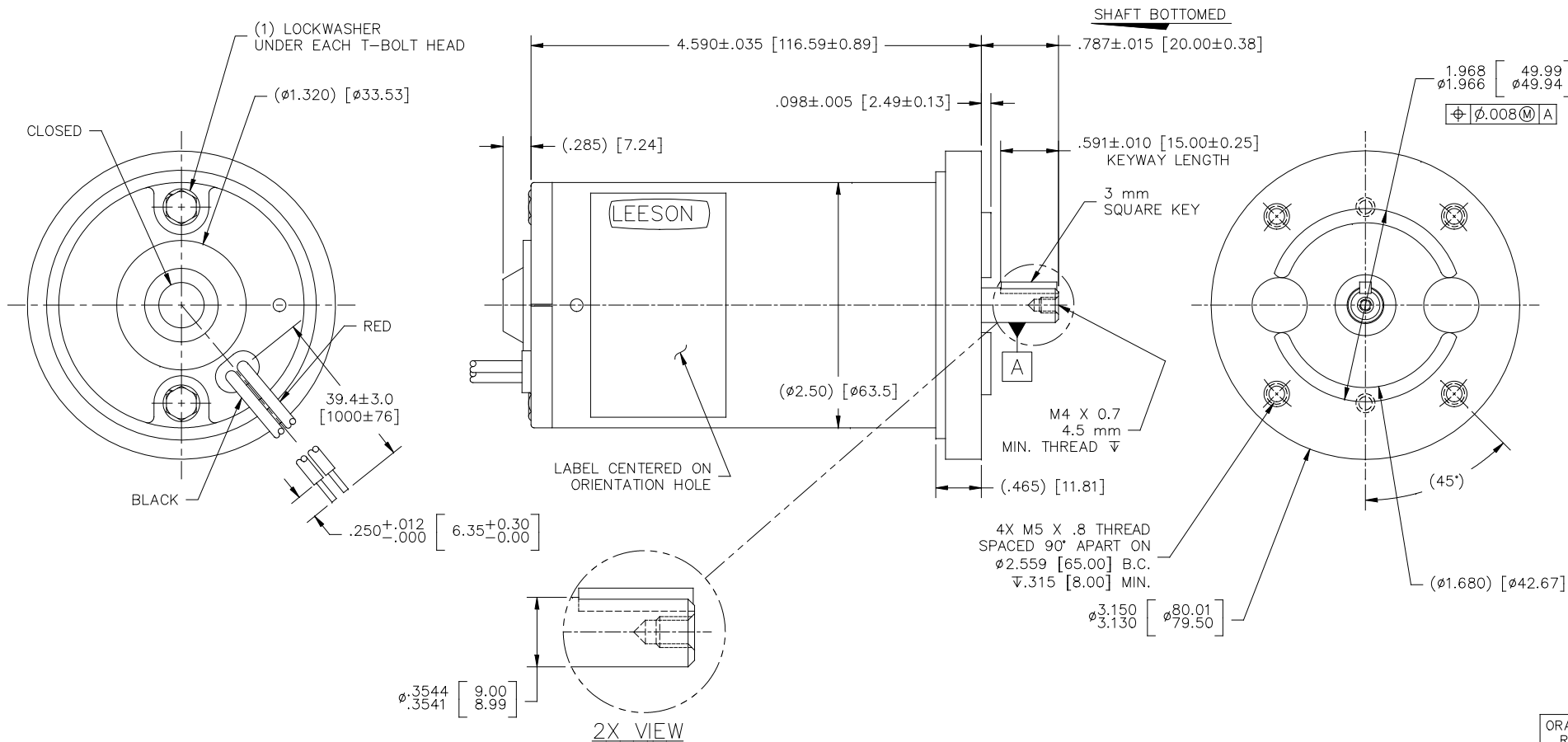
Nameplate Specifications

Output KW	0.05 kW	Voltage	24 V
Current	3.2 A	Speed	3000 rpm
Service Factor	1	Efficiency	72.8 %
Duty	S1	Insulation Class	A
Frame	56D	Enclosure	IP44
Overload Protector	No	Ambient Temperature	40 °C
UL	No	CSA	N
CE	N		

Technical Specifications

Rotation	Reversible	Mounting	B14
Overall Length	5.37 in	Frame Length	3.91 in
Shaft Diameter	0.375 in	Shaft Extension	0.787 in
Outline Drawing	980143OL		

This is an uncontrolled document once printed or downloaded and is subject to change without notice. Date Created: 10/15/2018



NOTES:

1. ROTATION: RED POSITIVE CCWSE; REVERSIBLE
2. LEADS: 18 AWG
3. END PLAY: .005--.030
4. HIPOT: 1250 VAC FOR ONE SECOND, BOTH LEADS TO CASE
5. VOLTAGE: 24 VDC
6. INSULATION: CLASS A 105°C
7. BEARING SYSTEM: SLEEVE BOTH ENDS
8. LOAD POINT: 36 oz-in @ 2900 RPM \pm 150 RPM

ORACLE
REV
003

		TOLERANCES UNLESS SPECIFIED		LEESON	ELECTRIC MOTORS GEARMOTORS AND DRIVES	DRAWN DCR 11/12/98	
DEC.	INCHES	DEC.	INCHES				
		.X	\pm .1			CHK	
		.XX	\pm .03	TITLE	OUTLINE	SCALE 1=1	
		.XXX	\pm .005		25 FRAME DC	REF SI 2897	
C	REMOVED RUBBER BAND FROM KEY, ECO-0140897	IPG	3/5/18	.XXXX	\pm .0005	MAT'L.	
NO.	REVISION	BY & DATE	CHK	ANG	\pm 1/2"	FINISH	
THIS DRAWING IN DESIGN AND DETAIL IS OUR PROPERTY AND MUST NOT BE USED EXCEPT IN CONNECTION WITH OUR WORK ALL RIGHTS OF DESIGN AND INVENTION ARE RESERVED THIS IS AN ELECTRONICALLY GENERATED DOCUMENT - DO NOT SCALE THIS PRINT				RFP	CAD FILE	9801430L	SIZE B
				DIST	DRAWING NO.	980.1430L	REV. C