

PRODUCT INFORMATION PACKET



Model No: C256K17FB1A

Catalog No: 851150.00

..15HP..1800RPM.256TZ. TEFC.208-230V.1PH.60HZ.CONT.40C.1.0SF.RIGID.....GRAIN DRYER.....

Totally Enclosed Fan Cooled (TEFC)



Regal and Leeson are trademarks of Regal Beloit Corporation or one of its affiliated companies.

©2018 Regal Beloit Corporation, All Rights Reserved. MC017097E



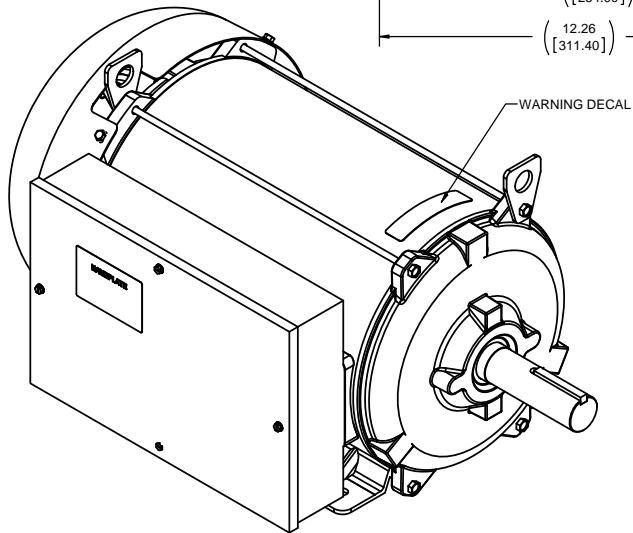
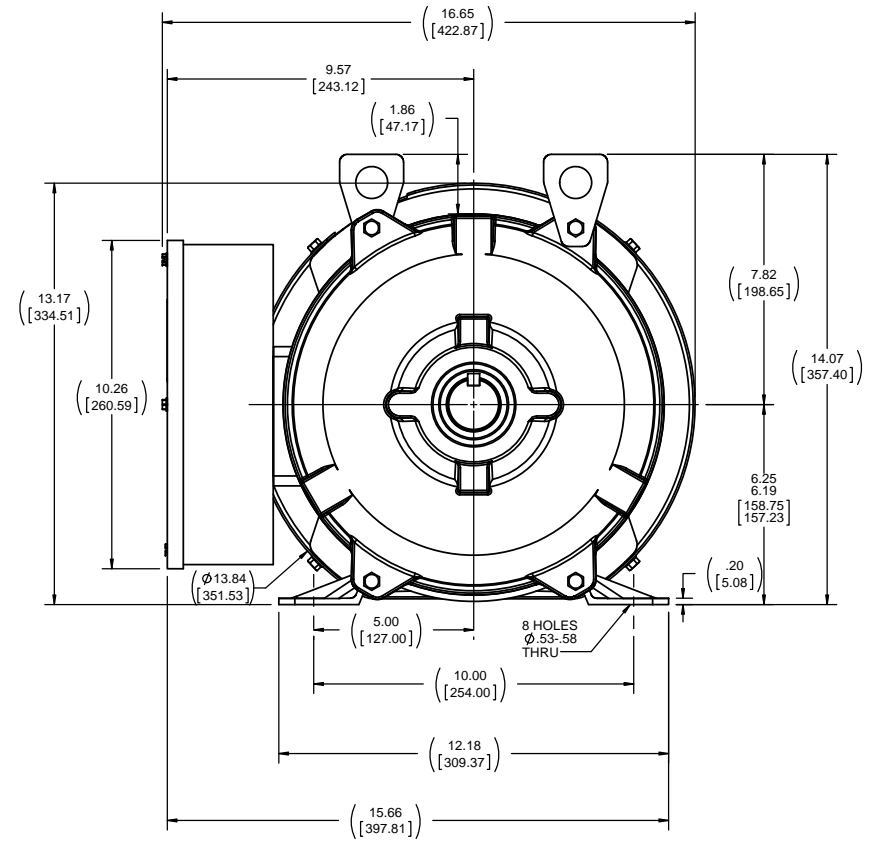
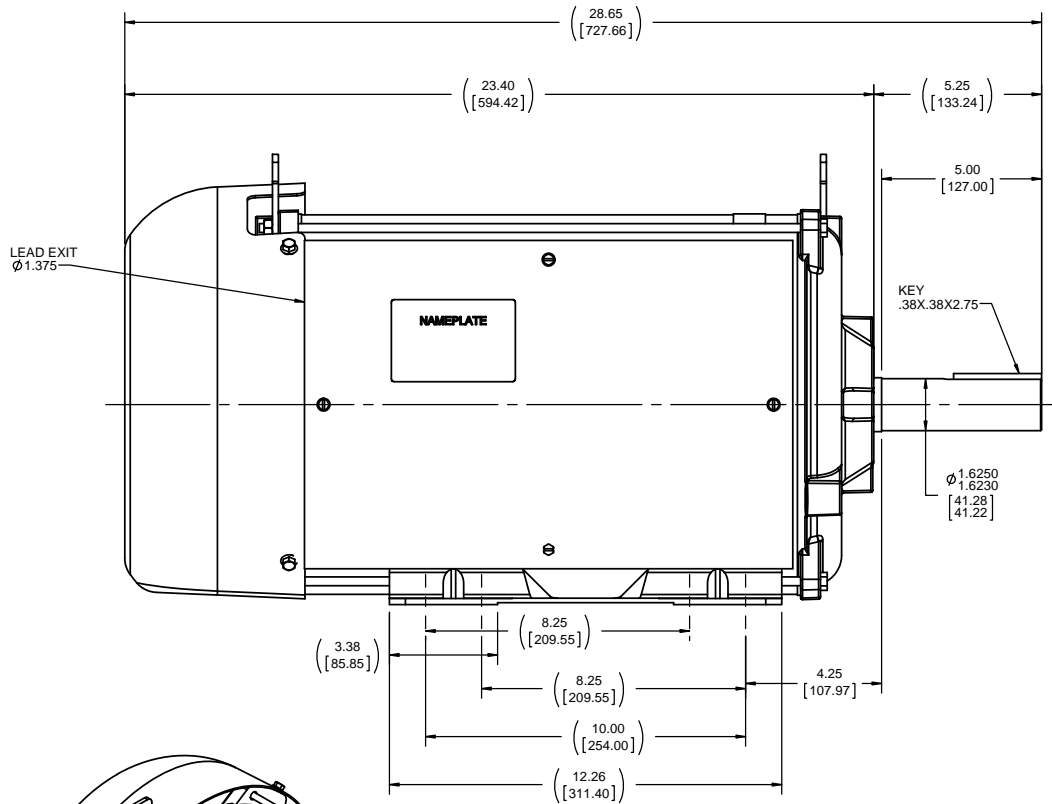


Nameplate Specifications

Output HP	15 Hp	Output KW	11.2 kW
Frequency	60 Hz	Voltage	208-230 V
Current	64.5-58.0 A	Speed	1765 rpm
Service Factor	1	Phase	1
Efficiency	89 %	Duty	Continuous
Insulation Class	F	Design Code	NO DESIGN CODE
KVA Code	F	Frame	256TZ
Enclosure	Totally Enclosed Fan Cooled	Overload Protector	No
Ambient Temperature	40 °C	Drive End Bearing Size	6309
Opp Drive End Bearing Size	6206	UL	Recognized
CSA	Y	CE	N
IP Code	43		

Technical Specifications

Electrical Type	Capacitor Start Capacitor Run	Starting Method	Across The Line
Poles	4	Rotation	Selective Counterclockwise
Mounting	Rigid base	Motor Orientation	HORIZONTAL
Drive End Bearing	BALL	Opp Drive End Bearing	BALL
Frame Material	Rolled Steel	Shaft Type	Single Special Extension
Overall Length	28.65 in	Frame Length	15.50 in
Shaft Diameter	1.625 in	Shaft Extension	5.25 in
Assembly/Box Mounting	F1 ONLY		
Outline Drawing	610-0007-001	Connection Diagram	D0000503-001



- NOTES:
 1. SPECIAL CONDUIT BOX MOUNTING
 2. MOTOR NAMEPLATE MUST HAVE WIRING DIAGRAM

DRAWING REVISION B	REVISION BY R.KAESTNER	DATE 12-19-2016	TOLERANCES UNLESS OTHERWISE SPECIFIED: DEC. INCH mm ANGLE	DRAWN BY M.PLACE	Regal Beloit America, Inc.
ECO-0108979	APPROVED BY S.LALSARE	DATE 12-19-2016	.X ±0.1 [±2.5] ±7 30° .XX ±0.03 [±0.76] .XXX ±0.005 [±0.127] .XXXX ±0.0005 [±0.0127]	DATE 07-19-2016	
ECO DESCRIPTION UPDATE NAMEPLATE ORIENTATION			REMOVE BURRS & BREAK SHARP EDGES: .003/.015 [0.076/.381] X 45° CORNER FILLETS: R.02 [.51] MACHINED SURFACES: 200/5.1 mm SHOWN IN [BRACKETS]	APPROVED BY S.LALSARE	DESCRIPTION OUTLINE 256TZ TEFC RIGID
<small>COPYRIGHT REGAL BELOIT AMERICA, INC. ALL RIGHTS RESERVED. PROPRIETARY AND CONFIDENTIAL INFORMATION - THIS DOCUMENT IS THE PROPERTY OF REGAL BELOIT AMERICA, INC. FORMERLY AND CONTAINS OWNER'S PROPRIETARY INFORMATION. ANY PERSON, CORPORATION OR OTHER FIRM RECEIVING IT IS DEEMED, BY RECEIVING IT, TO AGREE THAT IT, AND/OR ANY PART OF IT, SHALL NOT BE DISCLOSED TO ANY PERSON, CORPORATION OR OTHER ENTITY, DUPLICATED, AND/OR USED, EXCEPT AS EXPRESSLY APPROVED IN WRITING IN ADVANCE BY OWNER. THIS DOCUMENT SHALL BE RETURNED TO OWNER UPON REQUEST. IT MAY BE SUBJECT TO CERTAIN RESTRICTIONS UNDER APPLICABLE EXPORT CONTROL LAWS AND REGULATIONS.</small>			REFERENCE OLPR153548	DATE 07-20-2016	MATERIAL OLPR153548
			THIRD ANGLE PROJECTION	SIZE C	PROCESS FINISH
				DRAWING NUMBER 610-0007	SHEET 1 OF 1

