

# PRODUCT INFORMATION PACKET



Model No: 449TTTS16576AA

Catalog No: 824570.00

..250HP..1200RPM.449T.TEAO.460V.3PH.60HZ.CONT.40C.1.15SF.RIGID.....COOLING TOWER.....

Cooling Tower



Regal and Leeson are trademarks of Regal Beloit Corporation or one of its affiliated companies.

©2018 Regal Beloit Corporation, All Rights Reserved. MC017097E



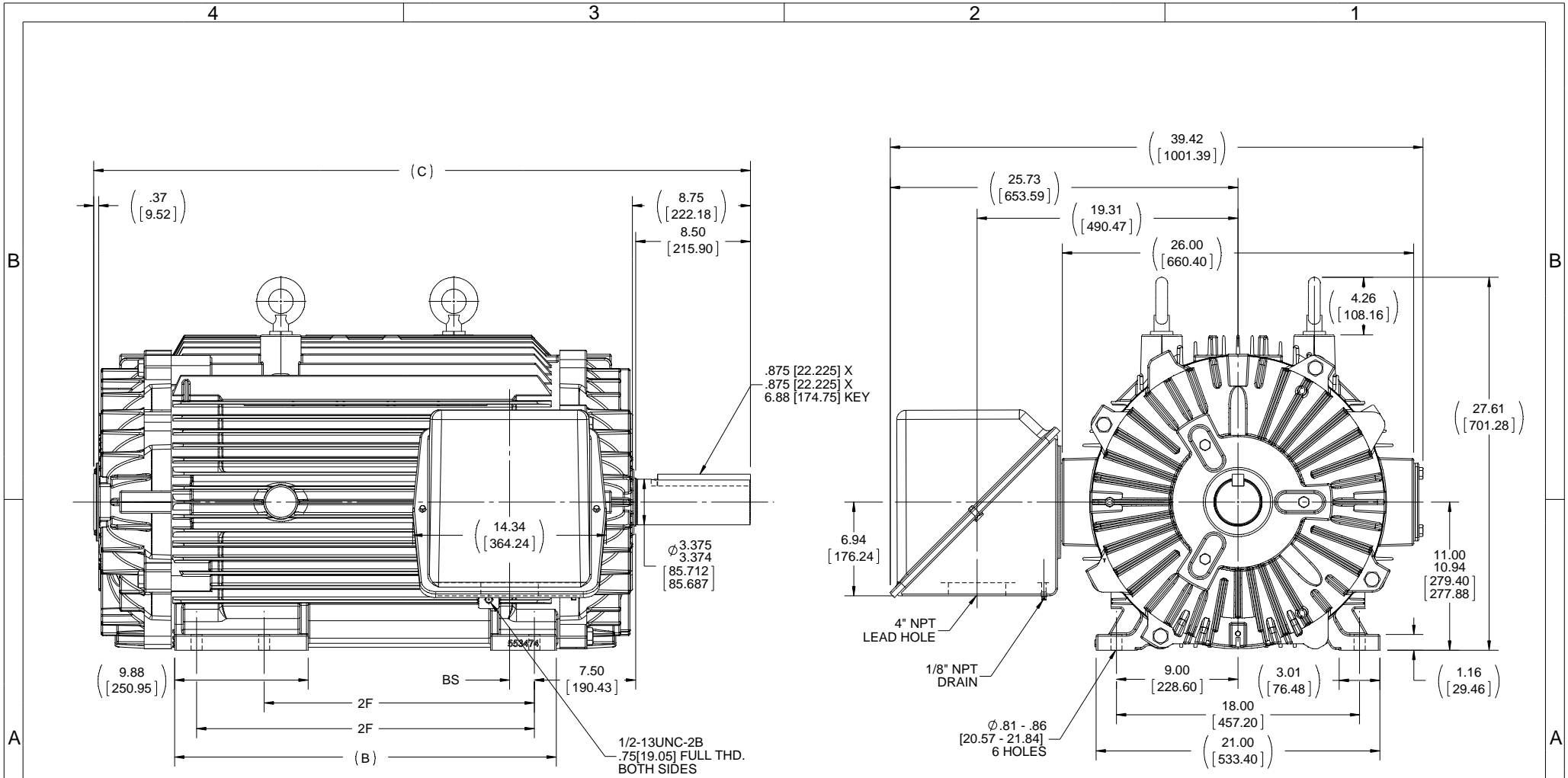


### Nameplate Specifications

Output HP	<b>250 Hp</b>	Output KW	<b>187.0 kW</b>
Frequency	<b>60 Hz</b>	Voltage	<b>460 V</b>
Current	<b>300.0 A</b>	Speed	<b>1190 rpm</b>
Service Factor	<b>1.15</b>	Phase	<b>3</b>
Efficiency	<b>95.8 %</b>	Duty	<b>Continuous</b>
Insulation Class	<b>F</b>	Design Code	<b>B</b>
KVA Code	<b>G</b>	Frame	<b>447/449TV</b>
Enclosure	<b>Totally Enclosed Air Over</b>	Overload Protector	<b>No</b>
Ambient Temperature	<b>40 °C</b>	Drive End Bearing Size	<b>6319</b>
Opp Drive End Bearing Size	<b>6318</b>	UL	<b>Recognized</b>
CSA	<b>Y</b>	CE	<b>Y</b>
IP Code	<b>56</b>		

### Technical Specifications

Electrical Type	<b>Squirrel Cage Inverter Rated</b>	Starting Method	<b>Line Or Inverter</b>
Poles	<b>6</b>	Rotation	<b>Reversible</b>
Mounting	<b>Rigid base</b>	Motor Orientation	<b>HORIZONTAL OR UP OR DOWN</b>
Drive End Bearing	<b>BALL</b>	Opp Drive End Bearing	<b>BALL</b>
Frame Material	<b>Cast Iron</b>	Shaft Type	<b>T</b>
Overall Length	<b>48.62 in</b>	Frame Length	<b>28.75 in</b>
Shaft Diameter	<b>3.375 in</b>	Shaft Extension	<b>8.75 in</b>
Assembly/Box Mounting	<b>F1/F2 CAPABLE</b>		
Outline Drawing	<b>B-SS555769LE-2875</b>	Connection Diagram	<b>A-EE7300S</b>



- NOTES:**
1. CONDUIT BOX CAN BE ROTATED IN 90° STEPS.
  2. NAMEPLATES TO BE READ FROM CONDUIT BOX SIDE OF MOTOR.

DASH	FRAME	B	C	2F	2FF	BS
2875	447T	28.25 [717.55]	48.62 [1234.95]	20.00 [508.00]	---	1.84 [46.74]
2875	449T	28.25 [717.55]	48.62 [1234.95]	---	25.00 [635.00]	1.84 [46.74]

DRAWING REVISION D	REVISION BY AJW	DATE 05-08-2015
ECO-0077392	APPROVED BY JHA	DATE 05-08-2015
ECO DESCRIPTION REMOVED "T" ON CBOX DRAIN		
<small>COPYRIGHT REGAL BELOIT AMERICA, INC. ALL RIGHTS RESERVED.                  PROPRIETARY AND CONFIDENTIAL INFORMATION - THIS DOCUMENT IS THE PROPERTY OF                  REGAL BELOIT AMERICA, INC. ("OWNER") AND CONTAINS OWNER'S PROPRIETARY                  INFORMATION. ANY PERSON, CORPORATION OR OTHER FIRM RECEIVING IT IS DEEMED,                  BY RECEIVING IT, TO AGREE THAT IT, AND/OR ANY PART OF IT, SHALL NOT BE DISCLOSED                  TO ANY PERSON, CORPORATION OR OTHER ENTITY, DUPLICATED, AND/OR USED, EXCEPT                  AS EXPRESSLY APPROVED IN WRITING IN ADVANCE BY OWNER. THIS DOCUMENT SHALL                  BE RETURNED TO OWNER UPON REQUEST. IT MAY BE SUBJECT TO CERTAIN                  RESTRICTIONS UNDER APPLICABLE EXPORT CONTROL LAWS AND REGULATIONS.</small>		

TOLERANCES UNLESS OTHERWISE SPECIFIED:			
DEC	INCH	mm	ANGLE
.X	+0.1	[+2.5]	±7° 30'
.XX	±0.03	[±0.76]	
.XXX	±0.005	[±0.127]	
.XXXX	±0.0005	[±0.0127]	
REMOVE BURRS & BREAK SHARP EDGES: .003/.015 [0.076/.381]			
CORNER FILLETS: .02 [0.51]			
MACHINED SURFACES: 200 INCH 5.1			
mm SHOWN IN [BRACKETS]			

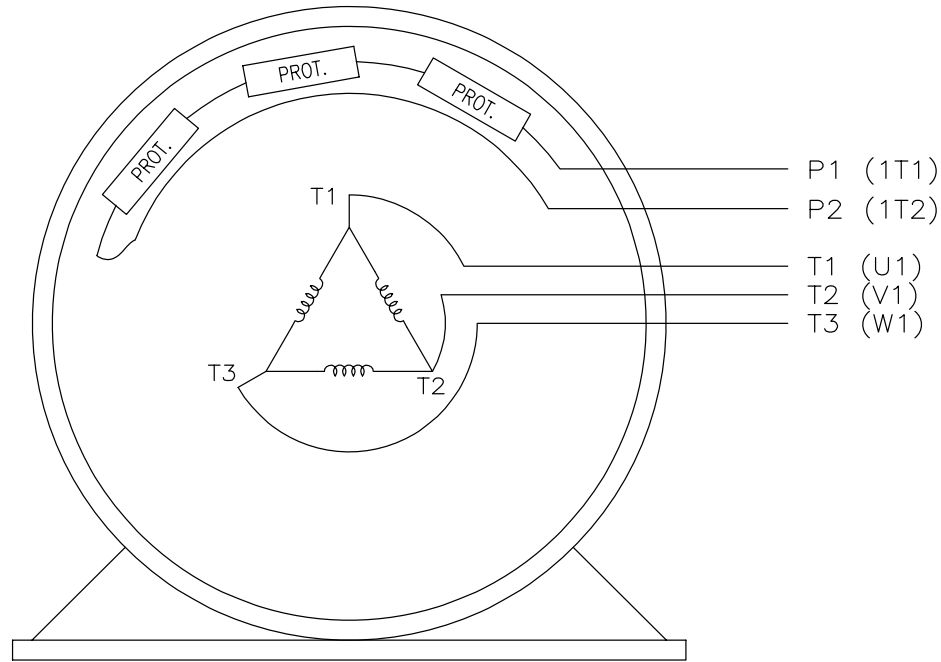
DRAWN BY HV	DATE 05-30-2013
APPROVED BY DJK	DATE 05-30-2013
REFERENCE	
THIRD ANGLE PROJECTION	

Regal Beloit America, Inc.	
DESCRIPTION	OUTLINE
	4478/9T FR. - TEAO - T DRAIN
MATERIAL	PROCESS/FINISH
SIZE B	DRAWING NUMBER SS555769LE
	SHEET 1 OF 1

EE7300S

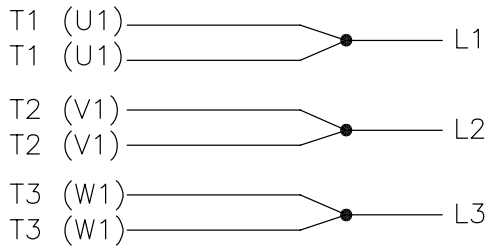
THREE PHASE – SINGLE VOLTAGE MOTOR

TO REVERSE ROTATION:  
INTERCHANGE ANY TWO LINE  
LEAD CONNECTIONS



VIEW OF TERMINAL END

IF MOTOR HAS MULTIPLE  
T'S PER LEAD CONNECT  
TOGETHER LIKE T'S



A-9806 DECAL

NO.	REVISION	BY & DATE	CHK	TOLERANCES UNLESS SPECIFIED		FINISH	DRAWN	PAGE	OF	REV.	
				DEC.	INCHES						
F	UPDATED TITLE BLOCK	HV 02-27-2014	EWB	.X	± -		KL	12-15-1999			
3	REMOVED "N.C." FROM PROT.'S MU61770	JJB 08-02-2010		.XX	± -	TITLE CONNECTION DIAGRAM – EXTERNAL SINGLE VOLTAGE 3Ø MOTOR	CHK	DJK	12-15-1999		
2	ADDED IEC MARKINGS MU61770	KL 09-16-2004	EAB	.XXX	± -		APPD	DJK	12-15-1999	SCALE	1=1
1	NEW DRAWING	KL 12-16-1999		.XXXX	± -		MAT'L			REF	
				ANG	± -				FMF		
									PREV		
THIS DRAWING IN DESIGN AND DETAIL IS OUR PROPERTY AND MUST NOT BE USED EXCEPT IN CONNECTION WITH OUR WORK ALL RIGHTS OF DESIGN AND INVENTION ARE RESERVED THIS IS AN ELECTRONICALLY GENERATED DOCUMENT – DO NOT SCALE THIS PRINT						RFP	CAD FILE ee7300s		SIZE	DRAWING NO.	
						DIST	WA-LB-SB	A	EE7300S	F	





P.O. BOX 8003  
WAUSAU, WI 54401-8003  
PH. 715-675-3311

DATA VOLTS: 460

CERTIFICATION DATA SHEET

CONN. DIAGRAM: A-EET300S  
OUTLINE: B-SS565769LE-2875  
WINDING: T449626

R8 8

CAT #: 824570.00

TYPICAL MOTOR PERFORMANCE DATA

HP	KW	SYNC RPM	FL RPM	FRAME	ENCLOSURE	TYPE	KVA CODE	DESIGN	
250	187	1200	1190	447/449TV	TEAO	TTN	G	B	
PH	HZ	VOLTS	AMPS	START TYPE	DUTY	INSL	S.F.	AMB	ELEV.
3	60/50	460#380	300#285	LINE OR INVERTER	CONT	F	1.15	40	3300
F.L. EFF	95.8	3/4 LD EFF	96.0	1/2 LD EFF	95.4	GTD EFF	95.4	ELECT. TYPE	
F.L. PF	81.0	3/4 LD PF	79.0	1/2 LD PF	70.0	95.4	SQ CAGE INVERTED		
F.L. TORQUE	LR AMPS @ 460 V	L.R. TORQUE	B.D. TORQUE	F.L. RISE (°C)					
1.103 LB-FT	1.825	1.825 LB-FT	165%	2,825 LB-FT	256%	0			
PRESSURE @ 3	POWER	ROTOR WK²	MAX. LOAD WK²	SAFE STALL TIME	STARTS/HOUR	MOTOR WGT			
999 DBA	1008 DBA	138 LB-FT²	3600 LB-FT²	25 SEC.	2	3150 LB.			

\*\*\* SUPPLEMENTAL INFORMATION \*\*\*

DE BRACKET TYPE	ODE BRACKET TYPE	MOUNT TYPE	MOTOR ORIENTATION	SEVERE DUTY	HAZARDOUS LOCATION	DRIIP COVER	SCREENS	PAINT
STANDARD	STANDARD	RIGID	ZONIAL OR UP OR DWN	SEVERE	NONE	NO	NONE	UE - LEESON (EPO)
BEARINGS	GREASE	SHAFT TYPE	SPECIAL DE	SPECIAL ODE	SHAFT	MATERIAL	FRAME MATERIAL	
DE ODE	BALL	POLYREX EM	T	NONE	1045 HOT ROLLED (C-204)	CAST IRON		
6319	6318							
THERMOSTATS	PROTECTORS	WDG RTD's	BRG RTD's	THERMISTORS	CONTROL	SPACE HEATERS		
TSTATS (N/C)	NOT	NONE	NONE	NONE	FALSE	NA		
R1 (ohms/ph)	R2 (ohms/ph)	X1 (ohms/ph)	X2 (ohms/ph)	Xm (ohms/ph)	VIBRATION (in/sec)	FLOAT		
0.008	0.008	0.096	0.129	2.177	0.080	ODE		

* N O T E S *		INVERTER TORQUE: VARIABLE 10:1	
		INV. HP SPEED RANGE: NONE	
		ENCODER: NONE	
		BRAKE: NONE	
		FT-LB: NONE	
		VOLTAGE: NA	
		UL: Y-(LEESON UL REC)	

DATE:	1/29/2018	FT-LB:	NA	INVERTER TORQUE:	VARIABLE 10:1
		VOLTAGE:	NONE	INV. HP SPEED RANGE:	NONE
		UL:	Y-(LEESON UL REC)	ENCODER:	NONE
				BRAKE:	NONE
				FT-LB:	NONE
				VOLTAGE:	NA
				UL:	Y-(LEESON UL REC)



Motor Load Data

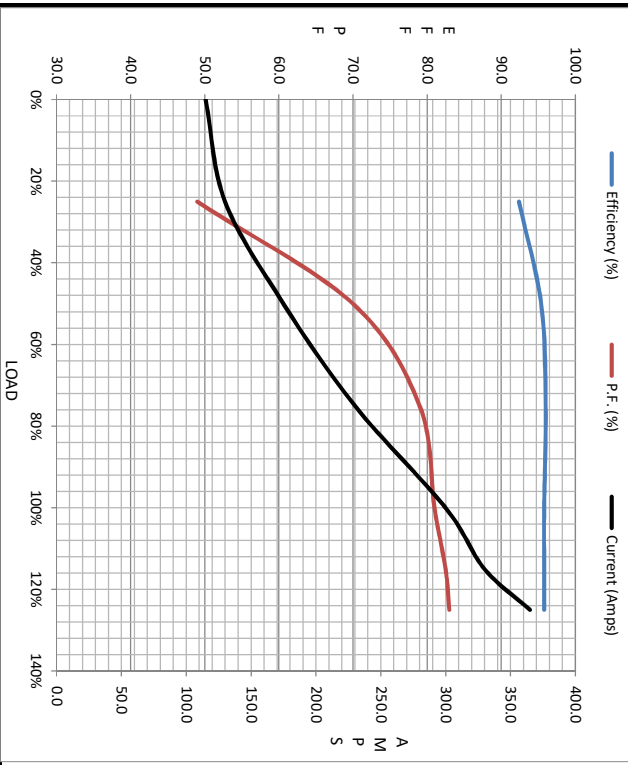
Load	0%	25%	50%	75%	100%	115%	125%	LR
Current (Amps)	115	130	175	230	300	330	365	1,825
Torque (ft-lb)	0.00	275	550	825	1,103	1,245	1,385	1,825
RPM	1200	1196	1194	1192	1190	1,188	1,186	0
Efficiency (%)		92.4	95.4	96.0	95.8	95.8	95.8	
P.F. (%)	3.5	49.0	70.0	79.0	81.0	82.5	83.0	23.0

Motor Speed Data

	LR	Pull-Up	BD	Rated	Idle
Speed (RPM)	0	600	1150	1190	1200
Current (Amps)	1,825	1,700	1,125	300	115
Torque (ft-lb)	1,825	1,700	2,825	1,103	0.00

Information Block

HP	250.0
Sync. RPM	1200
Frame	449
Enclosure	TEAO
Construction	TTN
Voltage	460#380 V
Frequency	60 Hz
Design	B
LR Code letter	G
Service Factor	1.15
Temp Rise @ FL	0 °C
Duty	CONT
Ambient	40 °C
Elevation	1,000 feet
Rotor/Shaft wk <sup>2</sup>	138 lb-Ft <sup>2</sup>
Ref Wdg	T449626 R8
Sound Pressure @ 1M	999 dBA
VFD Rating	VARIABLE 10:1
Outline Dwg	B-SS555789LE-2875
Conn. Diag	A-EE7300S
Additional Specifications:	
0	
EQUIV CKT (OHMS / PHASE)	
R1	R2
0.0080	0.0080
X1	X2
0.0960	0.1290
Xm	2.1770



Speed - Torque Curve

