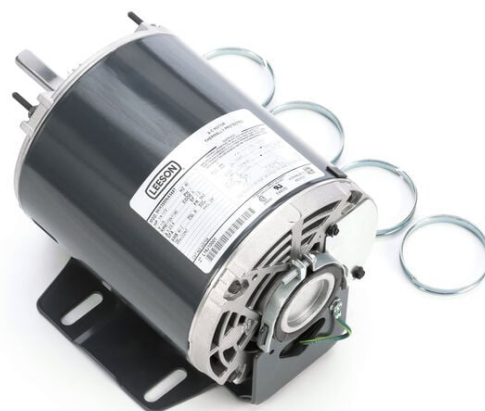


# PRODUCT INFORMATION PACKET



Model No: 5KH35MNA568T  
Catalog No: HG704  
Fan and Blower Motor, 1/4-1/12 HP, 1 Ph, 60 Hz, 115 V, 56Z Frame, DP



Regal and LEESON are trademarks of Regal Rexnord Corporation or one of its affiliated companies.  
©2025 Regal Rexnord Corporation, All Rights Reserved. MC017097E





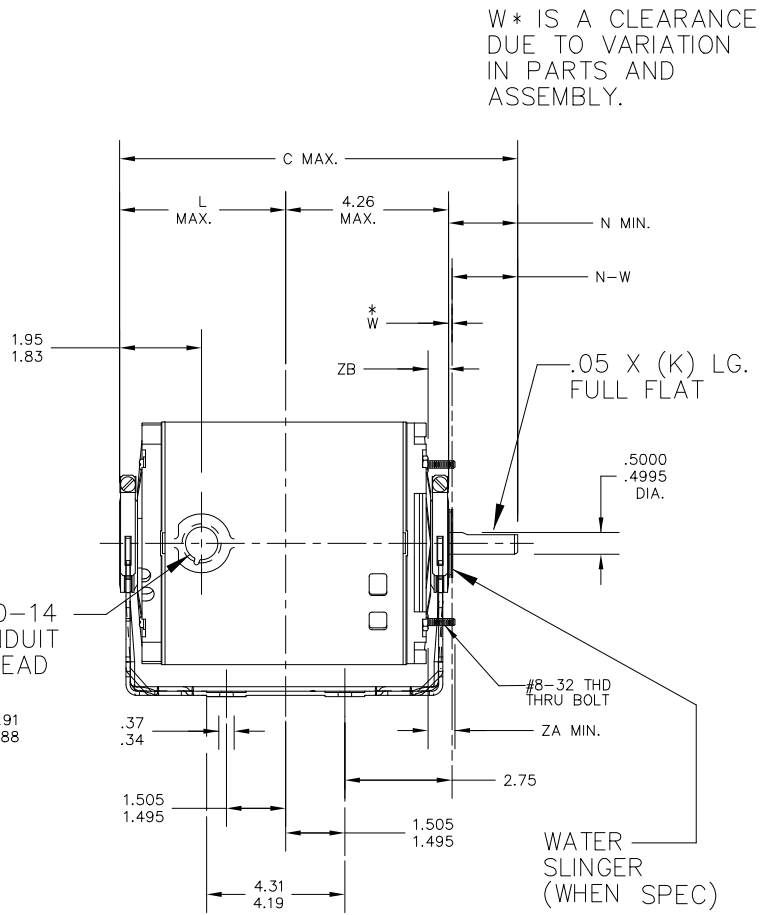
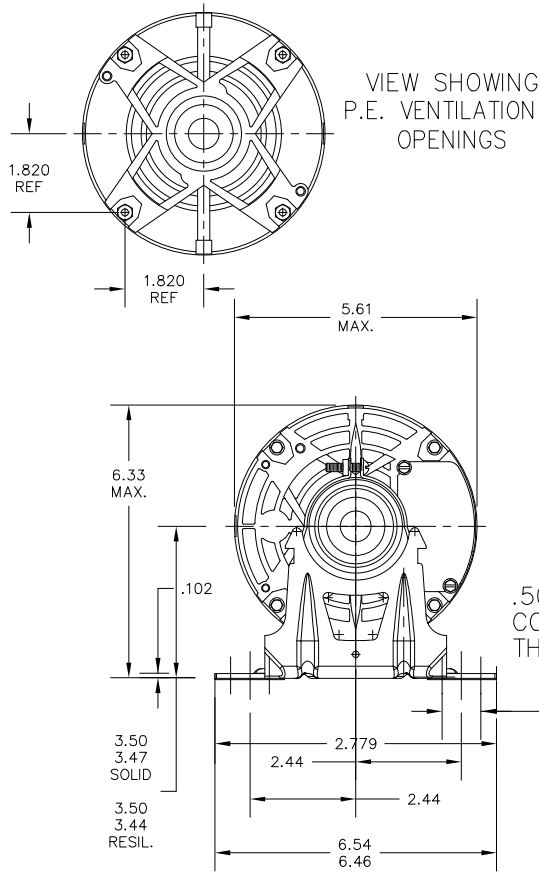
### Nameplate Specifications

Phase	1	Output HP	1/4-1/12 Hp
Output KW	0.19 kW	Voltage	115 V
Speed	1725/1140 rpm	Service Factor	1.0
Frame	56Z	Enclosure	Drip Proof
Thermal Protection	Automatic	Ambient Temperature	40 °C
Frequency	60 Hz	Current	5.2/2.8 A
Power Factor	0	Duty	Continuous
Insulation Class	B	KVA Code	S
Drive End Bearing Size	6203	Opp Drive End Bearing Size	6203
UL	Recognized ( Not Protector)	CSA	Y
CE	N		

### Technical Specifications


Electrical Type	Split Phase	Starting Method	Across The Line
Poles	4	Rotation	Selective Clockwise
Motor Orientation	Any	Drive End Bearing	Ball
Opp Drive End Bearing	Ball	Frame Material	Rolled Steel
Shaft Type	Special Extension	Shaft Diameter	0.500 in
Outline Drawing	52A106985P3	Connection Drawing	52A109225

This is an uncontrolled document once printed or downloaded and is subject to change without notice. Date Created:11/13/2025



W\* IS A CLEARANCE DUE TO VARIATION IN PARTS AND ASSEMBLY.

5	KH	38	56Z	11.61	1.50	5.23	2.00	2.13/1.91	.62	.55/.52
4	KH	33	56Z	9.19	1.16	3.48	1.50	1.63/1.41	.15	.55/.52
3	KH	35	56Z	10.18	1.50	3.80	2.00	2.13/1.91	.62	.55/.52
2	KH	37	56Z	11.01	1.50	4.63	2.00	2.13/1.91	.62	.55/.52
1	KH	33	56Z	9.19	1.16	3.48	1.50	1.63/1.41	.62	.55/.52
P	TYPE	RBC SIZE	NEMA FR	C	K	L	N	N-W	ZA	ZB

				TOLERANCES UNLESS SPECIFIED		 <b>REGAL-BELOIT CORPORATION</b>				DRAWN MAM 10/14/89	
				DEC.	INCHES					CHK	
				.X	±0.1	APPD DS 09/03/2014					
K	BASE CHANGED AS PER ECR-0224925		MP 06/19/23	.XX	±0.02	TITLE <b>OUTLINE</b> FORM N - GENERAL PURPOSE MOTOR -DRIP				SCALE 1=1	
J	ECS DIMENSIONS ADDED PER ECO-0059212		JAH 09/3/2014	DS	.XXX					REF	
8	CHG. TO RBC FORMAT PER ISO5-1777		ARC 02/15/06	ARC	.XXXX	MAT'L. FINISH				FMF	
NO.	REVISION		BY & DATE	CHK	ANG					PREV	
THIS DRAWING IN DESIGN AND DETAIL IS OUR PROPERTY AND MUST NOT BE USED EXCEPT IN CONNECTION WITH OUR WORK ALL RIGHTS OF DESIGN AND INVENTION ARE RESERVED THIS IS AN ELECTRONICALLY GENERATED DOCUMENT - DO NOT SCALE THIS PRINT				RFP	CAD FILE 52A106985		SIZE	DRAWING NO.		REV.	
				DIST			A	52A106985		J	

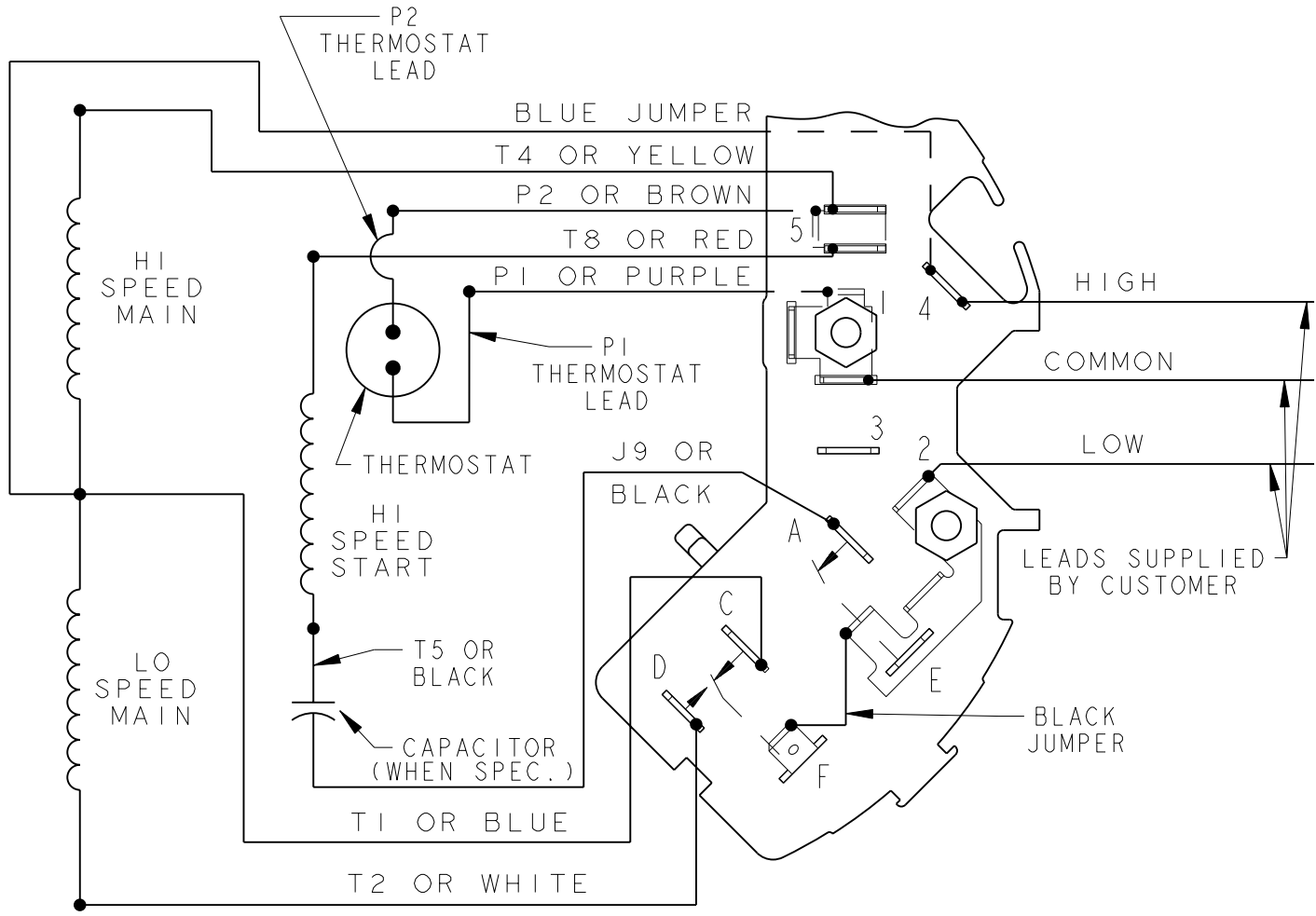


SHEET —	THIRD ANGLE PROJECTION	REVISIONS			
		REV.	DESCRIPTION	DATE	APPROVED
REV 3		3	UPDATED TO RBC FORMAT	01/12/06	MAM

52A109225

SIZE DRAWING NO.  
A

EITHER ROTATION  
SINGLE VOLTAGE  
TYPE KC OR KH  
WITH THERMOSTAT - 2 SPEED  
POLE CHANGING - SERIES CONNECTION



- NOTE #1 - WHEN MORE THAN ONE CAPACITOR IS USED CONNECT IN PARALLEL.
- NOTE #2 - TO REVERSE ROTATION, INTERCHANGE RED (T8) AND BLACK (J9-KC OR T5-KH) LEADS.

SWITCH - 115D958CC	
REF. DIAG. - NONE	CONNECTION LABEL - 52X333093

FOR ADDITIONAL INFO REFER TO: APPLIED PRACTICES DIMENSIONS ARE IN INCHES ✓ MATERIAL	SIGNATURES	DATE
	MODEL M.D.P.	04/13/94
	DETAIL . . .	. . .
	CHECKED . . .	. . .
	ENGRG . . .	. . .
	MFG . . .	. . .
QUALITY . . .	. . .	SIZE DRAWING A
ISSUED M.D.P.	04/13/94	
SOLID MODEL: 52A109225	SCALE: 1.000	

**REGAL-BELOIT CORPORATION**

**TITLE CONNECTION DIAGRAM**

**FMF:**

52A109225	REV 3
REF. No: .	SHEET 1 of 1

