

# PRODUCT INFORMATION PACKET



Model No: 5KH35MNA519T  
Catalog No: HG703  
Fan and Blower Motor, 1/2 HP, 1 Ph, 60 Hz, 115 V, 48Y Frame, OPEN



Regal and LEESON are trademarks of Regal Rexnord Corporation or one of its affiliated companies.  
©2025 Regal Rexnord Corporation, All Rights Reserved. MC017097E





### Nameplate Specifications

Phase	1	Output HP	1/2 Hp
Output KW	0.37 kW	Voltage	115 V
Speed	1725 rpm	Service Factor	1.25
Frame	48Y	Enclosure	Open Enclosed
Thermal Protection	Automatic	Ambient Temperature	40 °C
Frequency	60 Hz	Current	7.9 A
Power Factor	0	Duty	Continuous
Insulation Class	B	KVA Code	N
Drive End Bearing Size	6203	Opp Drive End Bearing Size	6203
UL	Recognized ( Not Protector)	CSA	Y
CE	N		

### Technical Specifications

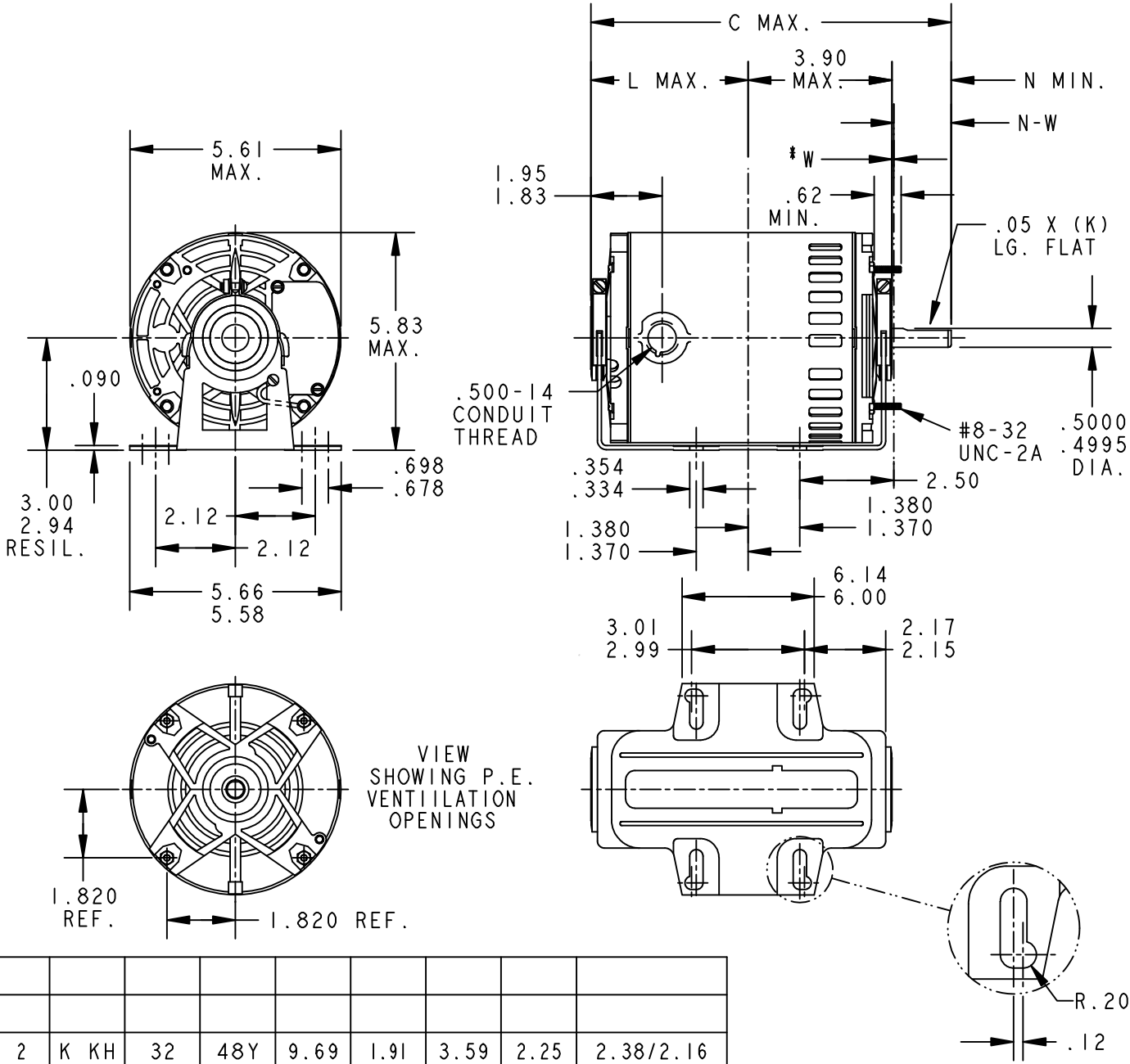
Electrical Type	Split Phase	Starting Method	Across The Line
Poles	4	Rotation	Selective Clockwise
Motor Orientation	Any	Drive End Bearing	Ball
Opp Drive End Bearing	Ball	Frame Material	Rolled Steel
Shaft Type	Special Extension	Shaft Diameter	0.500 in
Outline Drawing	52A113024P1	Connection Drawing	52A105379AA

This is an uncontrolled document once printed or downloaded and is subject to change without notice. Date Created:11/13/2025

SHEET —	THIRD ANGLE PROJECTION	REVISIONS			
		REV.	DESCRIPTION	DATE	APPROVED

REV  
52A113024 0

SIZE DRAWING NO.  
A



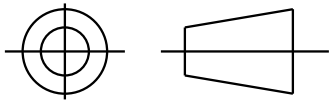
2	K KH	32	48Y	9.69	1.91	3.59	2.25	2.38/2.16	
1	K KH	35	48Y	10.32	1.91	4.22	2.25	2.38/2.16	
P	TYPE	RBC SIZE	NEMA FR	C	K	L	N	N-W	

W\* IS A CLEARANCE DUE TO VARIATION IN PARTS AND ASSEMBLY.

FOR ADDITIONAL INFO REFER TO: APPLIED PRACTICES DIMENSIONS ARE IN INCHES	SIGNATURES		DATE	<p><b>REGAL-BELOIT CORPORATION</b></p> <p>TITLE <b>OUTLINE</b></p> <p><b>FORM N - GENERAL PURPOSE MOTOR - DRIP PROOF - RESIL.</b></p> <p><b>BASE - BALL OR SLEEVE BEARING - SPECIAL MOUNTING HOLES IN BASE</b></p>
	MODEL	PRAVEEN.K	01/03/08	
	DETAIL	.	.	
	CHECKED	.	.	
	ENGRG	.	.	SIZE DRAWING
	MFG	.	.	<b>52A113024</b>
	QUALITY	.	.	REV
	ISSUED	PRAVEEN.K	01/03/08	<b>0</b>
MATERIAL	SOLID MODEL: 52A113024			SCALE: 1.000 REF. No: .
				SHEET 1 of 1

SHEET 1  
REV 6  
52A105379AA  
SIZE DRAWING NO. A

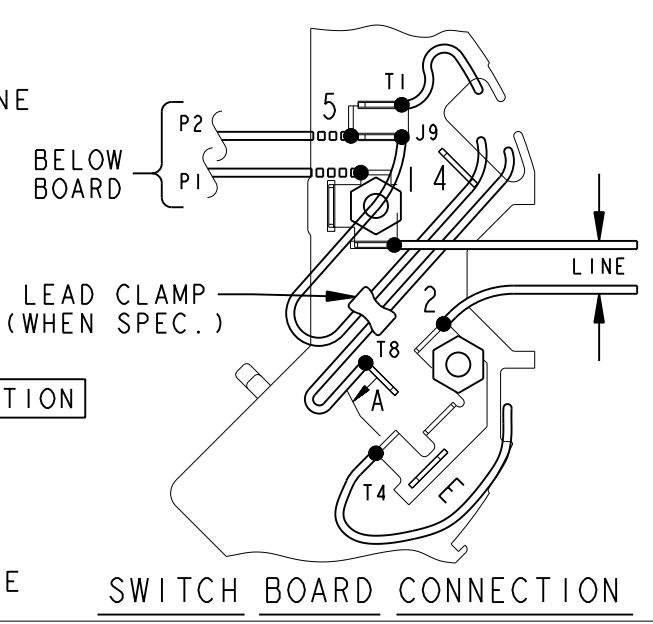
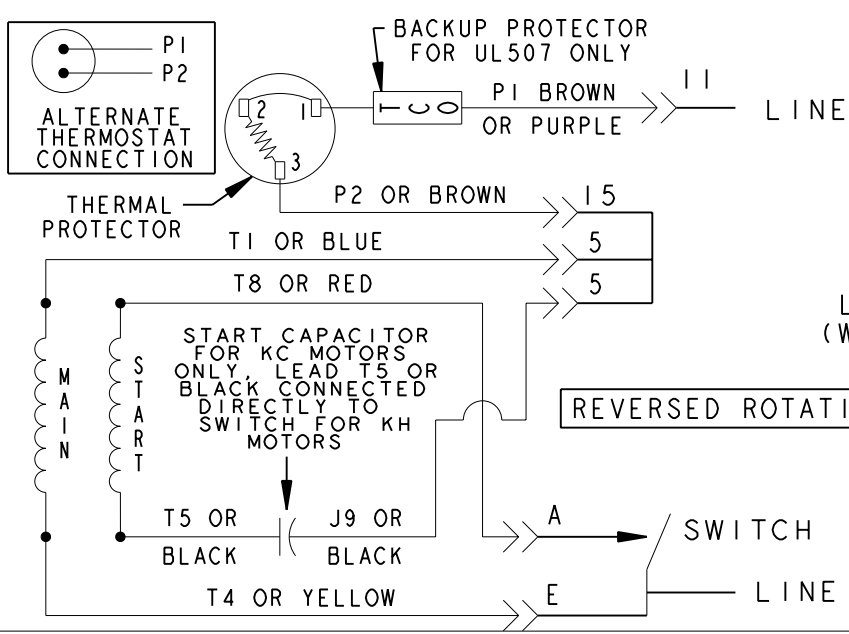
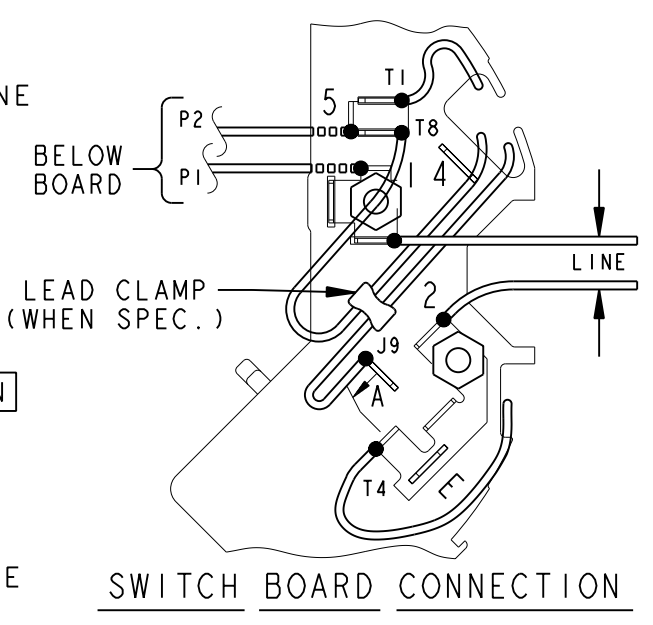
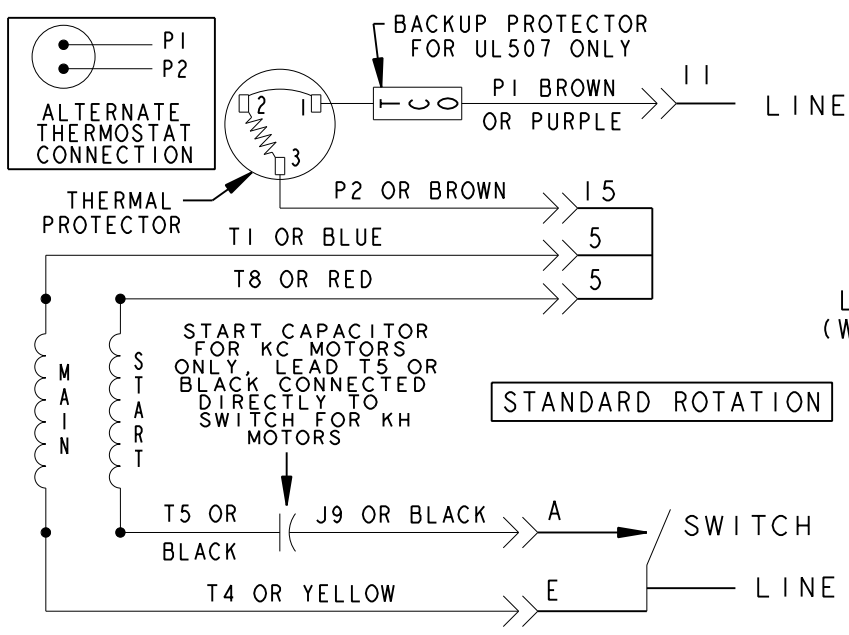
THIRD ANGLE PROJECTION



REVISIONS

REV.	DESCRIPTION	DATE	APPROVED
6	UPDATED FORMAT	12/01/05	MAM

EITHER ROTATION-SINGLE VOLTAGE-TYPE KC OR KH-WITH THERMAL PROTECTOR



NOTE #1 - TO REVERSE ROTATION INTERCHANGE RED (T8) AND BLACK (J9-KC OR T5-KH) LEADS.  
NOTE #2 - WHEN MORE THAN ONE CAPACITOR IS USED CONNECT IN PARALLEL.

SWITCH (C) - 115D958AB      REF. DIAG. - 121A851      CONN. LABEL - 52X332048

SIGNATURES		DATE
MODEL	M. D. PAPE	06/29/87
DETAIL	.	.
CHECKED	.	.
ENGRG	.	.
MFG	.	.
FOR ADDITIONAL INFO REFER TO:	QUALITY	.
APPLIED PRACTICES	ISSUED	M. D. P. 03/08/00
DIMENSIONS ARE IN INCHES ✓	SOLID MODEL: 52A105379AA	

**REGAL-BELOIT CORPORATION**

**CONNECTION DIAGRAM**

**FMF - 30 FR SWITCH REDESIGN**

SIZE DRAWING: A

SCALE: 1.000      REF. No: .

**52A105379AA**      REV 6

SHEET 1 of 1