

PRODUCT INFORMATION PACKET



Model No: 5KCP35CNA490S

Catalog No: PG240

Fan and Blower Motor, 1/20 HP, 1 Ph, 60/50 Hz, 115/200-230 V, 48Z Frame, TENV



Regal and LEESON are trademarks of Regal Rexnord Corporation or one of its affiliated companies.
©2025 Regal Rexnord Corporation, All Rights Reserved. MC017097E





Nameplate Specifications

Phase	1	Output HP	1/20 Hp
Output KW	0.04 kW	Voltage	115/200-230 V
Speed	1625/1350 rpm	Service Factor	1.50
Frame	48Z	Enclosure	Totally Enclosed Non Ventilated
Thermal Protection	Automatic	Ambient Temperature	65 °C
Frequency	60/50 Hz	Current	1.5/0.7-0.8 A
Power Factor	0	Duty	Continuous
Insulation Class	B	KVA Code	J
Drive End Bearing Size	6203	Opp Drive End Bearing Size	6203
UL	Recognized	CSA	Y
CE	N		

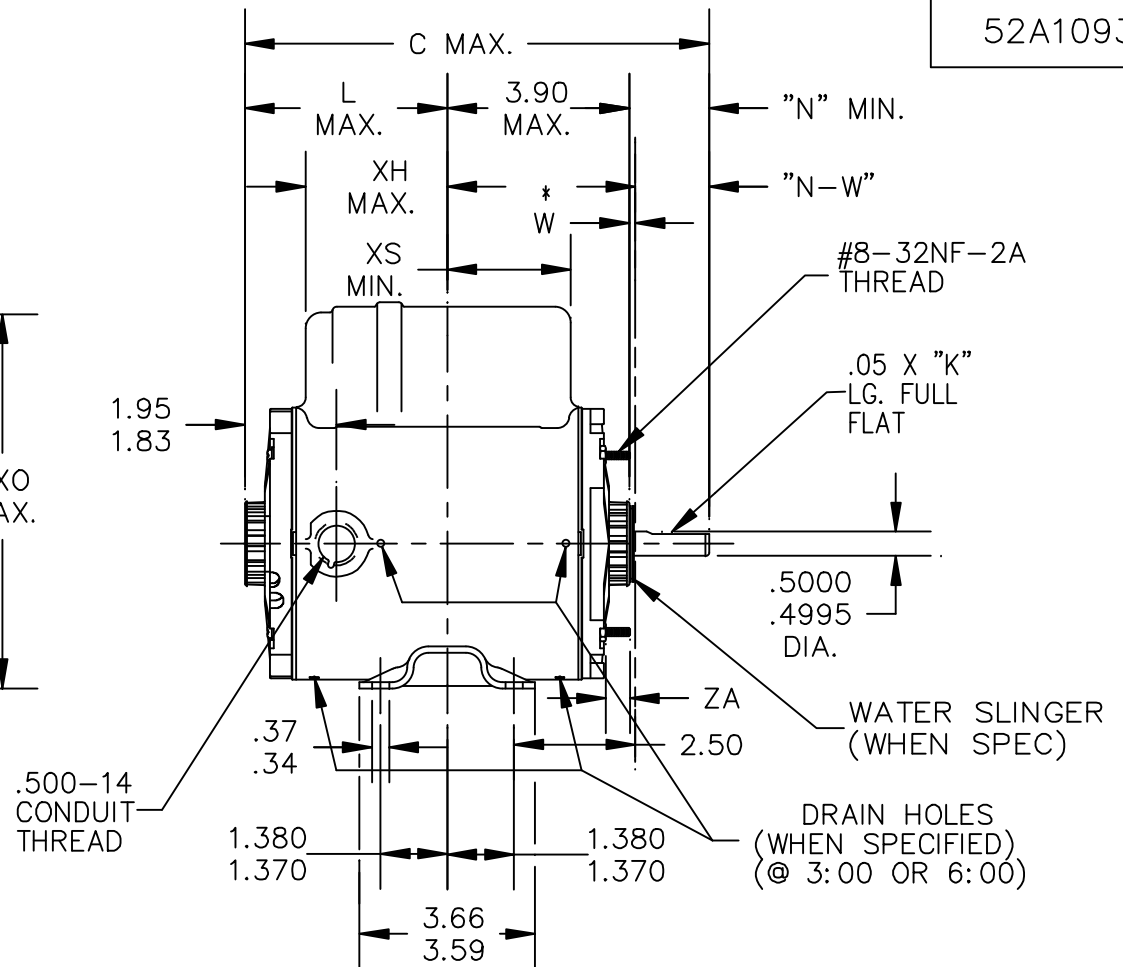
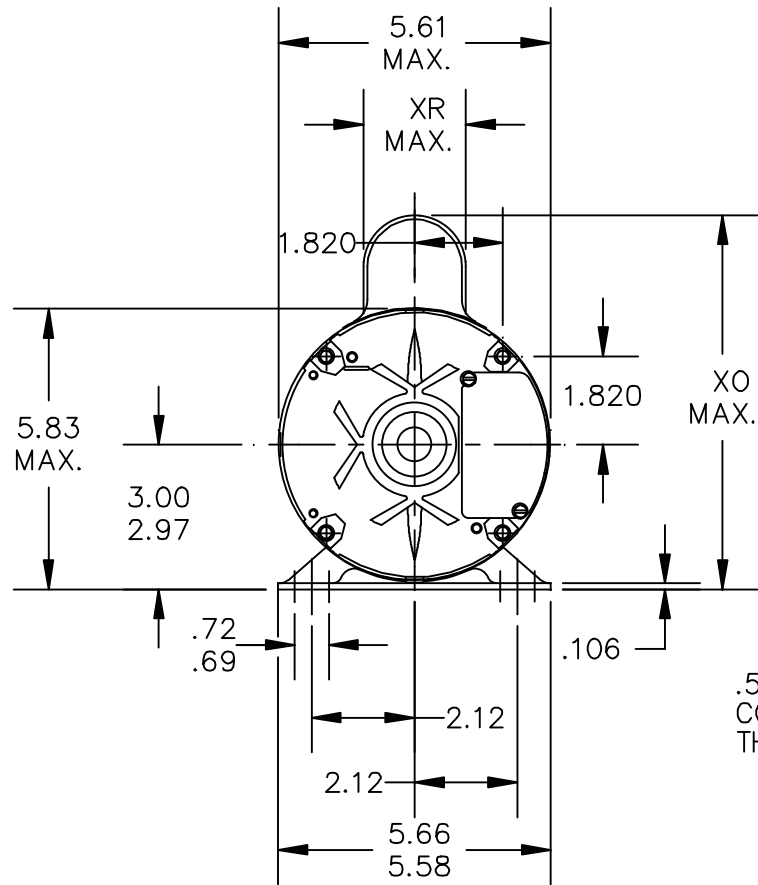
Technical Specifications

Electrical Type	Permanent Split Capacitor	Starting Method	Across The Line
Poles	4	Rotation	Selective Counterclockwise
Motor Orientation	Any	Drive End Bearing	Ball
Opp Drive End Bearing	Ball	Frame Material	Rolled Steel
Shaft Type	Special Extension	Shaft Diameter	0.500 in
Outline Drawing	52A109351P2	Connection Drawing	52A105383CD

This is an uncontrolled document once printed or downloaded and is subject to change without notice. Date Created:11/13/2025

W* IS A CLEARNCE DUE TO VARIATION IN PARTS AND ASSEMBLY.

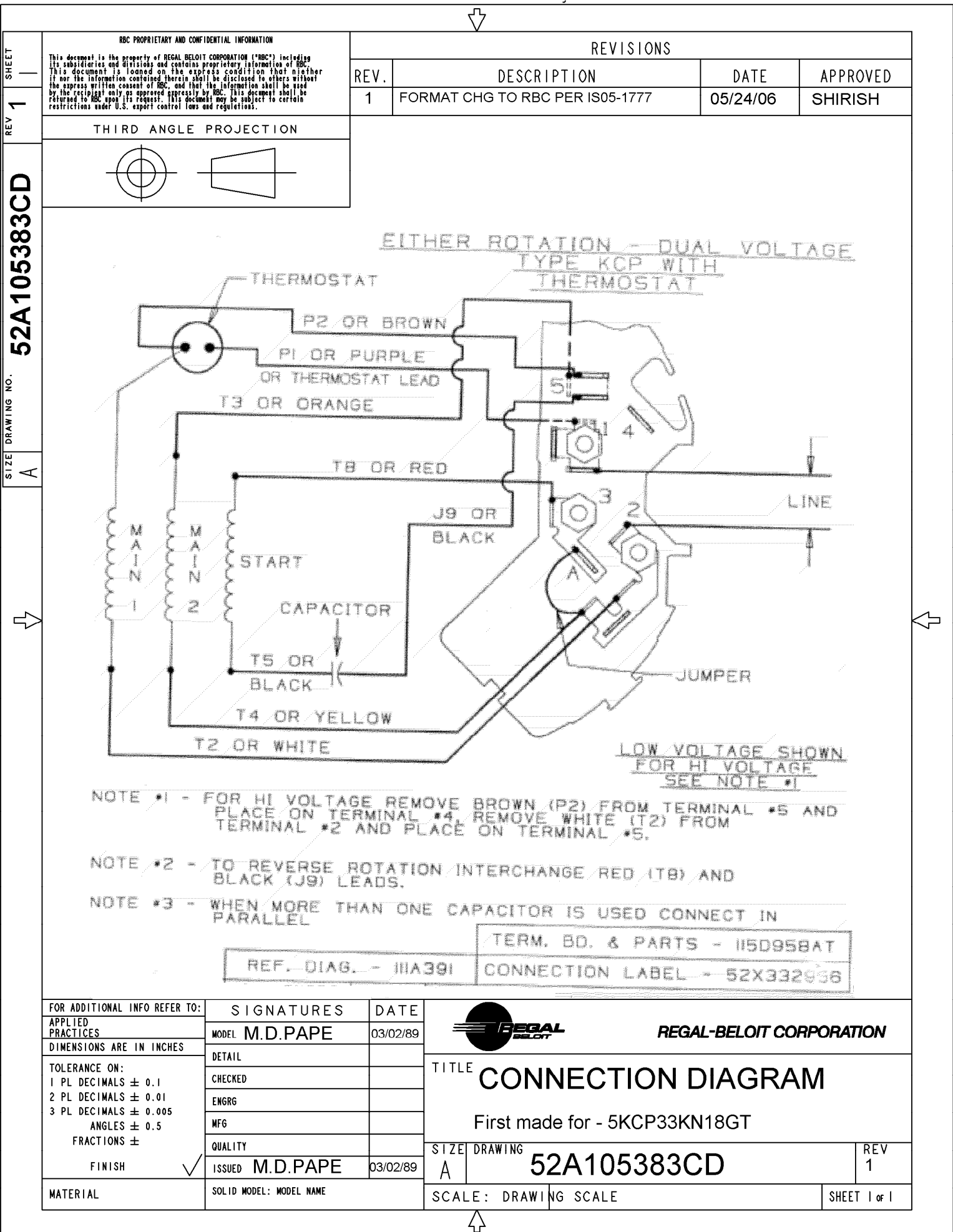
52A109351



3	KCP	35	48Z	10.32	4.22	2.25	2.38/2.16	1.16	2.98	2.70	2.22	7.93	.62
2	KCP	35	48Z	10.32	4.22	2.25	2.38/2.16	1.91	2.98	2.70	2.22	7.93	.50
1	KCP	35	48	9.57	4.22	1.50	1.63/1.41	1.16	2.98	2.70	2.22	7.93	.00
P	TYPE	RBC SIZE	NEMA FR	C	L	"N" MIN.	"N-W"	K	XH	XS	XR	XO	"ZA" MIN.

				TOLERANCES UNLESS SPECIFIED		REGAL-BELOIT CORPORATION		DRAWN MAM 10/11/93	
				DEC.	INCHES	REGAL-BELOIT CORPORATION		CHK	
6	RE DRAWN IN DRAFTSIGHT -NO CHANGES	UD 09/08/12	.X	±0.1	TITLE		OUTLINE		APPD MAM 10/11/93
5	CHG TO RBC FORMAT PER ISO5-1777	SUD 3/13/06	.XX	±0.02	TENV -WELDED BASE FMF: 5KCP35KNA481		SCALE 1=1		REF
4	ADDED PART #3.	M.D.P12/07/00	.XXX	±0.005	MAT'L.		PREV		
3	ADD DRAIN HOLES @3:00 (T195-21588)	M.A.M 1/20/95	.XXXX	±0.0005	FINISH				
NO.	REVISION	BY & DATE	CHK	ANG	±1.0	FINISH	SIZE	DRAWING NO.	REV.
			RFP			CAD FILE 52A109351	A	52A109351	6
			DIST						

THIS DRAWING IN DESIGN AND DETAIL IS OUR PROPERTY AND MUST NOT BE USED EXCEPT IN CONNECTION WITH OUR WORK ALL RIGHTS OF DESIGN AND INVENTION ARE RESERVED THIS IS AN ELECTRONICALLY GENERATED DOCUMENT - DO NOT SCALE THIS PRINT

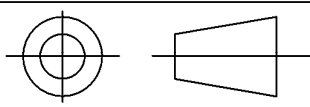


SHEET 1
REV 1
SIZE DRAWING NO. 52A105383CD
A

RBC PROPRIETARY AND CONFIDENTIAL INFORMATION
This document is the property of REGAL BELOIT CORPORATION ("RBC") including its subsidiaries and divisions and contains proprietary information of RBC. This document is loaned on the express condition that neither it nor the information contained therein shall be disclosed to others without the express written consent of RBC, and that the information shall be used by the recipient only as approved expressly by RBC. This document shall be returned to RBC upon its request. This document may be subject to certain restrictions under U.S. export control laws and regulations.

REVISIONS			
REV.	DESCRIPTION	DATE	APPROVED
1	FORMAT CHG TO RBC PER IS05-1777	05/24/06	SHIRISH

THIRD ANGLE PROJECTION



EITHER ROTATION - DUAL VOLTAGE TYPE KCP WITH THERMOSTAT

LOW VOLTAGE SHOWN FOR HI VOLTAGE SEE NOTE #1

- NOTE #1 - FOR HI VOLTAGE REMOVE BROWN (P2) FROM TERMINAL #5 AND PLACE ON TERMINAL #4. REMOVE WHITE (T2) FROM TERMINAL #2 AND PLACE ON TERMINAL #5.
- NOTE #2 - TO REVERSE ROTATION INTERCHANGE RED (T8) AND BLACK (J9) LEADS.
- NOTE #3 - WHEN MORE THAN ONE CAPACITOR IS USED CONNECT IN PARALLEL

REF. DIAG. - 111A391
TERM. BD. & PARTS - 115D958AT
CONNECTION LABEL - 52X332936

FOR ADDITIONAL INFO REFER TO:	SIGNATURES	DATE		REGAL-BELOIT CORPORATION
APPLIED PRACTICES	MODEL M.D.PAPE	03/02/89		
DIMENSIONS ARE IN INCHES	DETAIL		TITLE CONNECTION DIAGRAM First made for - 5KCP33KN18GT	SIZE DRAWING 52A105383CD
TOLERANCE ON:	CHECKED			
1 PL DECIMALS ± 0.1	ENGRG			
2 PL DECIMALS ± 0.01	MFG			
3 PL DECIMALS ± 0.005	QUALITY			
ANGLES ± 0.5	ISSUED M.D.PAPE	03/02/89	REV 1	
FRACTIONS ±				
FINISH ✓	SOLID MODEL: MODEL NAME		SCALE: DRAWING SCALE	SHEET 1 of 1