

# PRODUCT INFORMATION PACKET



Model No: 5K49NN2147X  
Catalog No: K1416  
Fan and Blower Motor, 2 HP, 3 Ph, 60 Hz, 208-230/460 V, 56H Frame, DP



Regal and LEESON are trademarks of Regal Rexnord Corporation or one of its affiliated companies.  
©2025 Regal Rexnord Corporation, All Rights Reserved. MC017097E





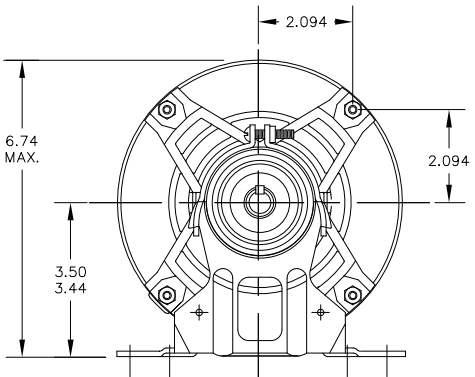
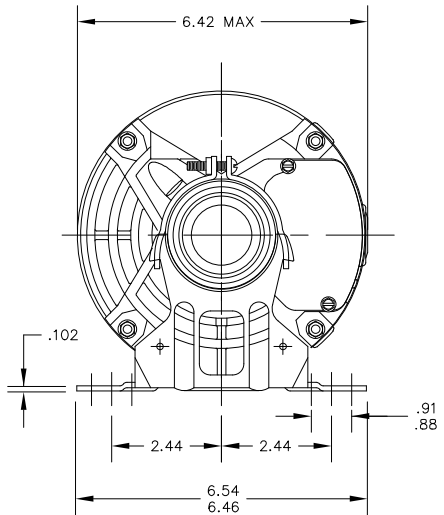
### Nameplate Specifications

|                            |                  |                        |                      |
|----------------------------|------------------|------------------------|----------------------|
| Phase                      | <b>3</b>         | Output HP              | <b>2 Hp</b>          |
| Output KW                  | <b>1.5 kW</b>    | Voltage                | <b>208-230/460 V</b> |
| Speed                      | <b>3450 rpm</b>  | Service Factor         | <b>1.15</b>          |
| Frame                      | <b>56H</b>       | Enclosure              | <b>Drip Proof</b>    |
| Thermal Protection         | <b>Automatic</b> | Ambient Temperature    | <b>40 °C</b>         |
| Frequency                  | <b>60 Hz</b>     | Current                | <b>6.0-6.0/3.0 A</b> |
| Power Factor               | <b>0</b>         | Duty                   | <b>Continuous</b>    |
| Insulation Class           | <b>B</b>         | Design Code            | <b>B</b>             |
| KVA Code                   | <b>H</b>         | Drive End Bearing Size | <b>6203</b>          |
| Opp Drive End Bearing Size | <b>6203</b>      | UL                     | <b>Recognized</b>    |
| CSA                        | <b>Y</b>         | CE                     | <b>N</b>             |

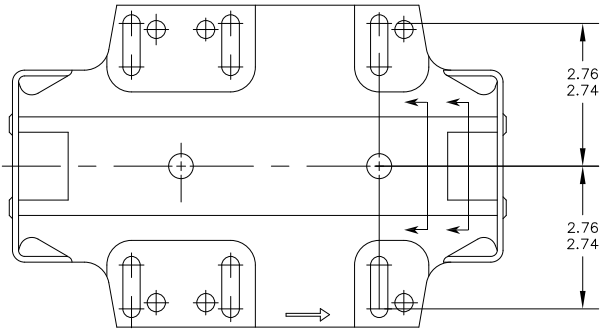
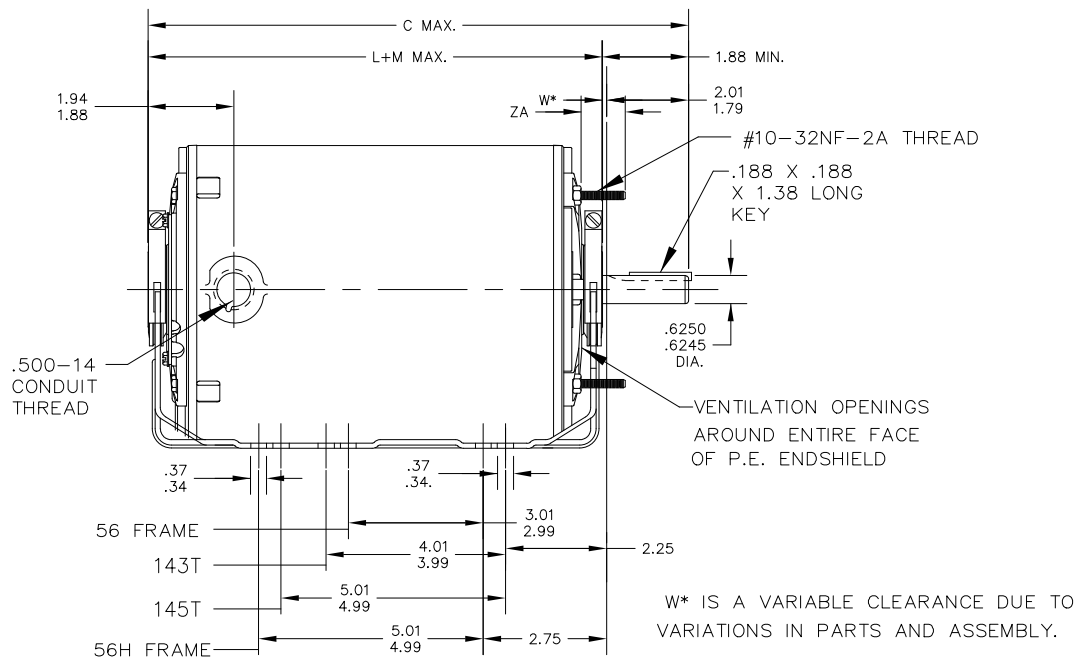
### Technical Specifications

|                       |                                      |                   |                                   |
|-----------------------|--------------------------------------|-------------------|-----------------------------------|
| Electrical Type       | <b>Capacitor Start Capacitor Run</b> | Starting Method   | <b>Across The Line</b>            |
| Poles                 | <b>2</b>                             | Rotation          | <b>Counterclockwise/Clockwise</b> |
| Motor Orientation     | <b>Any</b>                           | Drive End Bearing | <b>Ball</b>                       |
| Opp Drive End Bearing | <b>Ball</b>                          | Frame Material    | <b>Rolled Steel</b>               |
| Shaft Type            | <b>NEMA 56H</b>                      | Shaft Diameter    | <b>0.625 in</b>                   |
| Connection Drawing    | <b>113A423</b>                       | Outline Drawing   | <b>52A114012P2</b>                |

This is an uncontrolled document once printed or downloaded and is subject to change without notice. Date Created:11/13/2025



VIEW OF P.E. END SHIELD



|   |      |          |         |       |       |            |     |
|---|------|----------|---------|-------|-------|------------|-----|
| 2 | K-KH | 49       | 56H     | 12.01 | 10.01 | 7.68       | .62 |
| 1 | K-KH | 48       | 56H     | 12.76 | 10.76 | 8.43       | .62 |
| P | TYPE | RBC SIZE | NEMA FR | C     | L+M   | SHELL MIN. | ZA  |

|  |                                     |                |     |                             |                    |  |  |                     |                     |      |
|--|-------------------------------------|----------------|-----|-----------------------------|--------------------|--|--|---------------------|---------------------|------|
|  |                                     |                |     | TOLERANCES UNLESS SPECIFIED |                    | Regal Beloit America, Inc.                     |  | DRAWN SN 08/08/2022 |                     |      |
|  |                                     |                |     | DEC.                        | INCHES             |  |  | CHK SN 08/08/2022   |                     |      |
|  |                                     |                |     | .X                          | ±.1                |  |  | APPD                |                     |      |
|  |                                     |                |     | .XX                         | ±.01               | TITLE  |  | SCALE               | 1=2                 |      |
| B  | UPDATED TEMPLATE LOGO               | M.P 11/01/2023 | SN  | .XXX                        | ±.005              | DP-40FR-BALL BEARING-RESILIENT BASE-EXT SCREWS |  | REF                 | 52A109604           |      |
| A  | CREATED NEW OUTLINE PER ECR-0219737 | SN 08/08/2022  | SN  | .XXXX                       | ±.0005             | MAT'L.   |  | FMF                 |                     |      |
| NO.  | REVISION                            | BY & DATE      | CHK | ANG                         | ±1/2"              | FINISH   |  | PREV                |                     |      |
| THIS DRAWING IN DESIGN AND DETAIL IS OUR PROPERTY AND MUST NOT BE USED EXCEPT IN CONNECTION WITH OUR WORK ALL RIGHTS OF DESIGN AND INVENTION ARE RESERVED THIS IS AN ELECTRONICALLY GENERATED DOCUMENT - DO NOT SCALE THIS PRINT |                                     |                |     | RFP                         | CAD FILE 52A114012 |  |  | SIZE                | DRAWING NO. PAGE OF | REV. |
|  |                                     |                |     | DIST                        |                    |  |  | A                   | 52A114012           |      |



RBC PROPRIETARY AND CONFIDENTIAL INFORMATION

This document is the property of REGAL BELOIT CORPORATION ("RBC") including its subsidiaries and divisions and contains proprietary information of RBC. This document is loaned on the express condition that neither it nor the information contained therein shall be disclosed to others without the express written consent of RBC, and that the information shall be used by the recipient only as approved expressly by RBC. This document shall be returned to RBC upon its request. This document may be subject to certain restrictions under U.S. export control laws and regulations.

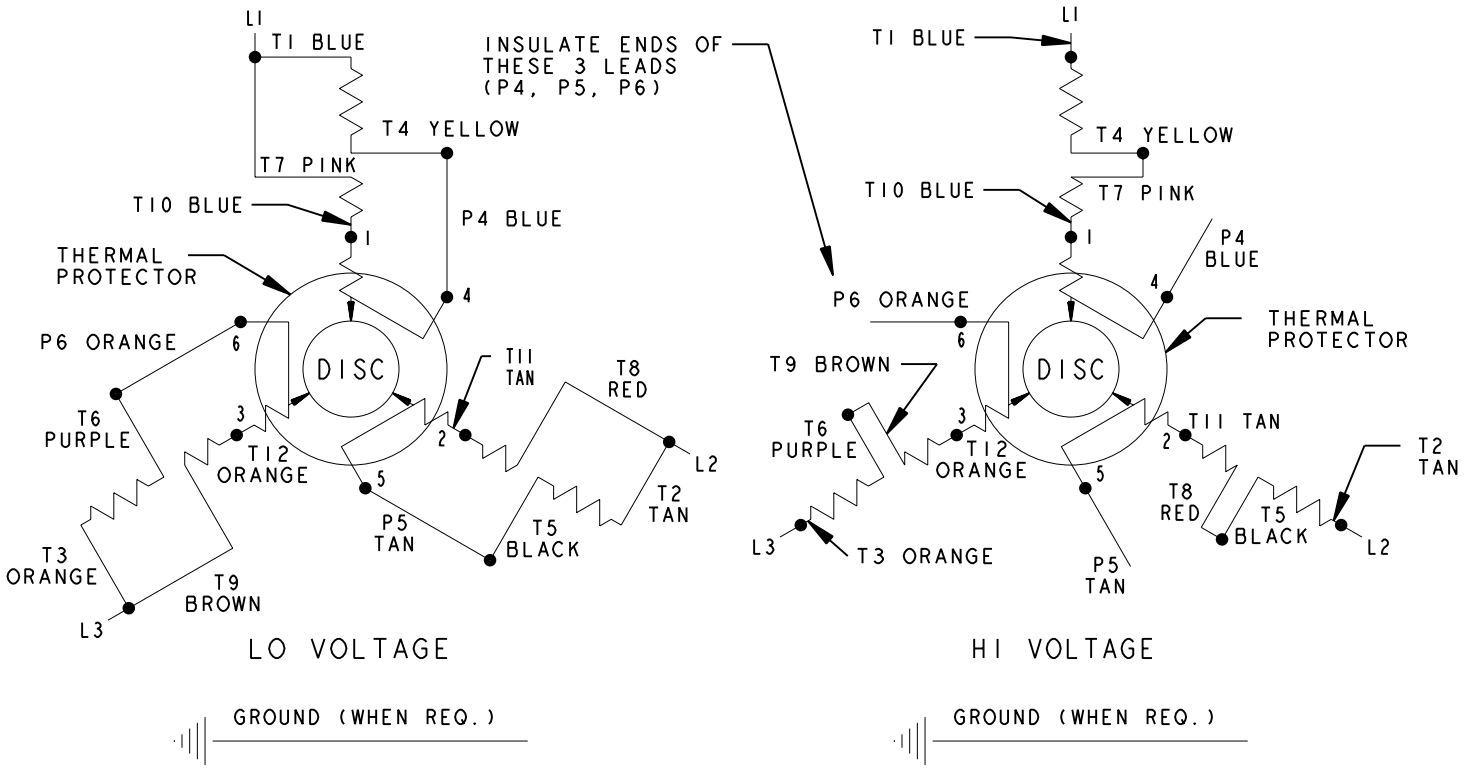
THIRD ANGLE PROJECTION

| REVISIONS |                                   |          |          |
|-----------|-----------------------------------|----------|----------|
| REV.      | DESCRIPTION                       | DATE     | APPROVED |
| 7         | LO VOLTAGE: "T8 RED" WAS "T3 RED" | 09/25/92 | BLJ      |
| 8         | LABEL WAS 185178                  | 04/04/95 | M.A.M.   |
| 9         | CHG TO RBC FORMAT PER ISO5-1777   | 06/13/06 | SUDHA    |

113A423 9

SIZE DRAWING NO. A

TYPE K - DUAL VOLTAGE - THREE PHASE -  
12 LEAD WDG. - 12 LEADS OUT - THERMAL PROTECTION



NOTE #1 - TO REVERSE ROTATION, INTERCHANGE THE EXTERNAL CONNECTIONS TO ANY TWO LINE LEADS.

LABEL - NP185178AA

|                               |                      |                 |
|-------------------------------|----------------------|-----------------|
| FOR ADDITIONAL INFO REFER TO: | SIGNATURES           | DATE            |
| APPLIED PRACTICES             | MODEL G.A.HILSMIER   | 01/05/96        |
| DIMENSIONS ARE IN INCHES      | DETAIL               | .               |
| TOLERANCE ON:                 | CHECKED              | .               |
| 1 PL DECIMALS ± 0.1           | ENGRG                | .               |
| 2 PL DECIMALS ± 0.02          | MFG                  | .               |
| 3 PL DECIMALS ± 0.005         | QUALITY              | .               |
| ANGLES ± 1.0                  | ISSUED               | B.L.J. 05/12/92 |
| FRACTIONS ±                   |                      |                 |
| FINISH ✓                      |                      |                 |
| MATERIAL                      | SOLID MODEL: 113A423 |                 |

REGAL-BELOIT CORPORATION

TITLE **DIAGRAM - CONNECTION**  
**TYPE K MOTORS**

SIZE DRAWING A

SCALE: 1.000 REF. No: . SHEET 1 of 1

113A423 9

