

PRODUCT INFORMATION PACKET



Model No: 194225.00
Catalog No: 194225.00
3 HP Definite Purpose AC, 3 phase, 1800 RPM, 230/460 V, 100L Frame, TEFC
IEC Definite Purpose AC Brake Motors



Regal and Leeson are trademarks of Regal Beloit Corporation or one of its affiliated companies.
©2019 Regal Beloit Corporation, All Rights Reserved. MC017097E

The Regal logo is located in the bottom right corner. It features the word "REGAL" in a white, sans-serif font, set against a dark grey, trapezoidal background. The background of the entire page on the right side is a blue gradient with a halftone dot pattern.



Nameplate Specifications

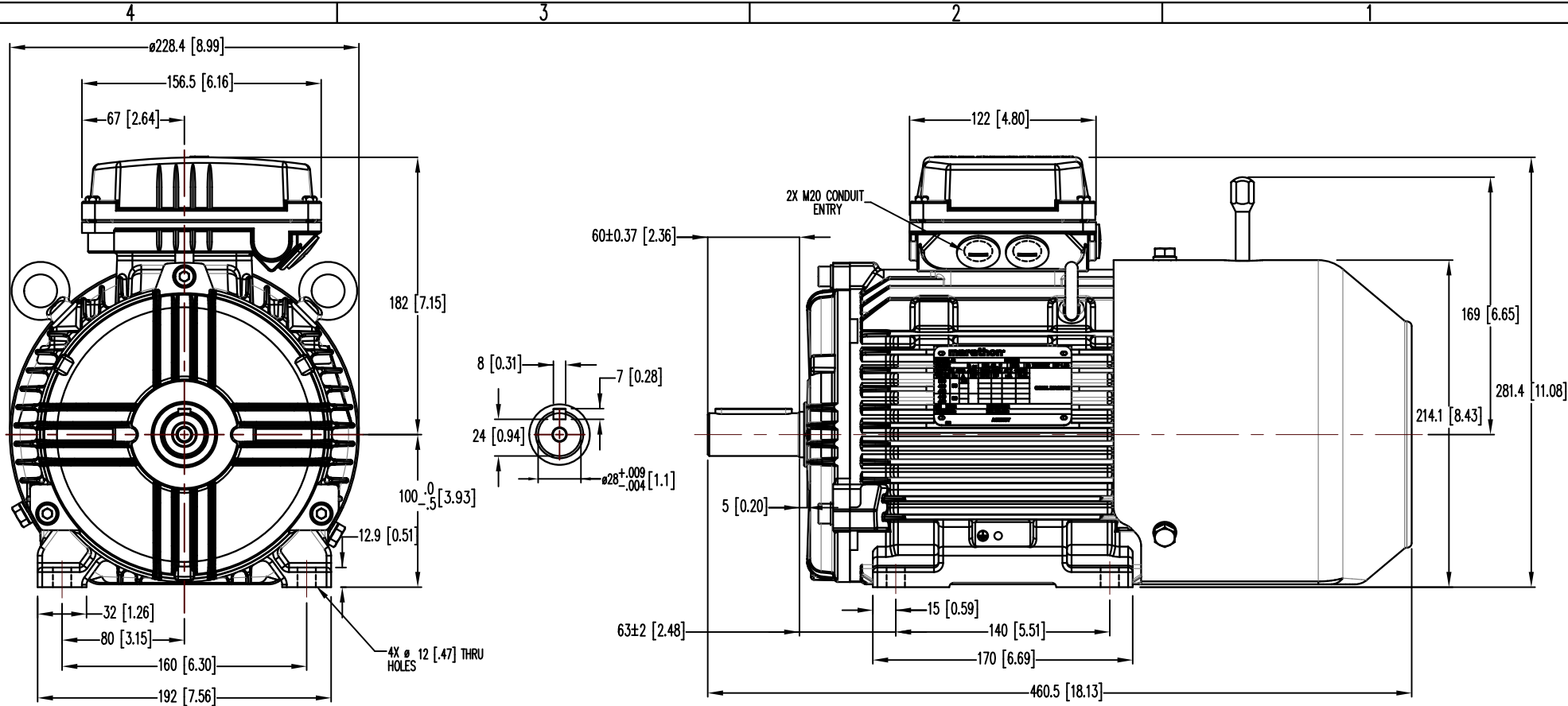
Output HP	3 Hp	Output KW	2.2 kW
Frequency	60 Hz	Voltage	230/460 V
Current	7.8/3.9 A	Speed	1760 rpm
Service Factor	1.15	Phase	3
Efficiency	89.5 %	Power Factor	80
Duty	Continuous	Insulation Class	F
Design Code	No Design Code	KVA Code	L
Frame	100L	Enclosure	Totally Enclosed Fan Cooled
Thermal Protection	No	Ambient Temperature	40 °C
Drive End Bearing Size	6206	Opp Drive End Bearing Size	6206
UL	Recognized	CSA	Y
CE	Y	IP Code	55

Technical Specifications

Electrical Type	Squirrel Cage Induction Run	Starting Method	Across The Line
Poles	4	Rotation	Reversible
Resistance Main	0 Ohms	Mounting	B3
Motor Orientation	Horizontal	Drive End Bearing	Ball
Opp Drive End Bearing	Ball	Frame Material	Cast Iron
Shaft Type	IEC	Overall Length	18.12 in
Frame Length	7.87 in	Shaft Diameter	1.111 in
Shaft Extension	2.36 in	Assembly/Box Mounting	F3

This is an uncontrolled document once printed or downloaded and is subject to change without notice. Date Created:01/11/2019

Uncontrolled Copy

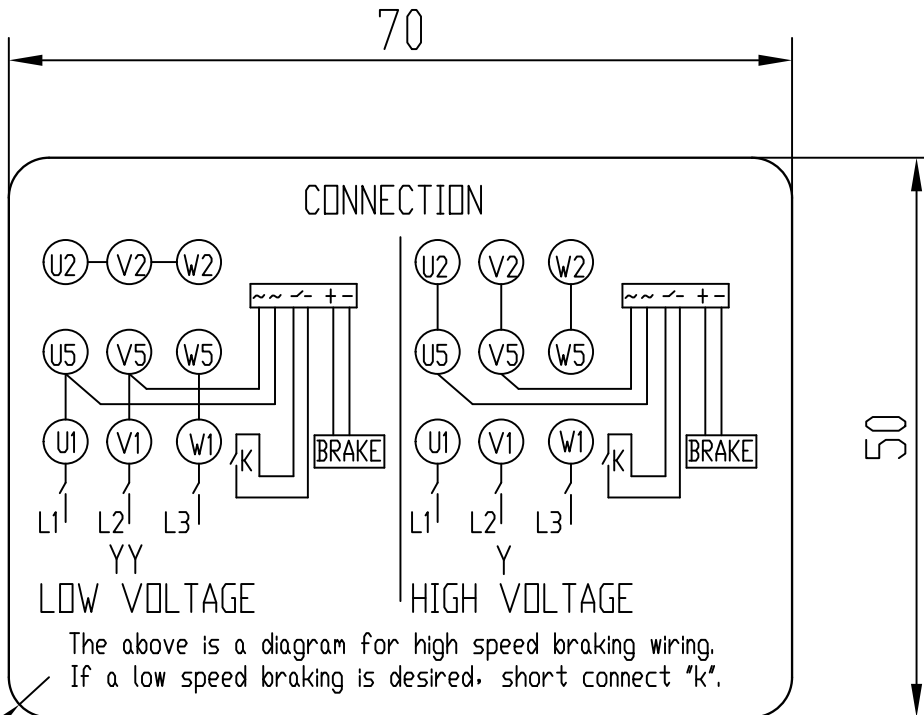


Type	Poles	Output		Voltage (V)	I (A)	Frequency (Hz)	Speed (r/min)	Eff.(%)	Power Factor	Ist/In	Tst/Tn	Tmax/Tn	Ins.	CONN (stator)	Duty	SF	IM	IC	IP	Bearing	
		(HP)	(kW)																	DE	NDE
TCA 100LA04	4	3	2.2	230/460	7.84/3.92	60	1760	IE3-89.5	0.80	8.3	2.5	3.0	F	YY/Y	S1	1.15	B3	411	55	6206ZZC3	6206ZZC3

AMB -20~+40°C

Brake Torque: 32 Nm

DRAWING REVISION	REVISION BY	DATE		DRAWN BY	UDAY	REGAL-RELIANT CORPORATION
ECO	APPROVED BY	DATE		DATE	23/3/2016	
ECO DESCRIPTION				APPROVED BY	380	
<small>COPYRIGHT REGAL-RELIANT CORPORATION, INC. ALL RIGHTS RESERVED. PROPRIETARY AND CONFIDENTIAL INFORMATION - THIS DOCUMENT IS THE PROPERTY OF REGAL-RELIANT CORPORATION, INC. (OWNER) AND CONTAINS OWNER'S PROPRIETARY INFORMATION. ANY PERSON, CORPORATION OR OTHER FIRM RECEIVING IT IS DEEMED, BY RECEIVING IT, TO AGREE THAT IT, AND/OR ANY PART OF IT, SHALL NOT BE DISCLOSED TO ANY PERSON, CORPORATION OR OTHER ENTITY, DUPLICATED, AND/OR USED, EXCEPT AS EXPRESSLY APPROVED IN WRITING IN ADVANCE BY OWNER. THIS DOCUMENT SHALL BE RETURNED TO OWNER UPON REQUEST. IT MAY BE SUBJECT TO CERTAIN RESTRICTIONS UNDER APPLICABLE EXPORT CONTROL LAWS AND REGULATIONS.</small>			DATE	23/3/2016	100 FR.- B3 BRAKE MTG. MOTOR TYPE: TCA	
			REFERENCE	MATERIAL	PROCESS/FINISH	
			THIRD ANGLE PROJECTION	SIZE	DRAWING NUMBER	SHEET
				B	0G10000539	1 OF 1



NOTES:

1. Characters, marks and lines are black;
CONNECTION, LOW VOLTAGE, HIGH VOLTAGE,
YY, Y size 2.5, other letters size 1.8

R3

DRAWING REVISION	REVISION BY	DATE
ECD	APPROVED BY	DATE
ECD DESCRIPTION		

COPYRIGHT REGAL BELOIT AMERICA, INC. ALL RIGHTS RESERVED.
PROPRIETARY AND CONFIDENTIAL INFORMATION - THIS DOCUMENT IS THE PROPERTY OF
REGAL BELOIT AMERICA, INC. (OWNER) AND CONTAINS OWNER'S PROPRIETARY
INFORMATION. ANY PERSON, CORPORATION OR OTHER FIRM RECEIVING IT IS DEEMED,

DRAWN BY	Wu Shunrui
DATE	13/06/2016
APPROVED BY	Suresh Datal
DATE	13/06/2016
REFERENCE	

REGAL ™ Regal Beloit America, Inc.	
DESCRIPTION Connection diagram (LEESON)	
4 of 4	MATERIAL
PROCESS/FINISH	