

# PRODUCT INFORMATION PACKET



Model No: 192261.00  
Catalog No: 192261.00  
1.50 HP General Purpose, 1 phase, 1800 RPM, 115/230 V, 90 Frame, TEFC

Regal and Leeson are trademarks of Regal Rexnord Corporation or one of its affiliated companies.  
©2022 Regal Rexnord Corporation, All Rights Reserved. MC017097E





### Nameplate Specifications

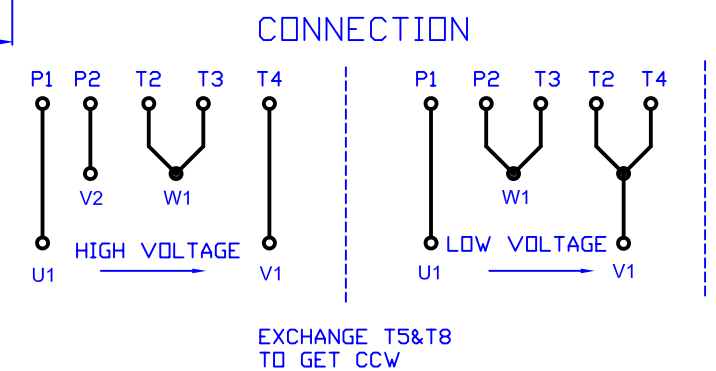
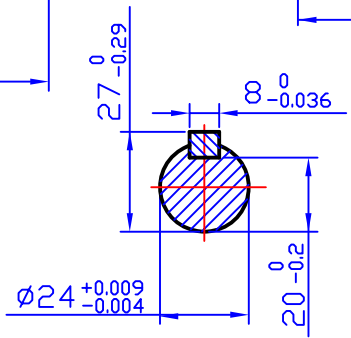
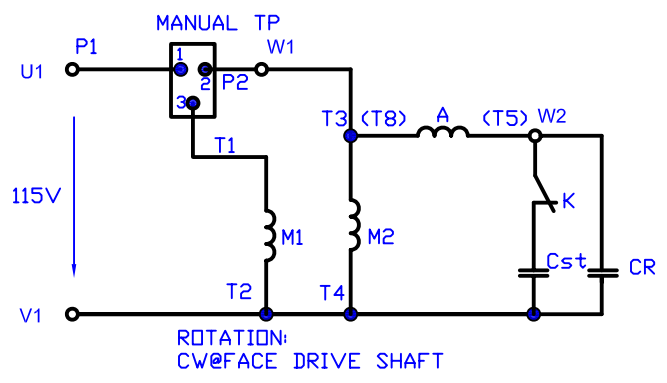
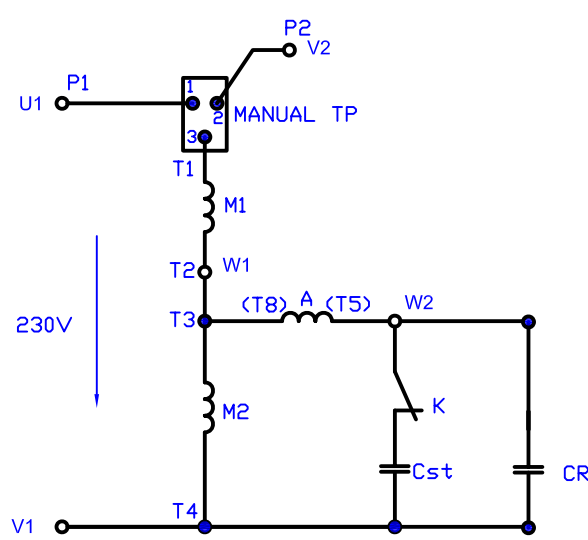
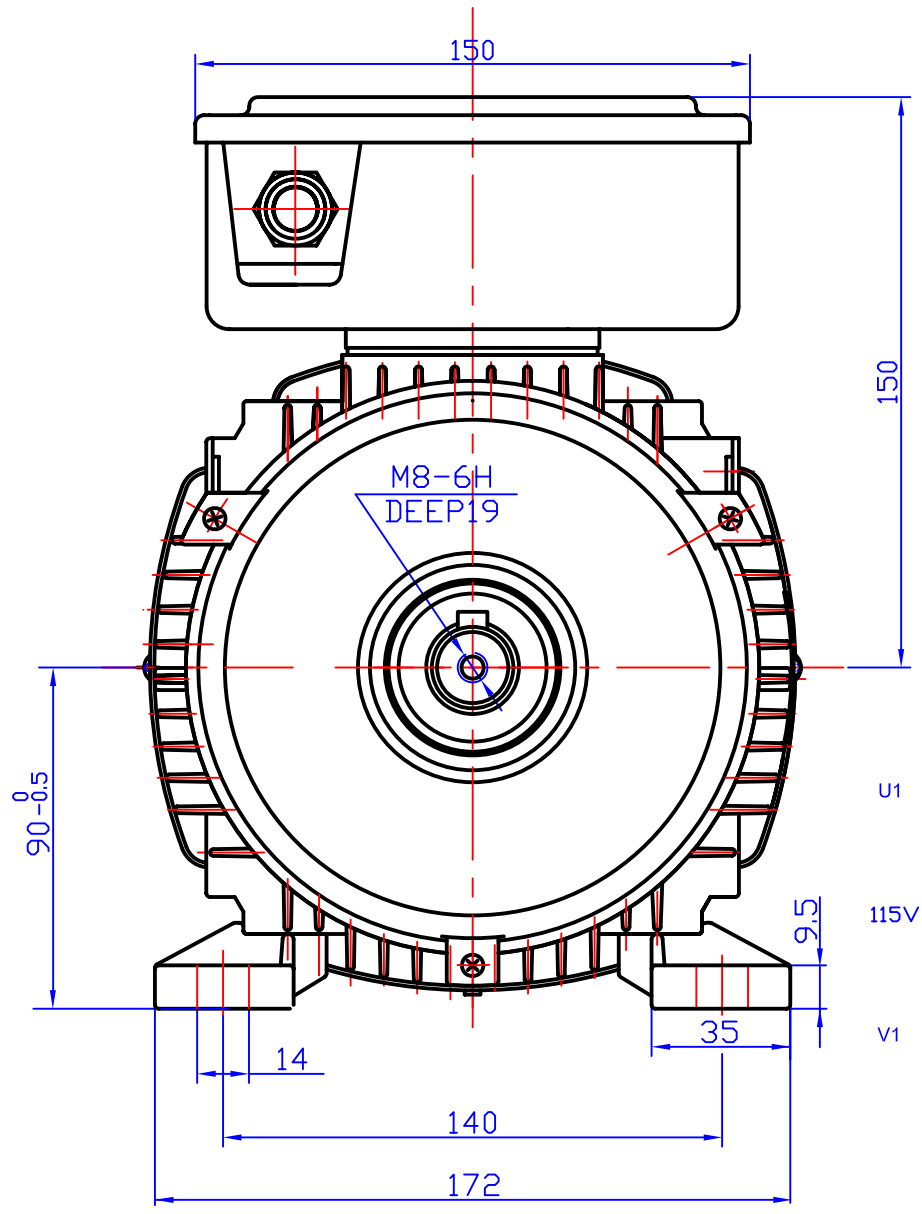
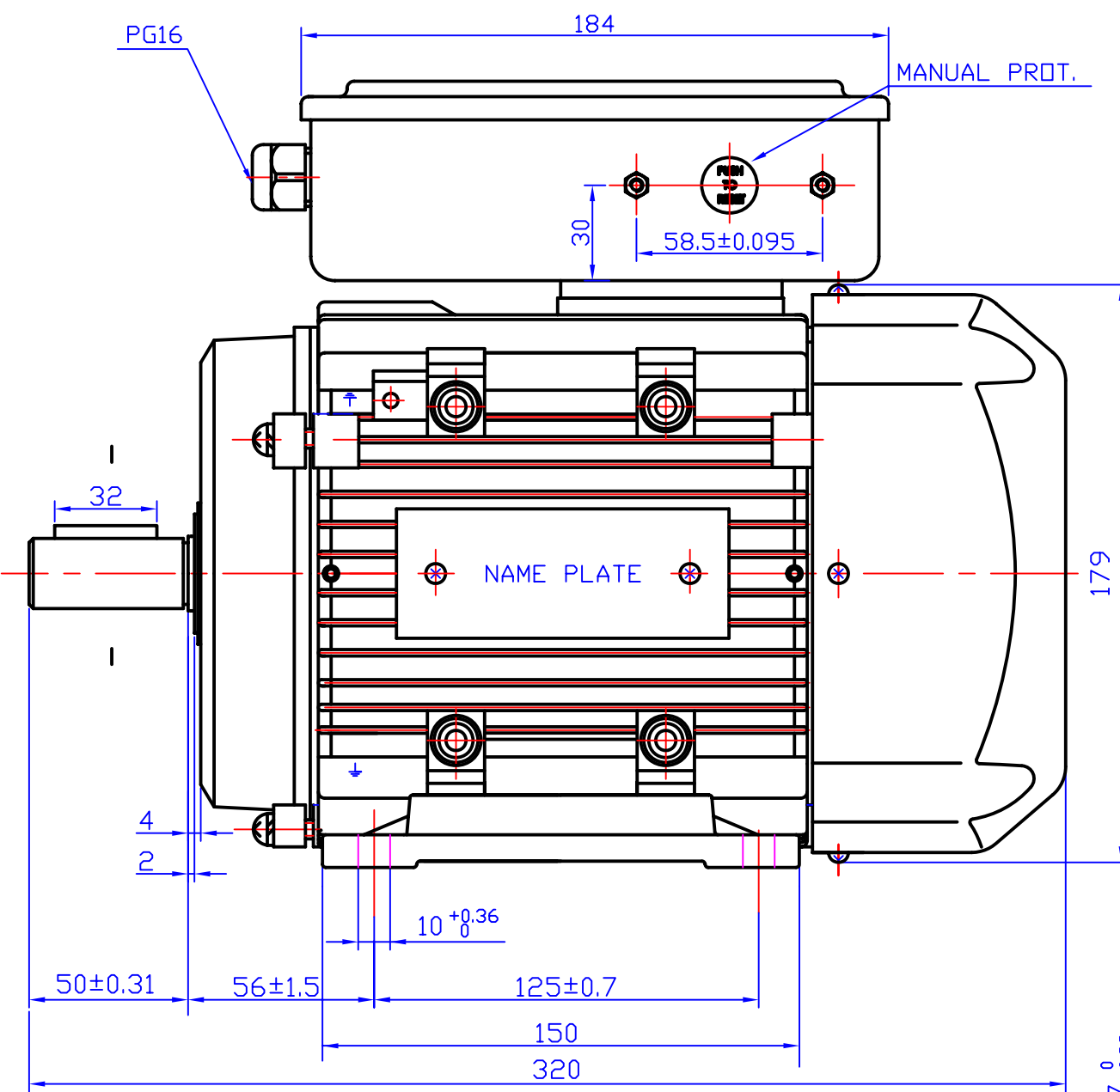
Output HP	1.50 Hp	Output KW	1.1 kW
Frequency	60 Hz	Voltage	115/230 V
Current	12.8/6.4 A	Speed	1745 rpm
Service Factor	1.15	Phase	1
Efficiency	82.5 %	Power Factor	94
Duty	Continuous	Insulation Class	F
Design Code	N	KVA Code	G
Frame	90L	Enclosure	Totally Enclosed Fan Cooled
Thermal Protection	Manual	Ambient Temperature	40 °C
Drive End Bearing Size	6205	Opp Drive End Bearing Size	6203
UL	Recognized	CSA	Y
CE	Y	IP Code	55
Number of Speeds	1		

### Technical Specifications

Electrical Type	Capacitor Start Capacitor Run	Starting Method	Across The Line
Poles	4	Rotation	Selective Clockwise
Resistance Main	2.094 Ohms	Mounting	B3
Motor Orientation	Horizontal	Drive End Bearing	Ball
Opp Drive End Bearing	Ball	Frame Material	Aluminum
Shaft Type	IEC	Overall Length	12.59 in
Shaft Diameter	1.000 in	Shaft Extension	1.96 in
Assembly/Box Mounting	F3		
Outline Drawing	039085	Connection Drawing	SEE OUTLINE

This is an uncontrolled document once printed or downloaded and is subject to change without notice. Date Created:12/01/2022

REV	ECO	REV BY	DATE	APPD	DATE



DR BY: <b>YCHH</b>	EDS DATE <b>2017.07.28</b>
APPD:	VERSION <b>A</b>
FIRST ANGLE PROJECTION	CONFIDENTIAL: THIS DRAWING AND ITS INFORMATION ARE THE EXCLUSIVE AND CONFIDENTIAL PROPERTY OF REGAL BELOIT CORPORATION AND ARE NOT TO BE DISCLOSED, DUPLICATED, DISTRIBUTED OR OTHERWISE USED WITHOUT THE WRITTEN CONSENT OF REGAL BELOIT CORPORATION
-ALL RIGHTS RESERVED.	

<b>REGAL</b> REGAL-BELOIT CORPORATION	
DESCRIPTION	<b>OUTLINE DRAWING(B3)</b>
SIZE <b>A3</b>	DWG NO <b>039085</b>
SCALE	SHEET

## EC Declaration of Conformity

The undersigned representing  
the manufacturer:

Regal Beloit America  
100 East Randolph St.  
Wausau, WI 54401

and the authorized representative  
established within the Community:

Marathon Electric UK  
6F Thistleton Road Ind. Estate  
Market Overton  
Oakham, Rutland LE15 7PP UK

are committed to providing customers with products that comply with applicable regulations and international protocols to which they are subject, including the requirements of the European Parliament Directive on the Harmonization of the laws relating to electrical equipment designed for use within certain voltage limits (2014/35/EU).

Regal Beloit America declares that the following product(s), to which this declaration relates, are in conformity with the relevant sections of the EC standards listed below.

This statement supersedes any statements previously issued pertaining to the product(s) listed below and is subject to change without notice.

Model No : 192261.00

(Model No. may contain prefix and/or suffix characters)

Catalog No : 192261.00

Rework No : N/A

Directives :

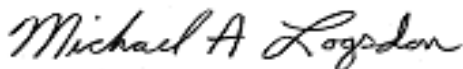
Low Voltage Directive 2014/35/EU

Harmonized Standards Used :

EN 60034-1: 2010 (IEC 60034-1: 2010)

EN 60034-5: 2001/A1:2007 (IEC 60034-5: 2000/A1:2006)

Authorized Representative:



Michael A. Logsdon  
Vice President, Technology

Authorized Representative in the Community:



Julian Clark  
Marketing Engineer

Created on 09/01/2022

**CE 22**