

PRODUCT INFORMATION PACKET



Model No: 192258.00

Catalog No: 192258.00

1 HP General Purpose, 1 phase, 3600 RPM, 115/230 V, 80 Frame, TEFC

Regal and LEESON are trademarks of Regal Rexnord Corporation or one of its affiliated companies.
©2025 Regal Rexnord Corporation, All Rights Reserved. MC017097E





Nameplate Specifications

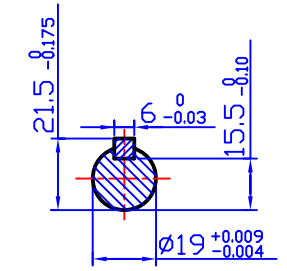
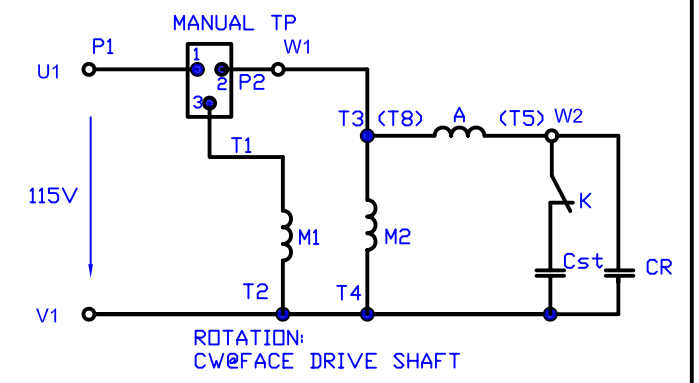
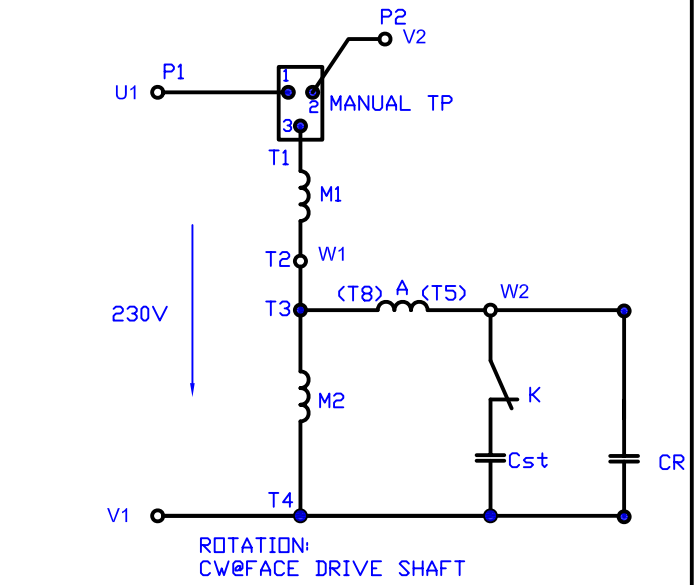
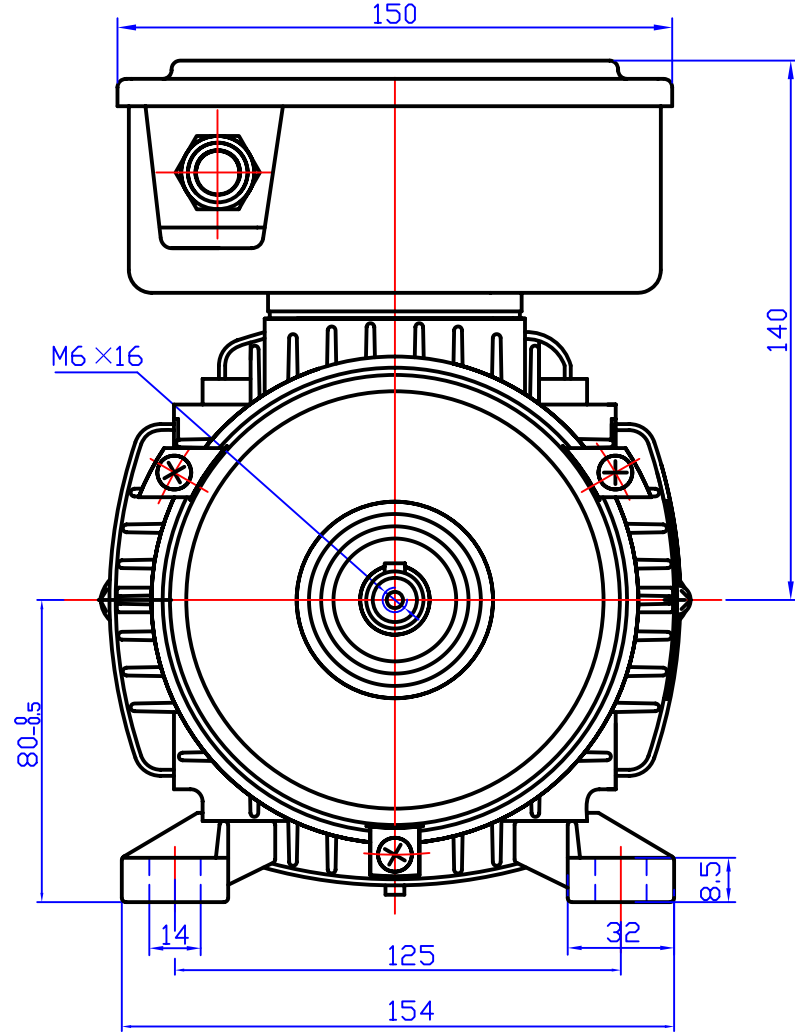
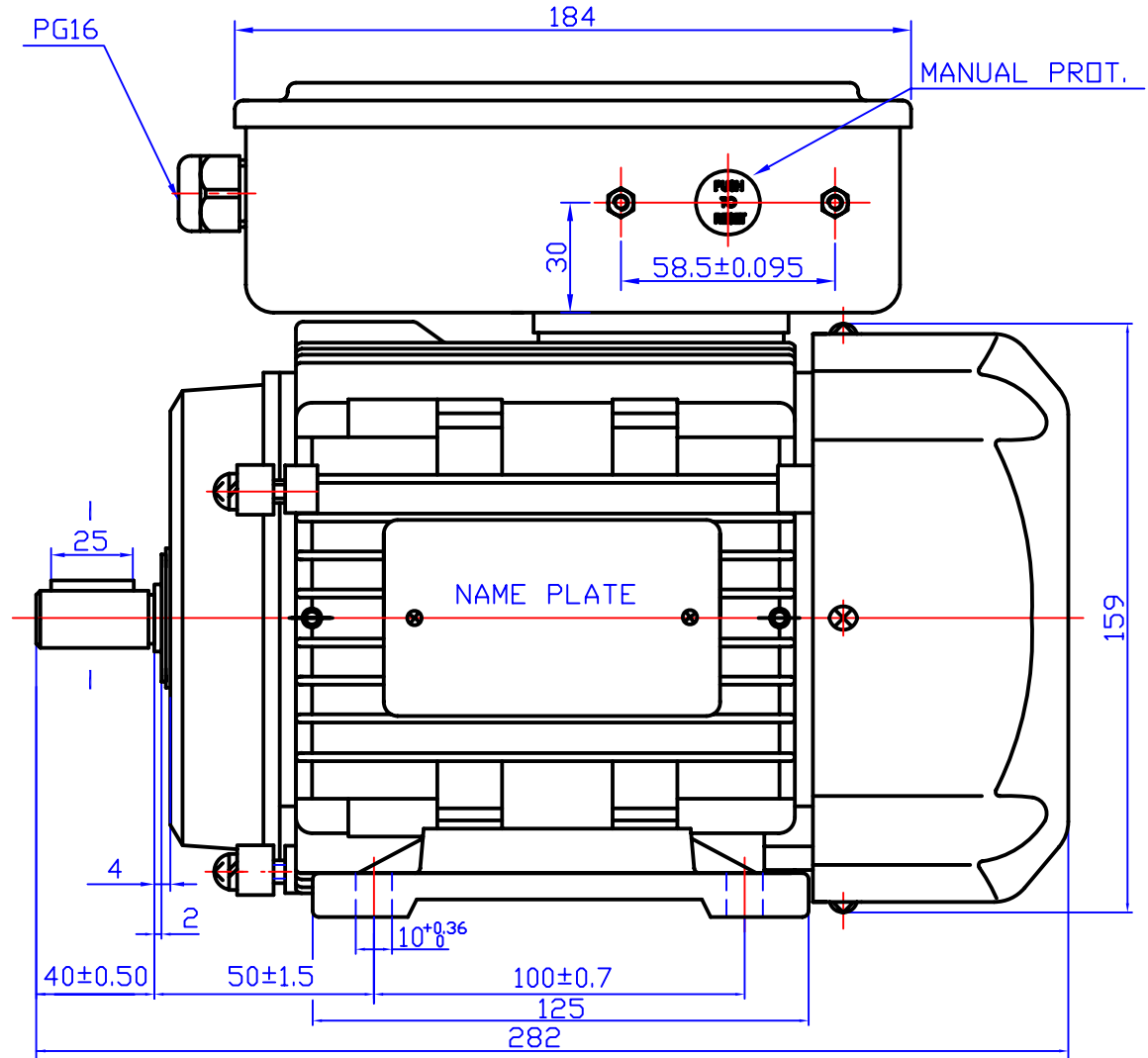
| | | | |
|------------------------|------------|----------------------------|-----------------------------|
| Phase | 1 | Output HP | 1 Hp |
| Output KW | 0.75 kW | Voltage | 115/230 V |
| Speed | 3475 rpm | Service Factor | 1.15 |
| Frame | 80 | Enclosure | Totally Enclosed Fan Cooled |
| Thermal Protection | Manual | Efficiency | 75.5 % |
| Ambient Temperature | 40 °C | Frequency | 60 Hz |
| Current | 8.8/4.4 A | Power Factor | 98 |
| Duty | Continuous | Insulation Class | F |
| Design Code | N | KVA Code | G |
| Drive End Bearing Size | 6204 | Opp Drive End Bearing Size | 6203 |
| UL | Recognized | CSA | Y |
| CE | Y | IP Code | 55 |
| Number of Speeds | 1 | | |

Technical Specifications

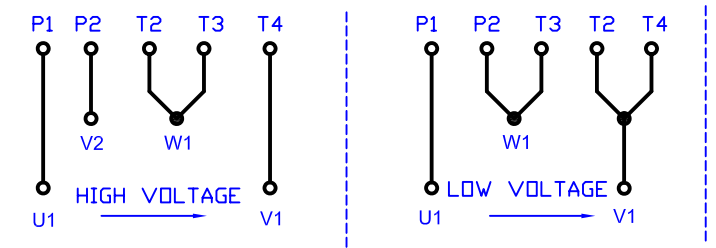
| | | | |
|-----------------------|-------------------------------|-------------------|---------------------|
| Electrical Type | Capacitor Start Capacitor Run | Starting Method | Across The Line |
| Poles | 2 | Rotation | Selective Clockwise |
| Resistance Main | 4.177 Ohms | Mounting | B3 |
| Motor Orientation | Horizontal | Drive End Bearing | Ball |
| Opp Drive End Bearing | Ball | Frame Material | Aluminum |
| Shaft Type | IEC | Overall Length | 11.10 in |
| Shaft Diameter | 0.750 in | Shaft Extension | 1.57 in |
| Assembly/Box Mounting | F3 | | |
| Connection Drawing | SEE OUTLINE | Outline Drawing | 039083 |

This is an uncontrolled document once printed or downloaded and is subject to change without notice. Date Created:07/08/2025

| REV | ECO | REV BY | DATE | APPD | DATE |
|-----|-----|--------|------|------|------|
| | | | | | |



CONNECTION



EXCHANGE T5&T8 TO GET CCW

| | | |
|---|----------------------------------|------------------------------------|
| DR BY: YCHH | | REGAL-BELOIT CORPORATION |
| APPD: | | |
| FIRST ANGLE PROJECTION | EDS DATE 2017.07.28 VERSION A | DESCRIPTION OUTLINE DRAWING(B3) |
| CONFIDENTIAL: THIS DRAWING AND ITS INFORMATION ARE THE EXCLUSIVE AND CONFIDENTIAL PROPERTY OF REGAL BELOIT CORPORATION AND ARE NOT TO BE DISCLOSED, DUPLICATED, DISTRIBUTED OR OTHERWISE USED WITHOUT THE WRITTEN CONSENT OF REGAL BELOIT CORPORATION | | SIZE A3 DWG NO 039083 |
| -ALL RIGHTS RESERVED. | | SCALE SHEET |

EC Declaration of Conformity

The undersigned representing
the manufacturer:

Regal Beloit America
1946 West Cook Road
Fort Wayne, IN 46818

and the authorized representative
established within the Community:

Regal Beloit Italy
Via Modena, 18
24040 Ciserano(BG) - Italy

are committed to providing customers with products that comply with applicable regulations and international protocols to which they are subject, including the requirements of the European Parliament Directive on the Harmonization of the laws relating to electrical equipment designed for use within certain voltage limits (2014/35/EU).

Regal Beloit America declares that the following product(s), to which this declaration relates, are in conformity with the relevant sections of the EC standards listed below.

This statement supersedes any statements previously issued pertaining to the product(s) listed below and is subject to change without notice.

Model No : 192258.00

(Model No. may contain prefix and/or suffix characters)

Catalog No : 192258.00

Rework No : N/A

Directives :

Low Voltage Directive 2014/35/EU

Harmonized Standards Used :

EN 60034-1: 2010 (IEC 60034-1: 2010)

EN 60034-5: 2001/A1:2007 (IEC 60034-5: 2000/A1:2006)

Authorized Representative:



Zach Stauffer
Vice President, Engineering

Authorized Representative in the Community:



Stefano Casiraghi
Technology Director, Engineering

Created on 07/08/2025

CE 25