

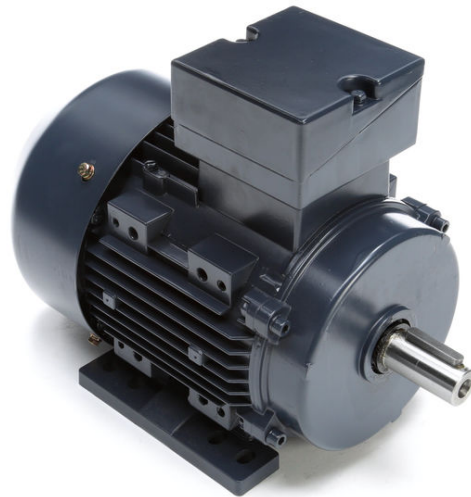
PRODUCT INFORMATION PACKET



Model No: C90T34FZ20A

Catalog No: 192233.00

3HP-2.2KW..3600RPM.D90L.TEFC.575V.3PH.60HZ.CONT.40C.1.15SF.B3.....
TEFC



Regal and Leeson are trademarks of Regal Beloit Corporation or one of its affiliated companies.

©2018 Regal Beloit Corporation, All Rights Reserved. MC017097E



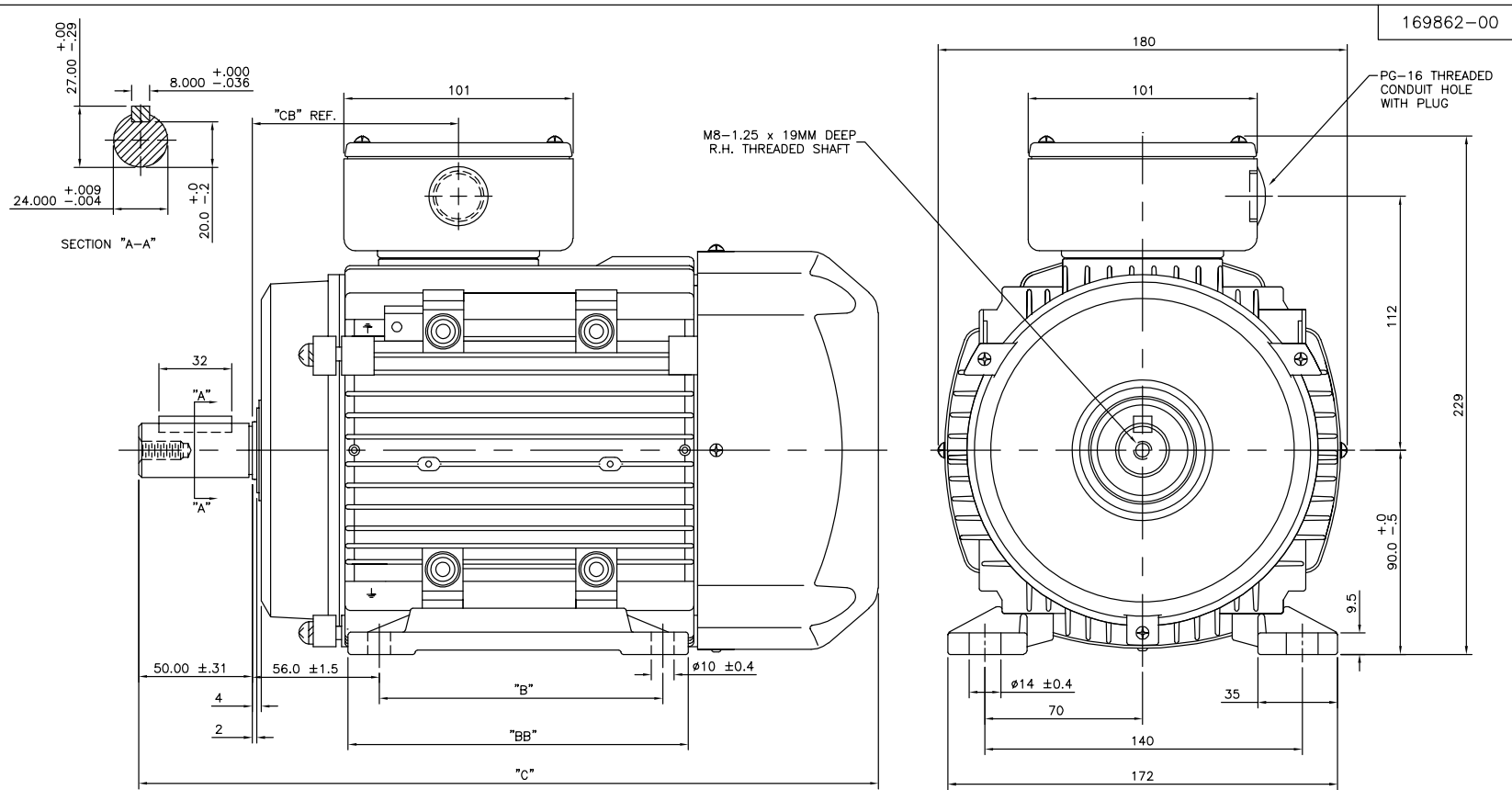


Nameplate Specifications

Output HP	3 Hp	Output KW	2.2 kW
Frequency	60 Hz	Voltage	575 V
Current	3.0 A	Speed	3500 rpm
Service Factor	1.15	Phase	3
Efficiency	87.5 %	Duty	Continuous
Insulation Class	F	Design Code	B
KVA Code	K	Frame	90L
Enclosure	Totally Enclosed Fan Cooled	Overload Protector	No
Ambient Temperature	40 °C	Drive End Bearing Size	6205
Opp Drive End Bearing Size	6205	UL	Recognized
CSA	Y	CE	Y
IP Code	55		

Technical Specifications

Electrical Type	Squirrel Cage Induction Run	Starting Method	Line Or Inverter
Poles	2	Rotation	Reversible
Mounting	B3	Motor Orientation	HORIZONTAL
Drive End Bearing	BALL	Opp Drive End Bearing	BALL
Frame Material	Aluminum	Shaft Type	IEC
Overall Length	13.42 in	Frame Length	6.33 in
Shaft Diameter	1.000 in	Shaft Extension	1.96 in
Assembly/Box Mounting	F1 ONLY		
Outline Drawing	16986200	Connection Diagram	X



FRAME DESIGN	"B"	"BB"	"CB"	"C"
90L	125 ± 0.7	150	91	341
90S	100 ± 0.7	125	79	326

		TOLERANCES UNLESS SPECIFIED		LEESON	ELECTRIC MOTORS GEARMOTORS AND DRIVES	DRAWN ADS 01/24/02
DEC.	METRIC	.X	± 2.5			
		.XX	$\pm .76$	TITLE	METRIC OUTLINE, IMB3 IEC-90 FRAME	SCALE 1=1.6
		.XXX	$\pm .127$			REF OSVC-300-551
D	Updated TitleBlock Logo To LEESON ECO-0072310	DRG	02/20/15	MAT'L	ALUMINUM	FMF
NO.	REVISION	BY & DATE	CHK ANG $\pm 1/2'$	FINISH		PREV
	THIS DRAWING IN DESIGN AND DETAIL IS OUR PROPERTY AND MUST NOT BE USED EXCEPT IN CONNECTION WITH OUR WORK. ALL RIGHTS OF DESIGN AND INVENTION ARE RESERVED. THIS IS AN ELECTRONICALLY GENERATED DOCUMENT - DO NOT SCALE THIS PRINT.			RFP	CAD FILE 16986200	SIZE B
						DRAWING NO. 169862-00
						REV. D

