

# PRODUCT INFORMATION PACKET



Model No: 191547.00

Catalog No: 191547.00

Pedestal Fan Motor, 0.50 HP, 1 Ph, 60 Hz, 115/230 V, 1800 RPM, 48YZ Frame, TEAO



Regal and Leeson are trademarks of Regal Rexnord Corporation or one of its affiliated companies.  
©2022 Regal Rexnord Corporation, All Rights Reserved. MC017097E





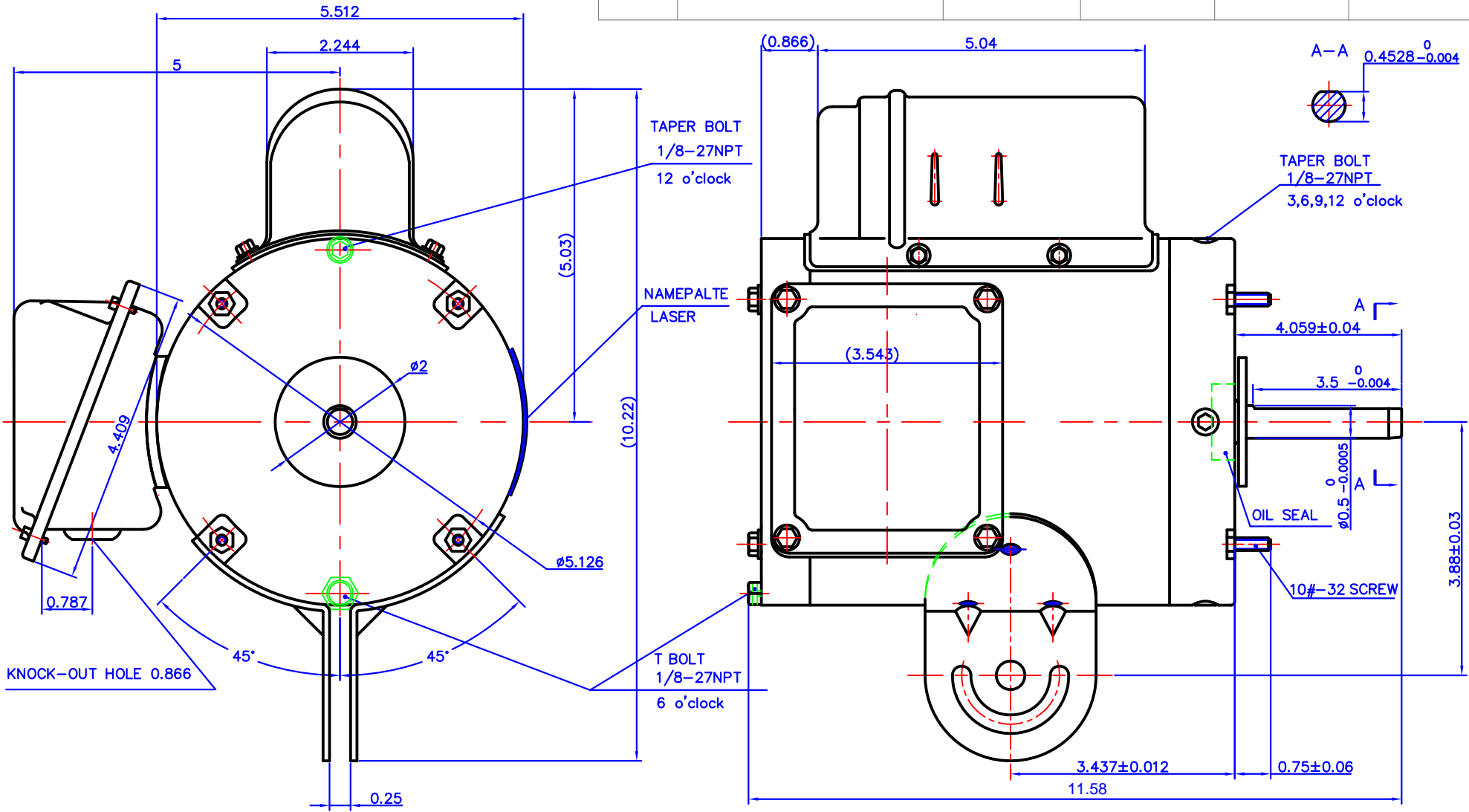
**Nameplate Specifications**

Output HP	<b>0.50 Hp</b>	Output KW	<b>0.37 kW</b>
Frequency	<b>60 Hz</b>	Voltage	<b>115/230 V</b>
Current	<b>5.2/2.6 A</b>	Speed	<b>1750 rpm</b>
Service Factor	<b>1</b>	Phase	<b>1</b>
Efficiency	<b>72 %</b>	Power Factor	<b>97</b>
Duty	<b>Continuous</b>	Insulation Class	<b>F</b>
Design Code	<b>NO DESIGN CODE</b>	KVA Code	<b>D</b>
Frame	<b>48YZ</b>	Enclosure	<b>Totally Enclosed Air Over</b>
Thermal Protection	<b>Automatic</b>	Ambient Temperature	<b>40 °C</b>
Drive End Bearing Size	<b>6203</b>	Opp Drive End Bearing Size	<b>6203</b>
UL	<b>Recognized</b>	CSA	<b>Y</b>
CE	<b>N</b>	IP Code	<b>55</b>
Number of Speeds	<b>1</b>		

**Technical Specifications**

Electrical Type	<b>Permanent Split Capacitor</b>	Starting Method	<b>Across The Line</b>
Poles	<b>4</b>	Rotation	<b>Selective Clockwise</b>
Resistance Main	<b>8.376 Ohms</b>	Mounting	<b>Round - Extended Studs</b>
Motor Orientation	<b>Horizontal</b>	Drive End Bearing	<b>Ball</b>
Opp Drive End Bearing	<b>Ball</b>	Frame Material	<b>Stainless Steel</b>
Shaft Type	<b>Single Special Extension</b>	Overall Length	<b>11.58 in</b>
Shaft Diameter	<b>0.500 in</b>	Shaft Extension	<b>4.05 in</b>
Assembly/Box Mounting	<b>F1 ONLY</b>		
Outline Drawing	<b>OL19154700</b>	Connection Drawing	<b>N/A</b>

REV	ECO	REV BY	DATE	APPD	DATE



DR BY:		DESCRIPTION	
APPD:		Single Phase 48 Stainless Steel Motors	
FIRST ANGLE PROJECTION	EDS DATE VERSION	SIZE A3	DWG NO OL19154700
CONFIDENTIAL: THIS DRAWING AND ITS INFORMATION ARE THE EXCLUSIVE AND CONFIDENTIAL PROPERTY OF AN AFFILIATE OF REGAL BELOIT CORPORATION AND ARE NOT TO BE DISCLOSED, DUPLICATED, DISTRIBUTED OR OTHERWISE USED WITHOUT THE WRITTEN CONSENT OF THE AFFILIATE OF REGAL BELOIT CORPORATION. -ALL RIGHTS RESERVED.		SCALE 1:1.5	SHEET