

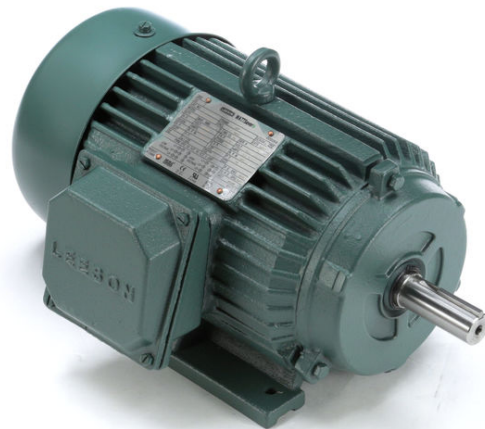
# PRODUCT INFORMATION PACKET



Model No: 171643.60

Catalog No: 171643.60

1 HP General Purpose Motor, 3 phase, 1200 RPM, 208-230/460 V, 145T Frame, TEFC  
Three Phase TEFC Motors



Regal and Leeson are trademarks of Regal Beloit Corporation or one of its affiliated companies.  
©2019 Regal Beloit Corporation, All Rights Reserved. MC017097E

The Regal logo is the word "REGAL" in a bold, sans-serif font, set within a dark grey, trapezoidal shape. The background of the page features a vertical blue gradient with a halftone dot pattern on the right side.

REGAL



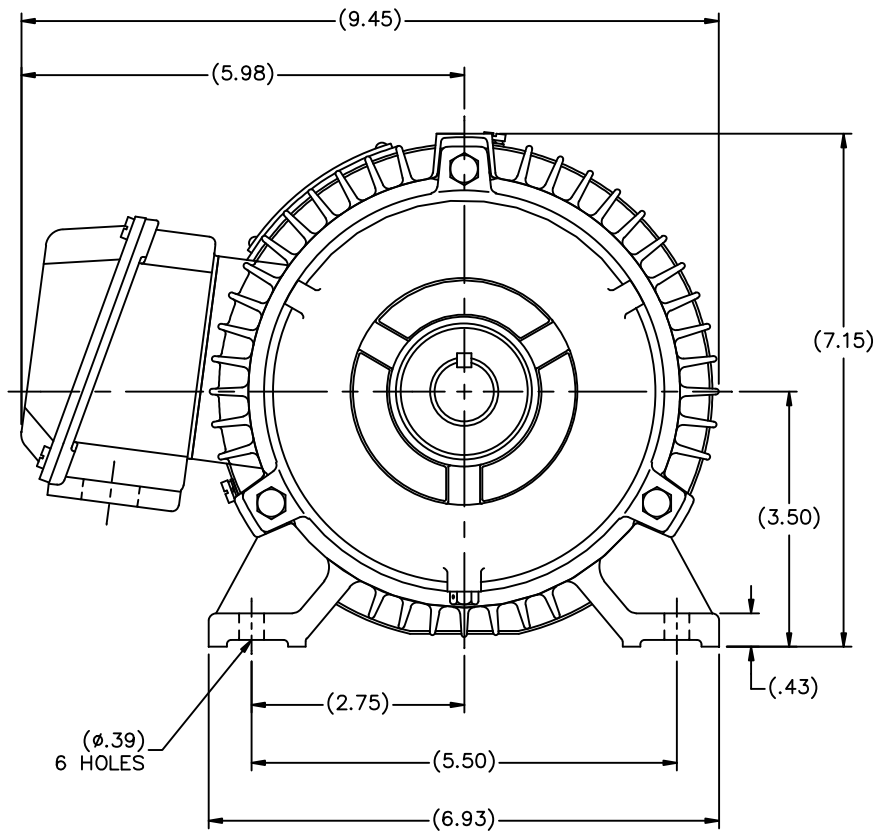
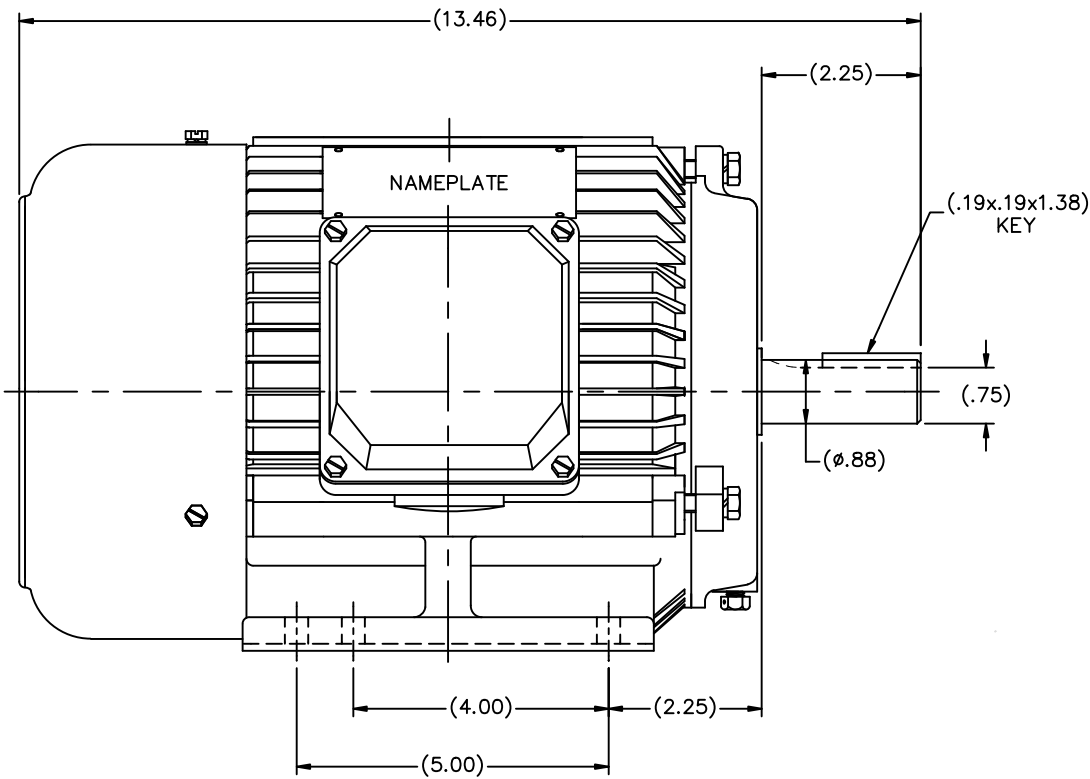
### Nameplate Specifications

Output HP	1 Hp	Output KW	0.75 kW
Frequency	60 Hz	Voltage	208-230/460 V
Current	3.6-3.6/1.8 A	Speed	1155 rpm
Service Factor	1.25	Phase	3
Efficiency	82.5 %	Power Factor	63
Duty	Continuous	Insulation Class	F
Design Code	B	KVA Code	K
Frame	145T	Enclosure	Totally Enclosed Fan Cooled
Thermal Protection	No	Ambient Temperature	40 °C
Drive End Bearing Size	6205	Opp Drive End Bearing Size	6205
UL	Recognized	CSA	N
CE	N	IP Code	43


### Technical Specifications

Electrical Type	Squirrel Cage Inverter Rated	Starting Method	Line Or Inverter
Poles	6	Rotation	Reversible
Resistance Main	0 Ohms	Mounting	Rigid Base
Motor Orientation	Horizontal	Drive End Bearing	Ball
Opp Drive End Bearing	Ball	Frame Material	Cast Iron
Shaft Type	T	Overall Length	13.46 in
Shaft Diameter	0.750 in	Shaft Extension	2.25 in
Assembly/Box Mounting	F1/F2 CAPABLE		

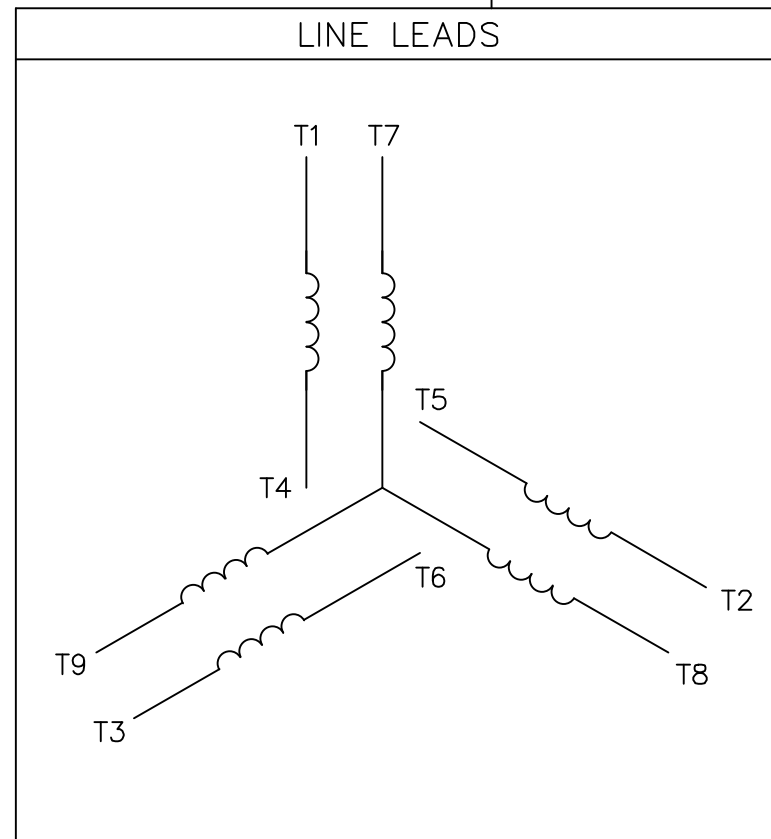
This is an uncontrolled document once printed or downloaded and is subject to change without notice. Date Created:01/11/2019



(DRAWING MAY NOT BE TO SCALE)

				TOLERANCES UNLESS SPECIFIED		 <b>REGAL-BELOIT CORPORATION</b>	DRAWN MSG 06-28-2006	
				DEC.	INCHES		CHK ML 06-28-2006	
				.X	±.1	APPD SB 06-28-2006	SCALE 5=8	
				.XX	±.03	REF	FMF MU75330	
				.XXX	±.005	PREV		
01	CHANGE CO FROM MARATHON TO RBC	ISAAC 10-3802	TF	10/5/2010	.XXXX	±.0005	MAT'L	
NO. REVISION				BY & DATE	CHK	ANG	±7'30"	
THIS DRAWING IN DESIGN AND DETAIL IS OUR PROPERTY AND MUST NOT BE USED EXCEPT IN CONNECTION WITH OUR WORK ALL RIGHTS OF DESIGN AND INVENTION ARE RESERVED THIS IS AN ELECTRONICALLY GENERATED DOCUMENT - DO NOT SCALE THIS PRINT				RFP	09-25-2006	CAD FILE	SS622146	
				DIST	MAR-WA-WP	SIZE	DRAWING NO. PAGE OF REV.	
						B	SS622146 01	

VIEW FROM OUTSIDE OF MOTOR AT SWITCH END.



VOLTAGE	L1	L2	L3	JOIN & INSULATE
HIGH	T1	T2	T3	(T4,T7) (T5,T8) (T6,T9)
LOW	T1,T7	T2,T8	T3,T9	T4,T5,T6

		TOLERANCES UNLESS SPECIFIED		DRAWN RDW 04/12/02					
		DEC.	INCHES	CHK					
		.X	±.1	APPD					
		.XX	±.01	SCALE 1=1					
		.XXX	±.005	REF FIG.2-51					
		.XXXX	±.0005	FMF					
NO.	REVISION	BY & DATE	CHK	ANG	FINISH	PREV			
				±1/2'					
THIS DRAWING IN DESIGN AND DETAIL IS OUR PROPERTY AND MUST NOT BE USED EXCEPT IN CONNECTION WITH OUR WORK ALL RIGHTS OF DESIGN AND INVENTION ARE RESERVED THIS IS AN ELECTRONICALLY GENERATED DOCUMENT - DO NOT SCALE THIS PRINT			RFP	04/12/02	CAD FILE	00501001ME	SIZE	DRAWING NO.	REV.
			DIST				A	005010-01ME	



TITLE EXTERNAL WIRING DIAGRAM  
3 PHASE W/O PROTECTOR  
MAT'L. DECAL - 004014