

PRODUCT INFORMATION PACKET



Model No: 145TTDR6133

Catalog No: U424A

General Purpose Motor, 2 & 1.50 HP, 3 Ph, 60 & 50 Hz, 230/460 & 190/380 V, 1800 & 1500 RPM,
145T Frame, DP



Regal and LEESON are trademarks of Regal Rexnord Corporation or one of its affiliated companies.
©2025 Regal Rexnord Corporation, All Rights Reserved. MC017097E



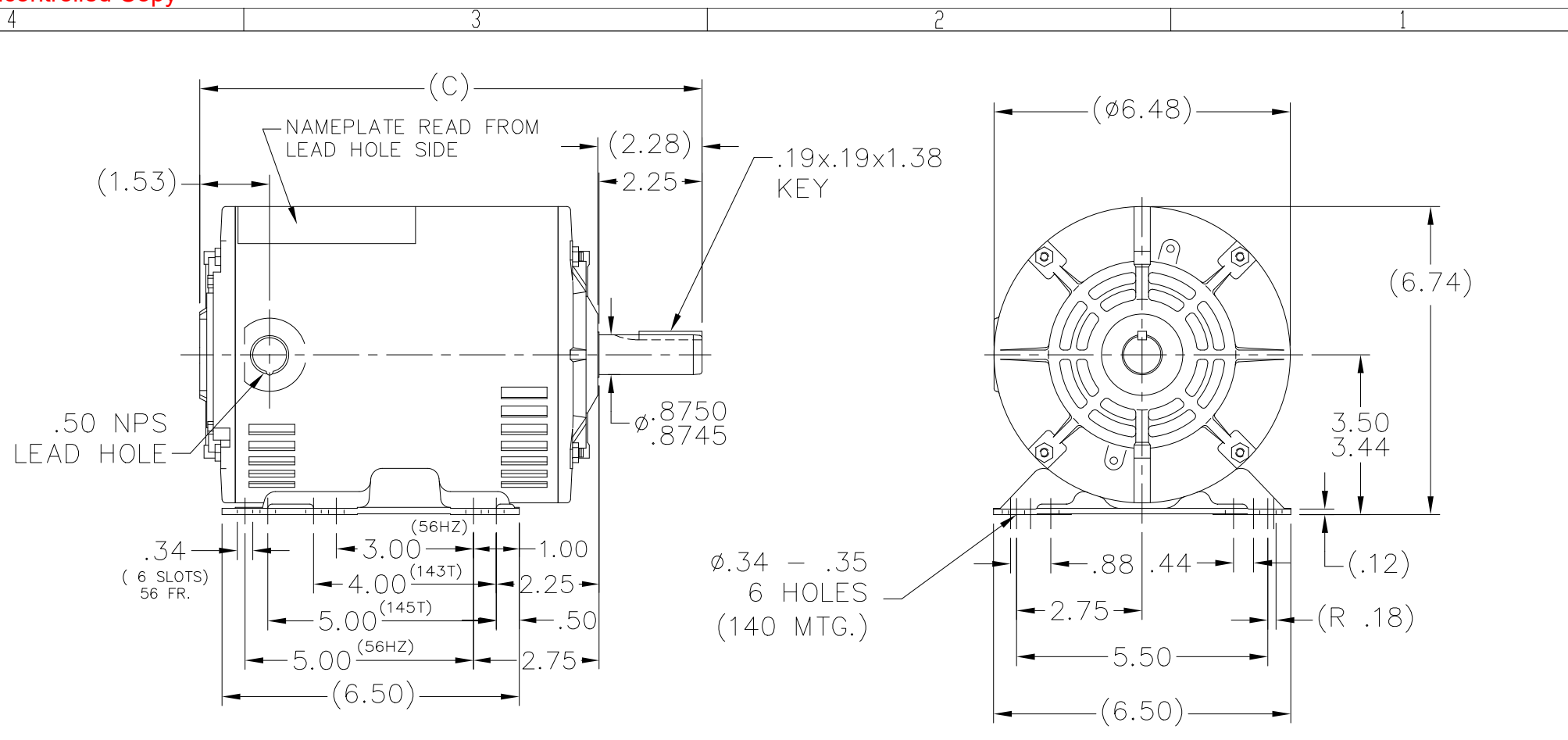


Nameplate Specifications

| | | | |
|------------------------|----------------------------|----------------------------|--------------------------------|
| Phase | 3 | Output HP | 2 & 1.50 Hp |
| Output KW | 1.5 & 1.1 kW | Voltage | 230/460 & 190/380 V |
| Speed | 1750 & 1460 rpm | Service Factor | 1.15 & 1.15 |
| Frame | 145T | Enclosure | Drip Proof |
| Thermal Protection | Automatic | Efficiency | 86.5 & 85.5 % |
| Ambient Temperature | 40 °C | Frequency | 60 & 50 Hz |
| Current | 6/3 & 5.6/2.8 A | Power Factor | 74.5 |
| Duty | Continuous | Insulation Class | B |
| Design Code | B | KVA Code | N |
| Drive End Bearing Size | 6205 | Opp Drive End Bearing Size | 6203 |
| UL | Recognized | CSA | Y |
| CE | Y | IP Code | 22 |
| Number of Speeds | 1 | | |

Technical Specifications

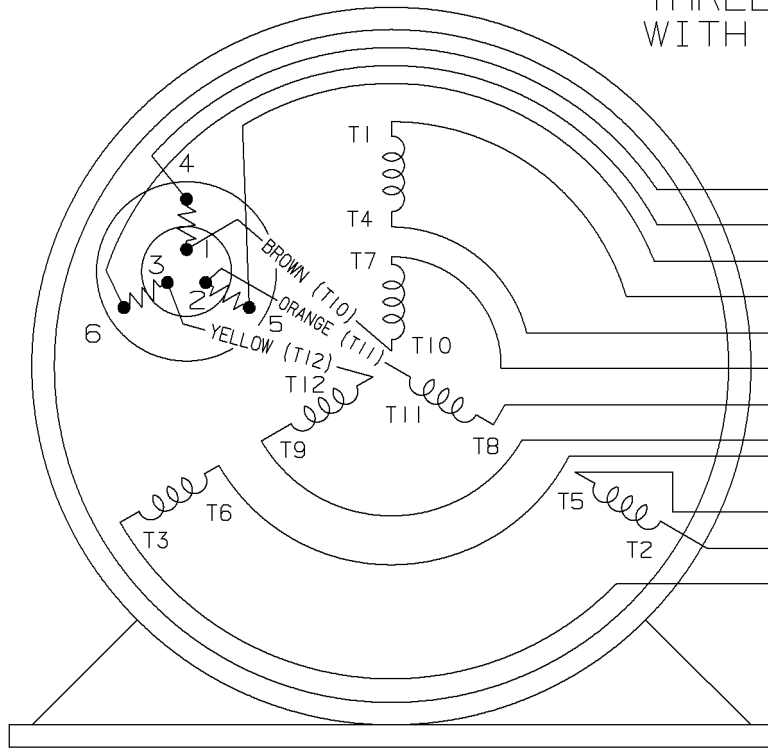
| | | | |
|-----------------------|------------------------------------|-----------------------|------------------------|
| Electrical Type | Squirrel Cage Induction Run | Starting Method | Across The Line |
| Poles | 4 | Rotation | Reversible |
| Resistance Main | 6.4 Ohms | Mounting | Rigid Base |
| Motor Orientation | Horizontal | Drive End Bearing | Ball |
| Opp Drive End Bearing | Ball | Frame Material | Rolled Steel |
| Shaft Type | T | Overall Length | 13.49 in |
| Frame Length | 9.56 in | Shaft Diameter | 0.875 in |
| Shaft Extension | 2.28 in | Assembly/Box Mounting | F1 ONLY |
| Connection Drawing | A-102007-1 | Outline Drawing | A-100165-956 |



| DASH | FR. | C | DASH | FR. | C |
|------|-----------|-------|------|-----------|-------|
| 706 | 140T/56HZ | 10.99 | 906 | 140T/56HZ | 12.99 |
| 756 | 140T/56HZ | 11.49 | 956 | 140T/56HZ | 13.49 |
| 806 | 140T/56HZ | 11.99 | 1006 | 140T/56HZ | 13.99 |
| 856 | 140T/56HZ | 12.49 | | | |

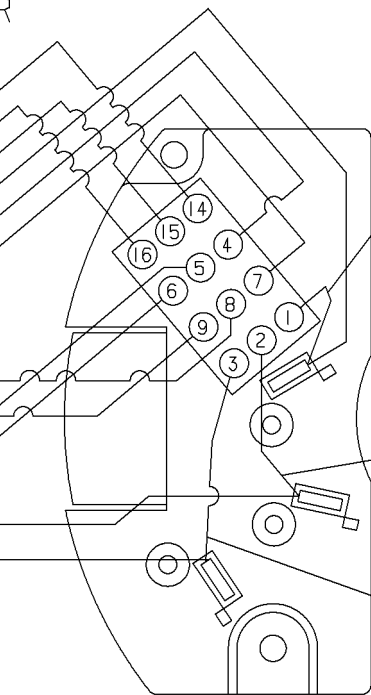
| | | | | | |
|---|--------------------|------------------------------|--|--------------------------|--|
| DRAWING REVISION D | REVISION BY GKB | REV DATE/ DATE 04/18/2025 | TOLERANCES (EXCEPT AS NOTED): DEC. INCH mm ANGLE .X ±0.1 [±3] ±0.5° .XX ±0.01 [±0.3] .XXX ±0.005 [±0.13] .XXXX ±0.0005 [±0.013] REMOVE BURRS & BREAK SHARP EDGES: .003/.015 [.08/.38] X 45 CORNER FILLETS: R.02 [.5] MACHINED SURFACES: 125/ 3.2 INCH mm | DRAWN BY MH | Regal Beloit America, Inc. |
| REQUEST NUMBER ECR-0242041 | APPROVED BY RK | DATE 04/18/2025 | DATE 03/25/1998 | DATE 03/25/1998 | |
| REQUEST NUMBER DESCRIPTION CHANGED FROM MARATHON TO RRX TEMPLATE | | | REFERENCE | MAT'L | DESCRIPTION OUTLINE 140 & 56HZ-DR.PR-TS-BB |
| <small>COPYRIGHT (PER REVISION DATE) REGAL BELOIT AMERICA, INC. ALL RIGHTS RESERVED. PROPRIETARY AND CONFIDENTIAL INFORMATION - THIS DOCUMENT IS THE PROPERTY OF REGAL BELOIT AMERICA, INC. (OWNER) AND CONTAINS OWNER'S PROPRIETARY INFORMATION. ANY PERSON, CORPORATION OR OTHER FIRM RECEIVING IT IS DEEMED, BY RECEIVING IT, TO AGREE THAT IT, AND/OR ANY PART OF IT, SHALL NOT BE DISCLOSED TO ANY PERSON, CORPORATION OR OTHER ENTITY, DUPLICATED, AND/OR USED, EXCEPT AS EXPRESSLY APPROVED IN WRITING IN ADVANCE BY OWNER. THIS DOCUMENT SHALL BE RETURNED TO OWNER UPON REQUEST. IT MAY BE SUBJECT TO CERTAIN RESTRICTIONS UNDER APPLICABLE EXPORT CONTROL LAWS AND REGULATIONS.</small> | | | THIRD ANGLE PROJECTION | SIZE D | PROCESS/FINISH |
| | | | | DRAWING NUMBER 100165 | SHEET 1 OF 1 |

THREE PHASE-DUAL VOLTAGE WITH THERMAL PROTECTOR



VIEW OF TERMINAL END

- (T14) BROWN
- (T16) YELLOW
- (T15) ORANGE
- (T1) RED
- T4
- T7
- T8
- T9
- T6
- T5
- (T2) BLUE
- (T3) BLACK

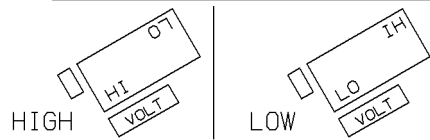


VIEWING BOTTOM OF TERMINAL BOARD

RED
 NUMBERS SHOWN ON TERM BOARD ARE FOR REF. ONLY.
 (NUMBERS DO NOT APPEAR ON PARTS.)

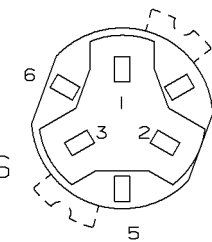
BLUE
 BLACK


TO CHANGE VOLTAGE, PULL PLUG, ROTATE 180° AND REINSERT



CONNECT LINES TO L1, L2 & L3

NOTE:
 ACTUAL PROTECTORS TERMINAL LOCATIONS FOR LEAD CONNECTIONS



| | | | | | | | | |
|-----|------------|--|------|---|--|--|--|------------------------|
| 4 | 06-26-1995 | 1,2,3 WERE SWITCHED WITH 4,5,6 ON THE TERMINAL CN 20644 | BR | ✓ MAX. SURFACE ROUGHNESS UNLESS NOTED OTHERWISE | UNLESS OTHERWISE SPECIFIED DIMENSIONS ARE IN INCHES TOL. ON XX±.02 XXX±.005 XXXX±.0005 ANGLES± 7°30" | | | |
| 3 | 05-18-1994 | ADDED ACTUAL PROTECTOR VIEW CN 17481 | KL | MATL SPEC |  Regal Beloit America, Inc. | | | DRAWN BY RM 07-20-1993 |
| 2 | 07-20-1993 | REDRAWN ON CADD, ORIGINAL LOST. REV. VCD TO COLORED LEADS CNI3741 | RM | FINISH | | | | CHKD BY ET 07-20-1993 |
| REV | DATE | CHANGE | NAME | REFERENCE DRW. | | | | APPD BY ET 07-20-1993 |
| | | | | PART NAME CONNECTION DIAGRAM 3Ø - DUAL VOLTAGE MOTOR | DRWG NO A- 102007-1 | | | |

SHOP BOOK

PURCHASED

DISTRIBUTION - WA - LB - WP - LM - BR

CADD FILE NO.

102007-1

CERTIFICATION DATA SHEET

Model#: 145TTDR6133 AA
CONN. DIAGRAM: A-102007-1
OUTLINE: A-100165-956

WINDING#: ZT4260 NONE 1
ASSEMBLY: F1 ONLY

TYPICAL MOTOR PERFORMANCE DATA

| HP | KW | SYNC. RPM | F.L. RPM | FRAME | ENCLOSURE | KVA CODE | DESIGN |
|---------|-----------|-----------|-----------|-------|-----------|----------|--------|
| 2&1 1/2 | 1.49&1.12 | 1800 | 1750&1460 | 145T | DP | N | B |

| PH | Hz | VOLTS | FL AMPS | START TYPE | DUTY | INSL | S.F | AMB°C | ELEVATION |
|----|-------|---------------------|-------------|--------------------|----------------|------|-----------|-------|-----------|
| 3 | 60/50 | 230/460#190/ 380 | 6/3&5.6/2.8 | ACROSS THE LINE | CONTINUOU S | B3 | 1.15/1.15 | 40 | 3300 |

| FULL LOAD EFF: 86.5&85.5 | 3/4 LOAD EFF: 85.8 | 1/2 LOAD EFF: 82.8 | GTD. EFF | ELEC. TYPE | NO LOAD AMPS |
|-----------------------------|--------------------|--------------------|----------|-----------------|--------------|
| FULL LOAD PF: 74.5&72 | 3/4 LOAD PF: 65.3 | 1/2 LOAD PF: 53.8 | 84 | SQ CAGE IND RUN | 3.5 / 1.8 |

| F.L. TORQUE | LOCKED ROTOR AMPS | L.R. TORQUE | B.D. TORQUE | F.L. RISE°C |
|-------------|-------------------|----------------|----------------|-------------|
| 6 LB-FT | 56.8 / 28.4 | 24.1 LB-FT 402 | 30.7 LB-FT 512 | 38 |

| SOUND PRESSURE @ 3 FT. | SOUND POWER | ROTOR WK^2 | MAX. WK^2 | SAFE STALL TIME | STARTS /HOUR | APPROX. MOTOR WGT |
|---------------------------|-------------|--------------|------------|-----------------|-----------------|----------------------|
| 56 dBA | 66 dBA | 0.09 LB-FT^2 | 12 LB-FT^2 | 15 SEC. | 2 | 45.4 LBS. |

***** SUPPLEMENTAL INFORMATION *****

| DE BRACKET TYPE | ODE BRACKET TYPE | MOUNT TYPE | ORIENTATION | SEVERE DUTY | HAZARDOUS LOCATION | DRIP COVER | SCREENS | PAINT |
|--------------------|---------------------|---------------|-------------|----------------|-----------------------|---------------|---------|------------------|
| STANDARD | STANDARD | RIGID | HORIZONTAL | FALSE | NONE | FALSE | NONE | BLUE (POWDER) |

| BEARINGS | | GREASE | SHAFT TYPE | SPECIAL DE | SPECIAL ODE | SHAFT MATERIAL | FRAME MATERIAL |
|----------|------|------------|------------|------------|-------------|--------------------------------|-------------------|
| DE | OPE | | | | | | |
| BALL | BALL | POLYREX EM | T | NONE | NONE | 1144 STRESSPROOF (C-223) | ROLLED STEEL |
| 6205 | 6203 | | | | | | |

| THERMO-PROTECTORS | | | | THERMISTORS | CONTROL | SPACE /n HEATERS |
|-------------------|------------|----------|----------|-------------|---------|------------------|
| THERMOSTATS | PROTECTORS | WDG RTDs | BRG RTDs | | | |
| NONE | AUTOMATIC | NONE | NONE | NONE | FALSE | NONE VOLTS |

If Inverter equals NONE, contact factory for further information

| |
|---------------------------|
| INVERTER TORQUE: NONE |
| INV. HP SPEED RANGE: NONE |
| ENCODER: NONE |
| NONE NONE |
| NONE NONE PPR |
| BRAKE: NONE NONE |
| NONE P/N NONE |
| NONE NONE |
| NONE FT-LB NONE V NONE Hz |

*
N
O
T
E
S
*

DATE: 06/23/2017 06:56:07 AM

FORM 3531 REV.3 02/07/99

** Subject to change without notice.

Data Sheet

Date: 15-06-2017
 Customer: _____
 Attention: _____
 Submitted by: FAREEDA DUDEKULA



145TTDR6133

Submittal

Data @ 460 V

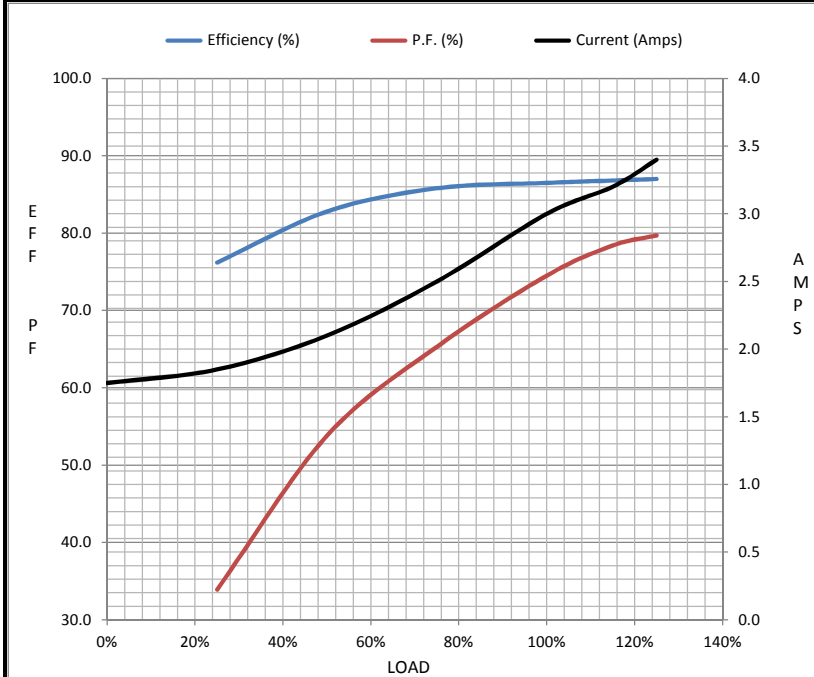
Motor Load Data

| Load | 0% | 25% | 50% | 75% | 100% | 115% | 125% | LR |
|----------------|------|------|------|------|------|-------|------|------|
| Current (Amps) | 1.75 | 1.85 | 2.10 | 2.50 | 3.0 | 3.2 | 3.4 | 28.4 |
| Torque (ft-lb) | 0.00 | 1.50 | 2.95 | 4.5 | 6.0 | 7.0 | 7.6 | 24.1 |
| RPM | 1800 | 1789 | 1778 | 1765 | 1750 | 1,745 | 1740 | 0 |
| Efficiency (%) | | 76.2 | 82.8 | 85.8 | 86.5 | 86.8 | 87.0 | |
| P.F. (%) | 7.9 | 33.9 | 53.8 | 65.3 | 74.5 | 78.4 | 79.7 | 71.5 |

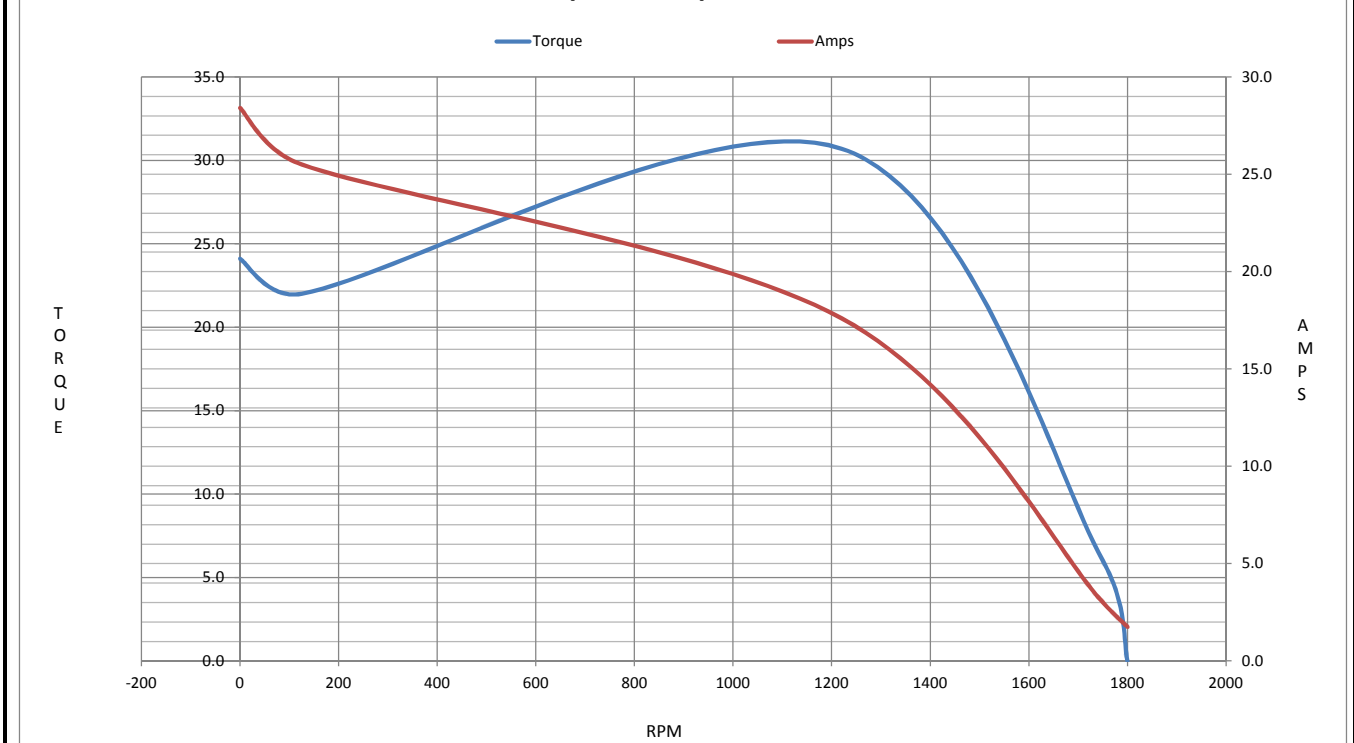
Motor Speed Data

| | LR | Pull-Up | BD | Rated | Idle |
|----------------|------|---------|------|-------|------|
| Speed (RPM) | 0 | 125 | 1220 | 1750 | 1800 |
| Current (Amps) | 28.4 | 25.5 | 17.6 | 3.0 | 1.75 |
| Torque (ft-lb) | 24.1 | 22.0 | 30.7 | 6.0 | 0.00 |

| Information Block | | | | |
|-----------------------------|-------------------------|--------|--------|----------|
| HP | 2.0 | | | |
| Sync. RPM | 1800 | | | |
| Frame | 56 | | | |
| Enclosure | DP | | | |
| Construction | TDR | | | |
| Voltage | 230/460#190/38(V) | | | |
| Frequency | 60 Hz | | | |
| Design | A | | | |
| LR Code letter | N | | | |
| Service Factor | 1.15 | | | |
| Temp Rise @ FL | 38 ° C | | | |
| Duty | CONT | | | |
| Ambient | 40 ° C | | | |
| Elevation | 1,000 feet | | | |
| Rotor/Shaft wk ² | 0.09 Lb-Ft ² | | | |
| Ref Wdg | ZT4260 NONE | | | |
| Sound Pressure @ 1M | 56 dBA | | | |
| VFD Rating | NONE | | | |
| Outline Dwg | A-100165-956 | | | |
| Conn. Diag | A-102007-1 | | | |
| Additional Specifications: | | | | |
| 0 | | | | |
| 365THFS8036 | | | | |
| EQUIV CKT (OHMS / PHASE) | | | | |
| R1 | R2 | X1 | X2 | Xm |
| 4.1180 | 3.2660 | 6.2480 | 5.6800 | 163.3000 |



Speed - Torque Curve



EC Declaration of Conformity

The undersigned representing
the manufacturer:

Regal Beloit America
1946 West Cook Road
Fort Wayne, IN 46818

and the authorized representative
established within the Community:

Regal Beloit Italy
Via Modena, 18
24040 Ciserano(BG) - Italy

are committed to providing customers with products that comply with applicable regulations and international protocols to which they are subject, including the requirements of the European Parliament Directive on the Harmonization of the laws relating to electrical equipment designed for use within certain voltage limits (2014/35/EU).

Regal Beloit America declares that the following product(s), to which this declaration relates, are in conformity with the relevant sections of the EC standards listed below.

This statement supersedes any statements previously issued pertaining to the product(s) listed below and is subject to change without notice.

Model No : 145TTDR6133

(Model No. may contain prefix and/or suffix characters)

Catalog No : U424A

Rework No : N/A

Directives :

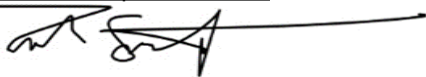
Low Voltage Directive 2014/35/EU

Harmonized Standards Used :

EN 60034-1: 2010 (IEC 60034-1: 2010)

EN 60034-5: 2001/A1:2007 (IEC 60034-5: 2000/A1:2006)

Authorized Representative:



Zach Stauffer
Vice President, Engineering

Authorized Representative in the Community:



Stefano Casiraghi
Technology Director, Engineering

Created on 07/08/2025

CE 25