

PRODUCT INFORMATION PACKET



Model No: 145B17DRR40002A1

Catalog No: C191A

General Purpose Motor, 1.50 HP, 1 Ph, 60 Hz, 115/230 V, 1800 RPM, 145 Frame, DP

Operational at 115/208-230 V @60HZ

Regal and LEESON are trademarks of Regal Rexnord Corporation or one of its affiliated companies.
©2025 Regal Rexnord Corporation, All Rights Reserved. MC017097E





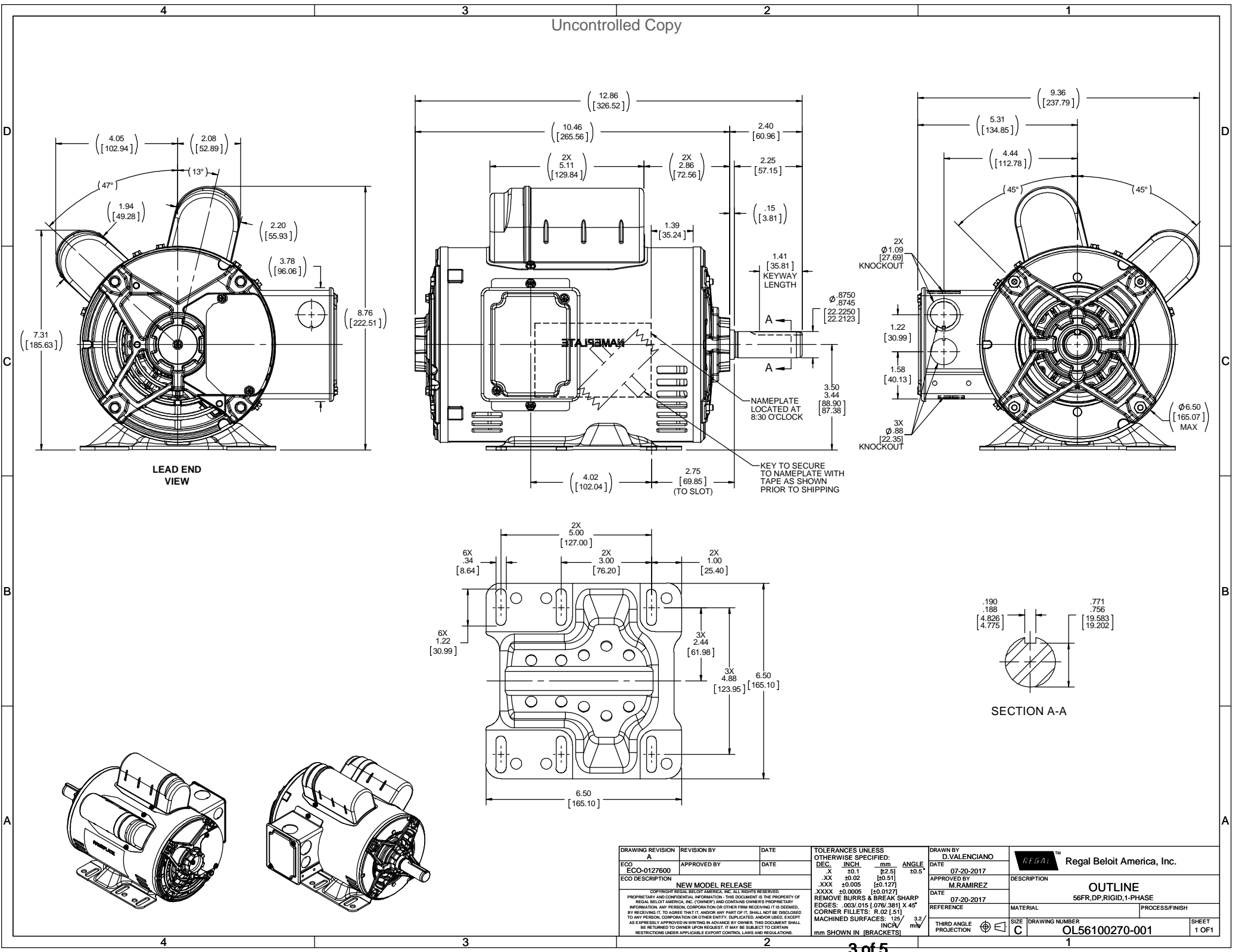
Nameplate Specifications

Phase	1	Output HP	1.50 Hp
Output KW	1.1 kW	Voltage	115/230 V
Speed	1725 rpm	Service Factor	1.15
Frame	145	Enclosure	Drip Proof
Thermal Protection	No Protection	Efficiency	78 %
Ambient Temperature	40 °C	Frequency	60 Hz
Current	13.2/6.7 A	Power Factor	95
Duty	Continuous	Insulation Class	B
Design Code	NO DESIGN CODE	KVA Code	K
Drive End Bearing Size	6205	Opp Drive End Bearing Size	6203
UL	Recognized	CSA	Y
CE	Y	IP Code	22
Number of Speeds	1		

Technical Specifications

Electrical Type	Capacitor Start Capacitor Run	Starting Method	Across The Line
Poles	4	Rotation	Selective Counterclockwise
Mounting	Rigid Base	Motor Orientation	Horizontal
Drive End Bearing	Ball	Opp Drive End Bearing	Ball
Frame Material	Rolled Steel	Shaft Type	NEMA 56
Shaft Diameter	0.875 in	Assembly/Box Mounting	F1 ONLY
Connection Drawing	CDBD127	Outline Drawing	OL56100270-001

This is an uncontrolled document once printed or downloaded and is subject to change without notice. Date Created:07/28/2025

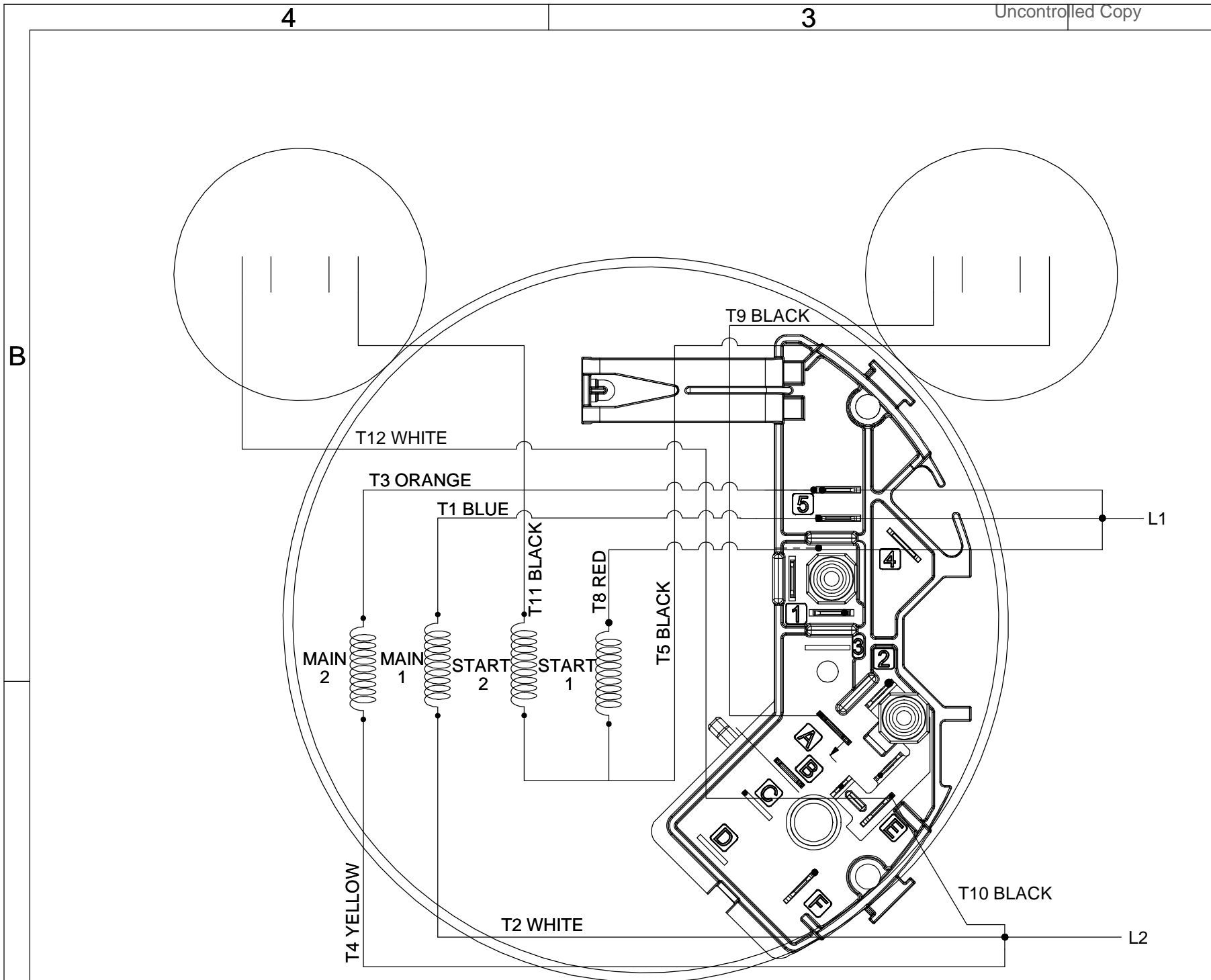


LEAD END VIEW

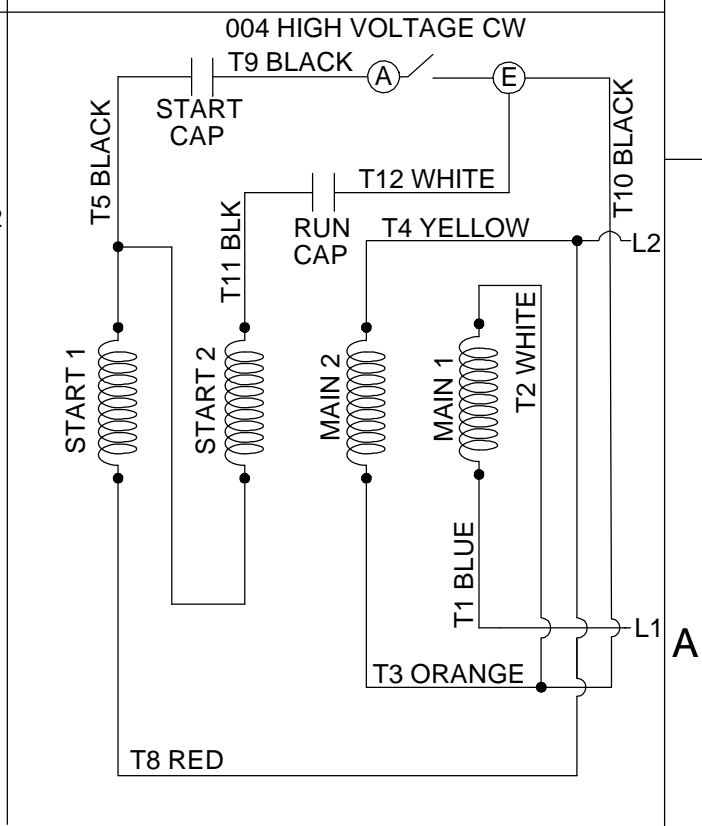
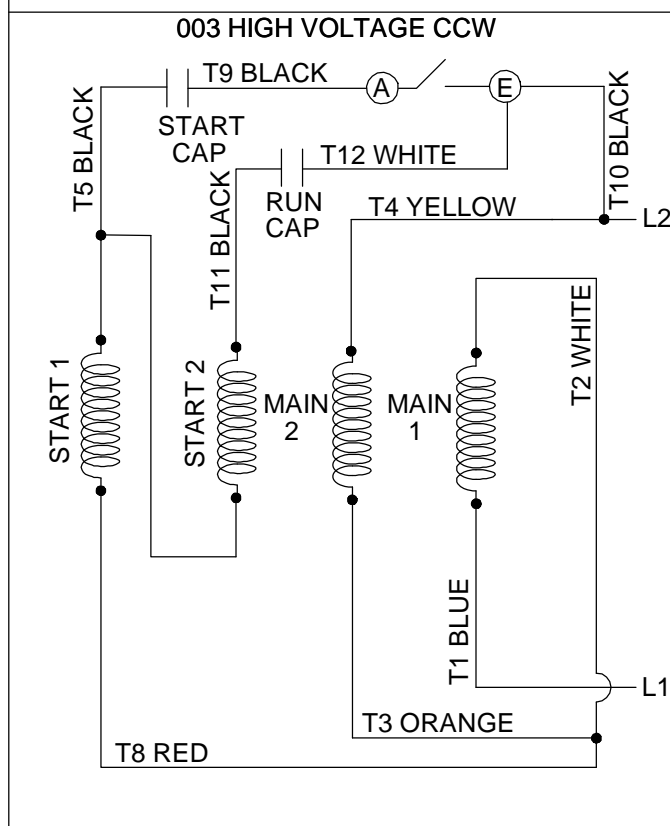
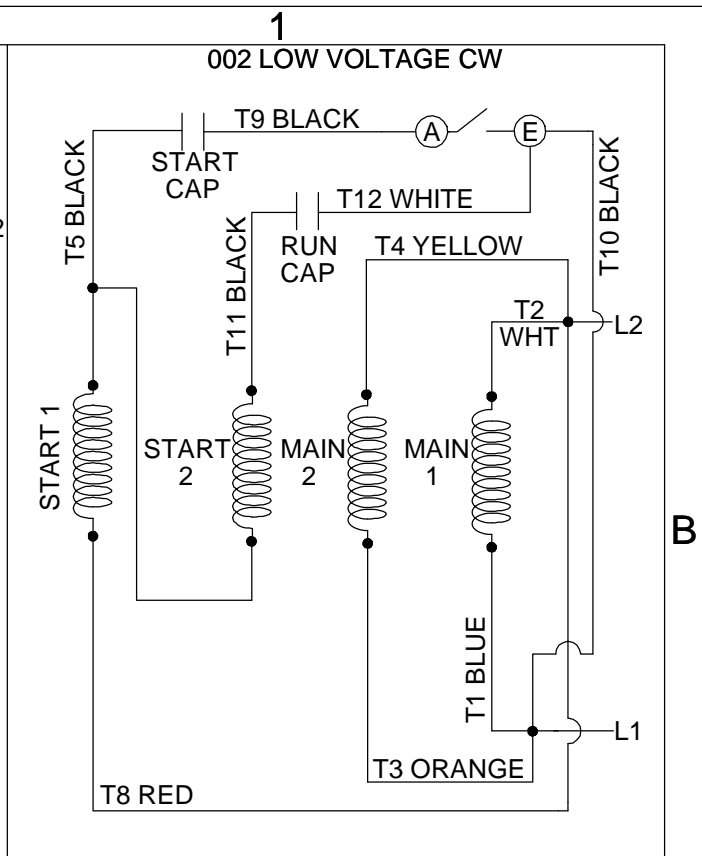
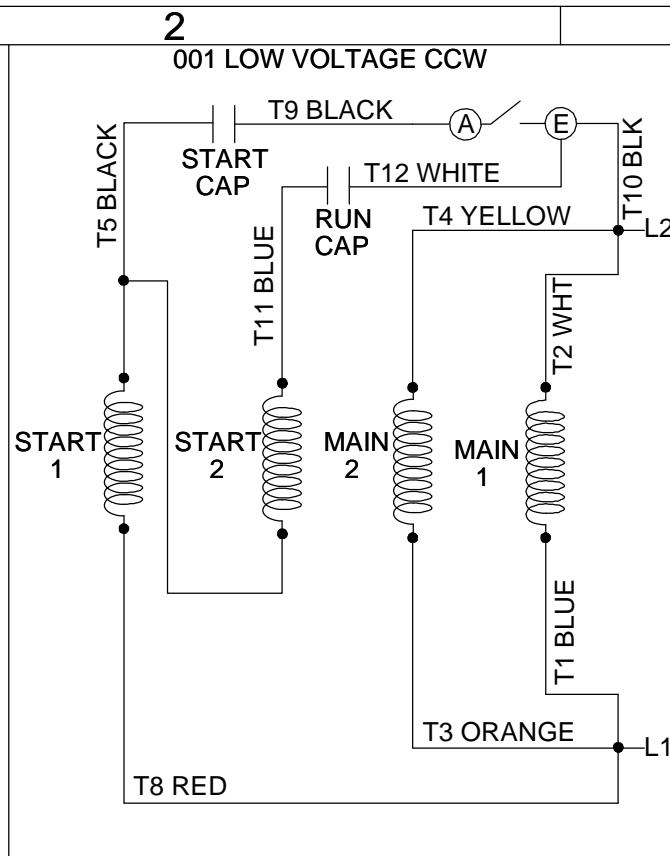
KEY TO SECURE TO NAMEPLATE WITH TAPE AS SHOWN PRIOR TO SHIPPING

SECTION A-A

DRAWING REVISION A		REVISION BY	DATE	TOLERANCES UNLESS OTHERWISE SPECIFIED:		DRAWN BY D.VALENCIANO	Regal Beloit America, Inc.
ECO-0127600		APPROVED BY	DATE	DEC.	INCH	mm	
ECO DESCRIPTION		NEW MODEL RELEASE		.X	±0.1	[±2.5]	±0.5°
COPYRIGHT REGAL BELOIT AMERICA, INC. ALL RIGHTS RESERVED. PROPRIETARY AND CONFIDENTIAL INFORMATION. THIS DOCUMENT IS THE PROPERTY OF REGAL BELOIT AMERICA, INC. FORMERLY AND CONTAINING OWNERS PROPRIETARY INFORMATION. ANY PERSON, CORPORATION OR OTHER FIRM RECEIVING IT IS DEEMED BY RECEIVING IT, TO AGREE THAT IT, AND/OR ANY PART OF IT, SHALL NOT BE DISCLOSED TO ANY PERSON, CORPORATION OR OTHER ENTITY, DUPLICATED, AND/OR USED, EXCEPT AS EXPRESSLY APPROVED IN WRITING IN ADVANCE BY OWNER. THIS DOCUMENT SHALL BE RETURNED TO OWNER UPON REQUEST. IT MAY BE SUBJECT TO CERTAIN RESTRICTIONS UNDER APPLICABLE EXPORT CONTROL LAWS AND REGULATIONS.				.XX		±0.02	[±0.51]
				.XXX		±0.005	[±0.127]
				.XXXX		±0.0005	[±0.0127]
				CORNER FILLETS:		R: 0.2	[5.1]
				MACHINED SURFACES:		125	3/2
				mm SHOWN IN		[BRACKETS]	INCH/milv
THIRD ANGLE PROJECTION		SIZE	DRAWING NUMBER	SHEET		1 OF 1	
C		OL56100270-001		1		3 of 5	



CCW/CW ROTATION-CAP START CAP RUN DUAL VOLTAGE



NOTES:

1. TO REVERSE ROTATION, INTERCHANGE RED T8 & BLACK T10.
2. TERMINAL BOARD ASSY: 10003284-001-001
3. CONNECTION DIAGRAM NAMEPLATE DD10125-001.

DRAWING REVISION B	REVISION BY G. RODRIGUEZ	DATE 12-18-2017
ECO ECO-0136629	APPROVED BY EVERTS MARTINEZ	DATE 12-18-2017
ECO DESCRIPTION SWITCH MAIN 1 WITH MAIN 2		
<small>COPYRIGHT REGAL BELOIT AMERICA, INC. ALL RIGHTS RESERVED. PROPRIETARY AND CONFIDENTIAL INFORMATION - THIS DOCUMENT IS THE PROPERTY OF REGAL BELOIT AMERICA, INC. ("OWNER") AND CONTAINS OWNER'S PROPRIETARY INFORMATION. ANY PERSON, CORPORATION OR OTHER FIRM RECEIVING IT IS DEEMED, BY RECEIVING IT, TO AGREE THAT IT, AND/OR ANY PART OF IT, SHALL NOT BE DISCLOSED TO ANY PERSON, CORPORATION OR OTHER ENTITY, DUPLICATED, AND/OR USED, EXCEPT AS EXPRESSLY APPROVED IN WRITING IN ADVANCE BY OWNER. THIS DOCUMENT SHALL BE RETURNED TO OWNER UPON REQUEST. IT MAY BE SUBJECT TO CERTAIN RESTRICTIONS UNDER APPLICABLE EXPORT CONTROL LAWS AND REGULATIONS.</small>		

TOLERANCES UNLESS OTHERWISE SPECIFIED:		
DEC.	INCH	mm
.X	±0.1	[±2.5]
.XX	±0.01	[±0.25]
.XXX	±0.005	[±0.127]
.XXXX	±0.0005	[±0.0127]
REMOVE BURRS & BREAK SHARP EDGES: .003/.015 [.076/.381] CORNER FILLETS: .02 [.51] MACHINED SURFACES: 125 INCH 3.2 mm		
mm SHOWN IN [BRACKETS]		

DRAWN BY G. RODRIGUEZ	DATE 07-22-2016
APPROVED BY R. VALENZUELA	DATE 07-22-2016
REFERENCE CDCD102	THIRD ANGLE PROJECTION

Regal Beloit America, Inc.	
DESCRIPTION CONN DIAGRAM-EXTERNAL	
MATERIAL	PROCESS/FINISH
SIZE B	DRAWING NUMBER CDBD127
SHEET 1 OF 1	

EC Declaration of Conformity

The undersigned representing
the manufacturer:

Regal Beloit America
1946 West Cook Road
Fort Wayne, IN 46818

and the authorized representative
established within the Community:

Regal Beloit Italy
Via Modena, 18
24040 Ciserano(BG) - Italy

are committed to providing customers with products that comply with applicable regulations and international protocols to which they are subject, including the requirements of the European Parliament Directive on the Harmonization of the laws relating to electrical equipment designed for use within certain voltage limits (2014/35/EU).

Regal Beloit America declares that the following product(s), to which this declaration relates, are in conformity with the relevant sections of the EC standards listed below.

This statement supersedes any statements previously issued pertaining to the product(s) listed below and is subject to change without notice.

Model No : 145B17DRR40002A1

(Model No. may contain prefix and/or suffix characters)

Catalog No : C191A

Rework No : N/A

Directives :

Low Voltage Directive 2014/35/EU

Harmonized Standards Used :

EN 60034-1: 2010 (IEC 60034-1: 2010)

EN 60034-5: 2001/A1:2007 (IEC 60034-5: 2000/A1:2006)

Authorized Representative:



Zach Stauffer
Vice President, Engineering

Authorized Representative in the Community:



Stefano Casiraghi
Technology Director, Engineering

Created on 07/08/2025

CE 25