

PRODUCT INFORMATION PACKET



Model No: 132640.00
Catalog No: 132640.00
3 HP Crop Dryer Motor, 1 phase, 3600 RPM, 115/208-230 V, 182T Frame, TEFC
Crop Dryer Motors



Regal and Leeson are trademarks of Regal Beloit Corporation or one of its affiliated companies.
©2020 Regal Beloit Corporation, All Rights Reserved. MC017097E

The Regal logo is the word "REGAL" in a bold, sans-serif font, set within a dark grey, trapezoidal shape that tapers to the right. The background of the page features a vertical blue gradient with a halftone dot pattern on the right side.

REGAL



Nameplate Specifications

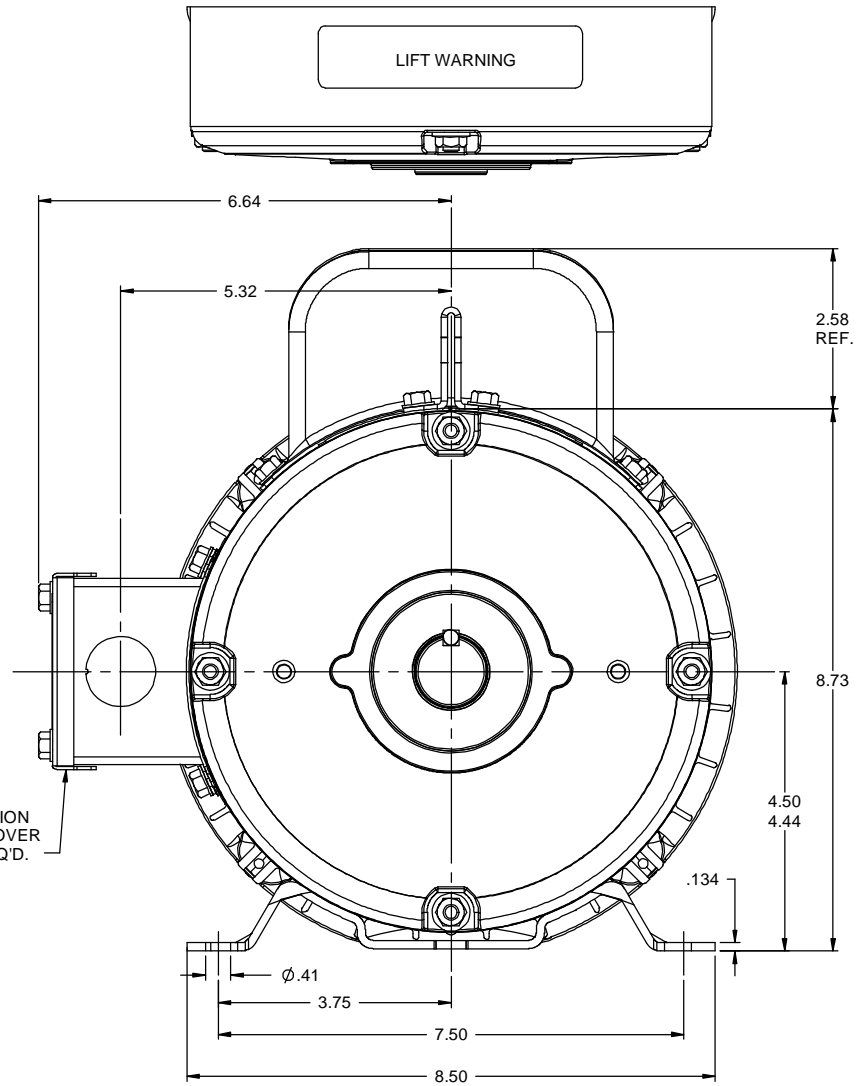
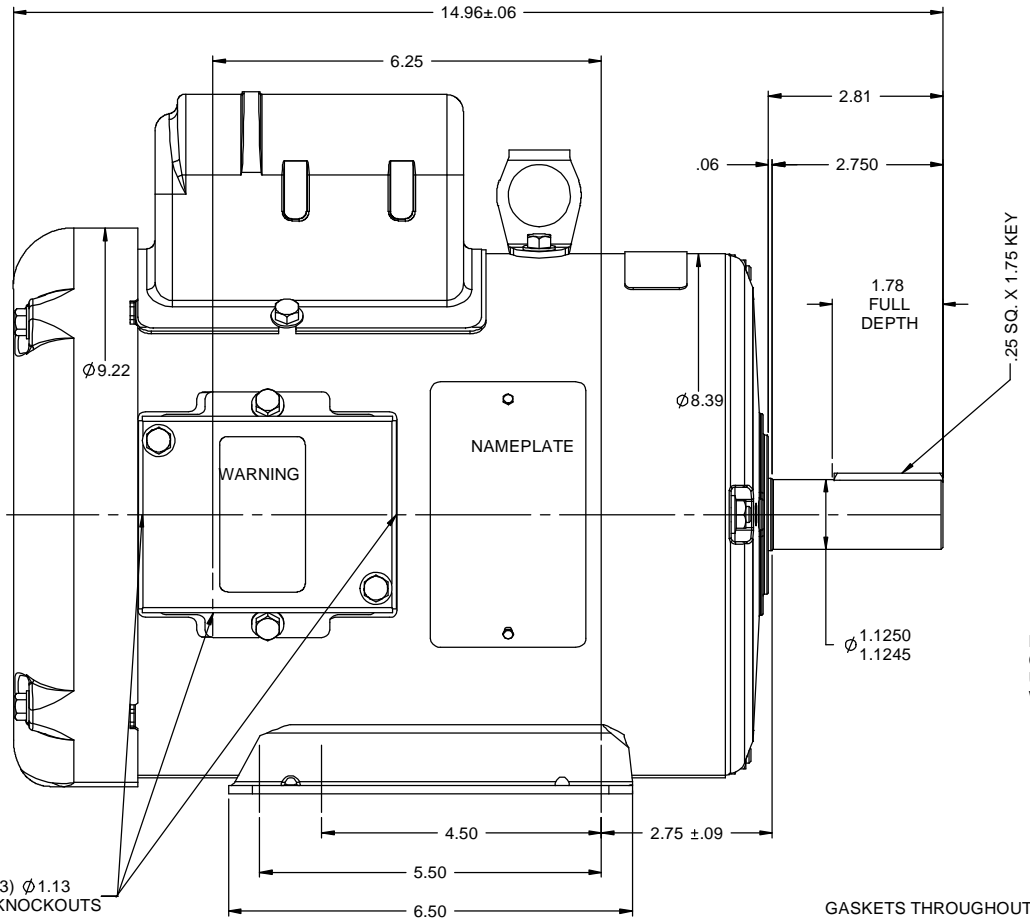
Output HP	3 Hp	Output KW	2.2 kW
Frequency	60 Hz	Voltage	115/208-230 V
Current	26.8/14.4-13.4 A	Speed	3500 rpm
Service Factor	1.15	Phase	1
Efficiency	80 %	Power Factor	89
Duty	Continuous	Insulation Class	F
Design Code	L	KVA Code	G
Frame	182T	Enclosure	Totally Enclosed Fan Cooled
Thermal Protection	No	Ambient Temperature	40 °C
Drive End Bearing Size	6206	Opp Drive End Bearing Size	6205
UL	Recognized	CSA	Y
CE	N	IP Code	43

Technical Specifications

Electrical Type	Capacitor Start Capacitor Run	Starting Method	Across The Line
Poles	2	Rotation	Selective Counterclockwise
Resistance Main	.12 Ohms	Mounting	Rigid base
Motor Orientation	Horizontal	Drive End Bearing	Ball
Opp Drive End Bearing	Ball	Frame Material	Rolled Steel
Shaft Type	T	Overall Length	14.96 in
Frame Length	9.50 in	Shaft Diameter	1.125 in
Shaft Extension	2.81 in	Assembly/Box Mounting	F1 ONLY
Outline Drawing	OL132311	Connection Drawing	005054.01

This is an uncontrolled document once printed or downloaded and is subject to change without notice. Date Created:20/05/2020



RBC PROPRIETARY AND CONFIDENTIAL INFORMATION
 This document is the property of REGAL BELOIT CORPORATION ("RBC") including its subsidiaries and divisions and contains proprietary information of RBC. This document is loaned on the express condition that neither it nor the information contained therein shall be disclosed to others without the express written consent of RBC, and that the information shall be used by the recipient only as approved expressly by RBC. This document shall be returned to RBC upon its request. This document may be subject to certain restrictions under U.S. export control laws and regulations.



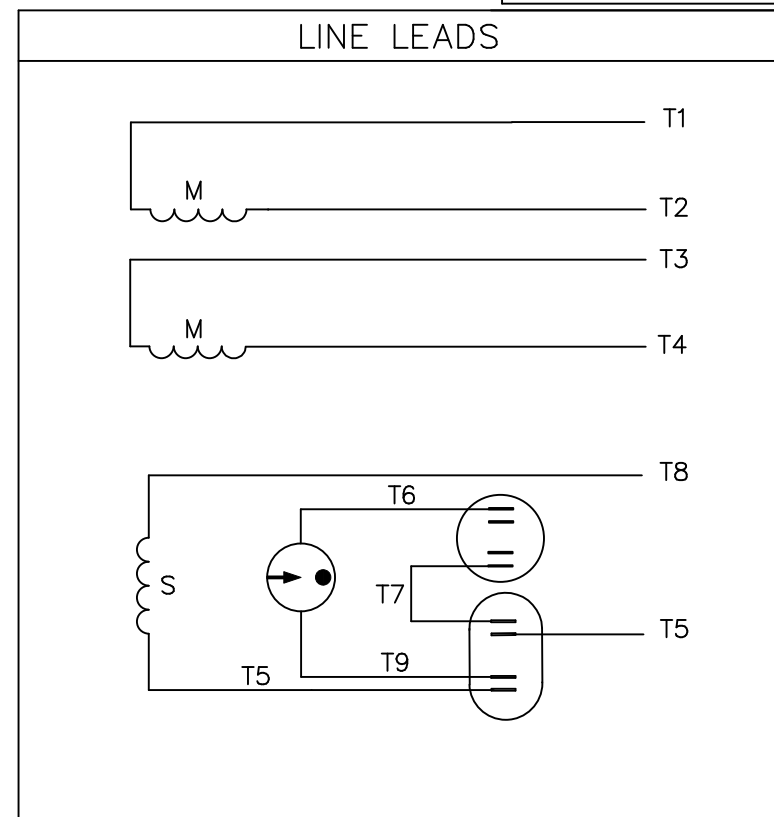
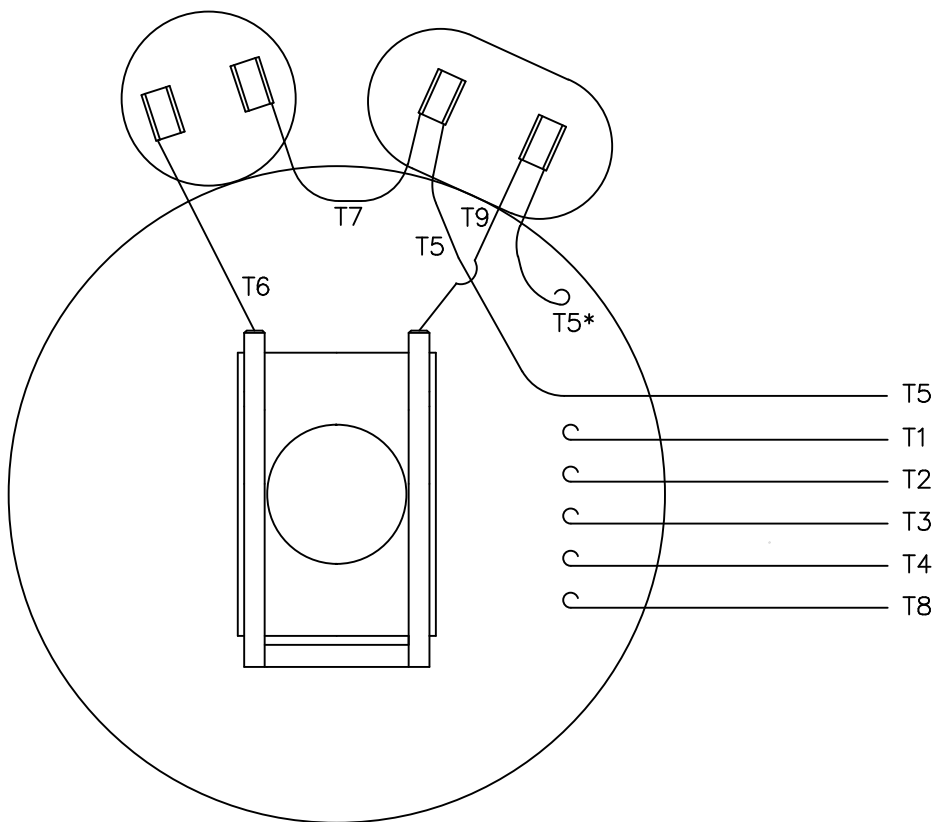
(3) Ø1.13
KNOCKOUTS

GASKETS THROUGHOUT

DECAL-
CONNECTION
UNDER COVER
WHEN REQ'D.


				TOLERANCES UNLESS SPECIFIED		 REGAL-BELOIT CORPORATION		DRAWN JD 02/09/2012		
				DEC	INCHES			CHK AK 02/09/2012		
				X	±.1	REGAL BELOIT TITLE OUTLINE - 180T FRAME TEFC - RIGID MOUNT		APPR		
				XX	±.03			SCALE 1:2		
				XXX	±.005			REF 035352		
				XXXX	±.0005			FMF 132311.00		
NO	REVISION			BY & DATE	CHK	ANG ±1/2°	FINISH	PAGE	OF	
THIRD ANGLE PROJECTION 				RFP	PREV	NETWORK FILE NAME OL132311		SIZE B	DRAWING NO OL132311	REV

VIEW FROM OUTSIDE OF MOTOR AT SWITCH END.



	ROTATION FACING LEAD END	L1	L2	JOIN
HIGH VOLT	C.C.W.	T1	T4 T5	T2,T3 T8
	C.W.	T1	T4 T8	T2,T3 T5
LOW VOLT	C.C.W.	T1 T3,T8	T2,T4 T5	
	C.W.	T1,T3 T5	T2,T4 T8	

* THIS LEAD MAY BE WHITE

		TOLERANCES UNLESS SPECIFIED		ELECTRIC MOTORS GEARMOTORS AND DRIVES		DRAWN JRW 09/27/74				
		DEC.	INCHES			CHK	TEM			
		.X	±.1			APPD	10/11/74			
11	ALTERNATE T5 LEAD MARKING WAS RED	RLW	8/6/02	.XX	±.01	TITLE	EXT. WIRING DIAGRAM TYPE "K" W/O PROTECTOR	SCALE	1=1	
10	ADDED ALTERNATE T5 LEAD MARKING	RLW	6/5/02	KH	.XXX	±.005	MAT'L.	DECAL-004012	REF	A-005053
09	REDRAWN TO CAD	DBT	05/28/97		.XXXX	±.0005	FINISH		FMF	W-K6343
NO.	REVISION	BY & DATE	CHK	ANG	±1/2'			PREV		
THIS DRAWING IN DESIGN AND DETAIL IS OUR PROPERTY AND MUST NOT BE USED EXCEPT IN CONNECTION WITH OUR WORK ALL RIGHTS OF DESIGN AND INVENTION ARE RESERVED THIS IS AN ELECTRONICALLY GENERATED DOCUMENT - DO NOT SCALE THIS PRINT				RFP	CAD FILE	00505401	SIZE	DRAWING NO.	REV.	
				DIST	BRF-NLV		A	005054-01	11	