

PRODUCT INFORMATION PACKET



Model No: 122108.00
Catalog No: 122108.00
1.50 HP Close-Coupled Pump Motor, 3 phase, 3600 RPM, 230/460 V, 143JPV Frame, TEFC
JP Motors



Regal and Leeson are trademarks of Regal Beloit Corporation or one of its affiliated companies.
©2019 Regal Beloit Corporation, All Rights Reserved. MC017097E





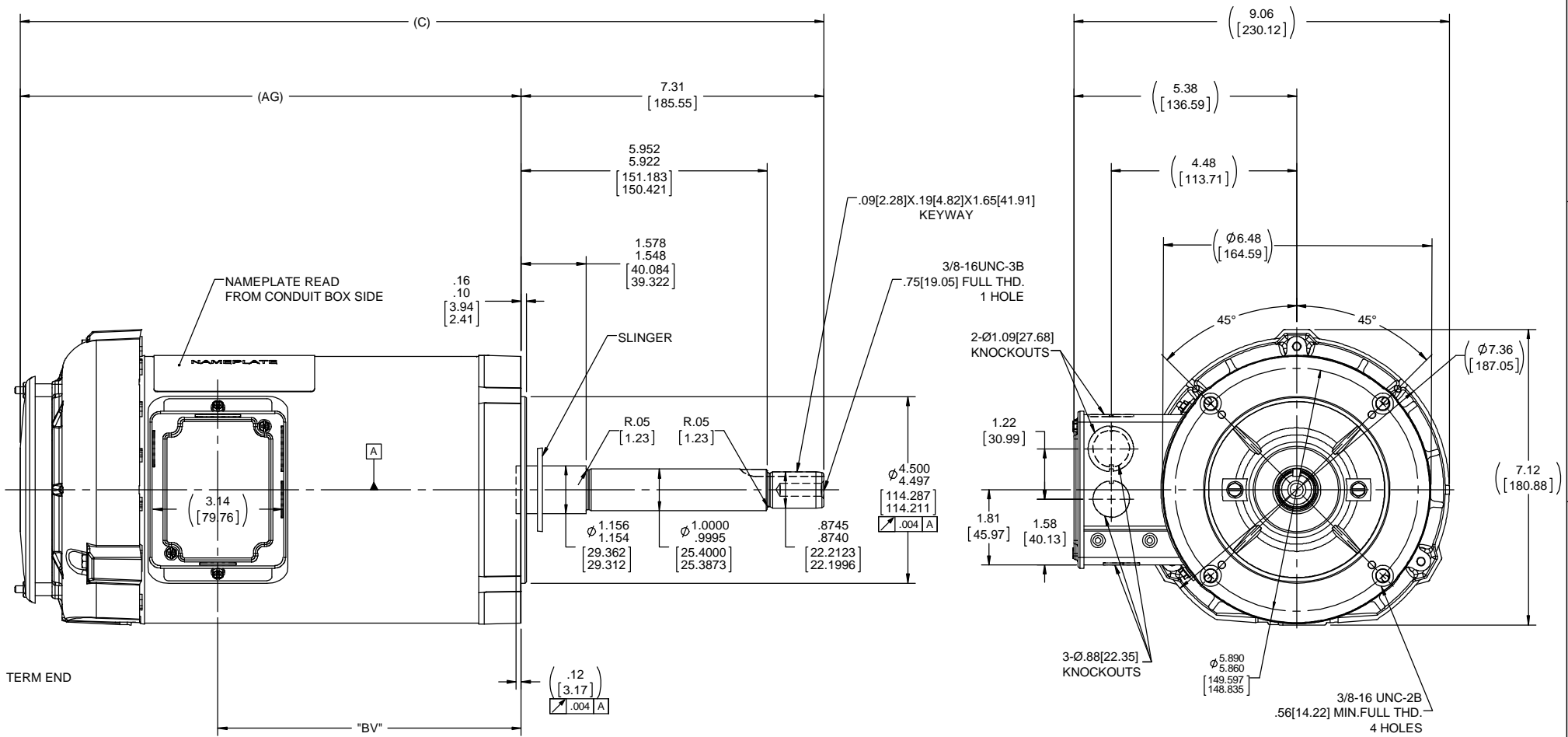
Nameplate Specifications

Output HP	1.50 Hp	Output KW	1.1 kW
Frequency	60 Hz	Voltage	230/460 V
Current	4.0/2.0 A	Speed	3515 rpm
Service Factor	1.15	Phase	3
Efficiency	84 %	Power Factor	83.5
Duty	Continuous	Insulation Class	F
Design Code	B	KVA Code	M
Frame	143JPV	Enclosure	Totally Enclosed Fan Cooled
Thermal Protection	No	Ambient Temperature	40 °C
Drive End Bearing Size	6206	Opp Drive End Bearing Size	6203
UL	Recognized	CSA	Y
CE	Y	IP Code	43

Technical Specifications

Electrical Type	Squirrel Cage Inverter Rated	Starting Method	Line Or Inverter
Poles	2	Rotation	Reversible
Resistance Main	9.27 Ohms	Mounting	Round
Motor Orientation	Horizontal Or Shaft Down	Drive End Bearing	Ball
Opp Drive End Bearing	Ball	Frame Material	Rolled Steel
Shaft Type	JP	Overall Length	19.35 in
Frame Length	8.06 in	Shaft Diameter	0.875 in
Shaft Extension	7.31 in	Assembly/Box Mounting	F1 Only

This is an uncontrolled document once printed or downloaded and is subject to change without notice. Date Created:01/11/2019



NOTE:
CONDUIT BOX CAN BE ROTATED 180°.

DASH NO.	"C"	"AG"	"BV"
656	17.90[454.66]	10.59[268.98]	5.82[147.82]
706	18.40[467.36]	11.09[281.68]	6.32[160.52]
756	18.90[480.06]	11.59[294.38]	6.82[173.22]
806	19.40[492.76]	12.09[307.08]	7.32[185.92]
856	19.90[505.46]	12.59[319.78]	7.82[198.62]
906	20.40[518.16]	13.09[332.48]	8.32[211.32]
956	20.90[530.86]	13.59[345.18]	8.82[224.02]

DRAWING REVISION B	REVISION BY A. KEETHA	DATE 01-29-2018	TOLERANCES UNLESS OTHERWISE SPECIFIED: DEC. INCH mm ANGLE .X ±0.1 [2.5] ±7 30° .XX ±0.02 [0.51] .XXX ±0.005 [0.127] .XXXX ±0.0005 [±0.0127]	DRAWN BY RM	Regal Beloit America, Inc.
ECCO-0143026	APPROVED BY PST	DATE 04/11/2018	REMOVE BURRS & BREAK SHARP EDGES: .003 [0.076] X 45° CORNER FILLETS: .1 R. [2.5] MACHINED SURFACES: 200/5.1 INCH/mil	DATE 10-23-1992	
ECCO DESCRIPTION OUTLINE CONVERSION PROJECT COPYRIGHT REGAL BELOIT AMERICA, INC. ALL RIGHTS RESERVED. PROPRIETARY AND CONFIDENTIAL INFORMATION. THIS DOCUMENT IS THE PROPERTY OF REGAL BELOIT AMERICA, INC. FORMERLY AND CONTAINING OWNERS PROPRIETARY INFORMATION. ANY PERSON, CORPORATION OR OTHER FIRM RECEIVING IT IS DEEMED TO HAVE AGREED TO THESE TERMS AND CONDITIONS. THIS DOCUMENT SHALL BE RETURNED TO OWNER UPON REQUEST. IT MAY BE SUBJECT TO CERTAIN RESTRICTIONS UNDER APPLICABLE EXPORT CONTROL LAWS AND REGULATIONS.				APPROVED BY MS	DESCRIPTION OUTLINE 140 FRAME-1Ø-BB-C'FACE-TEFC
				DATE 10-27-1992	MATERIAL PROCESS/FINISH
				REFERENCE 100659	
				THIRD ANGLE PROJECTION	SIZE DRAWING NUMBER 100659
					SHEET 1 OF 1

EE7308

THREE PHASE
DUAL VOLTAGE MOTOR



VIEW OF TERMINAL END

REF.
WINDING DIAGRAM

T8Y, T2Y, T2BL, T4BX, T2EC, T2G
T6BZ, T2B, T6BL, T4AV, T6B, T4B

OPTIONAL CORD
CONNECTION

L1 — WHITE
L2 — RED
L3 — BLACK

NO.	REVISION	BY & DATE	CHK	ANG	TOLERANCES UNLESS SPECIFIED		FINISH	DRAWN RM 11/20/1990				
					DEC.	INCHES						
5	CHG TO REGAL LOGO	SL 09/10/2015	AB					CHK ML 11/21/1990				
4	REVISED IEC NOTATIONS	MSG 11/15/2011	CMN	.X	±.1			APPD SAS 04/24/2003				
3	ADDED IEC NOTATIONS... (U1), (V1) ETC. MU95194	MSG 5/10/2010	MJS	.XX	±.02			SCALE 1=1				
2	ADDED THE OPTIONAL CORD CONNECTION MU46318	RDH 04/24/2003	DRS	.XXX	±.005		TITLE CONNECTION DIAGRAM 3Ø - DUAL VOLTAGE MOTOR	REF				
1	REDRAWN	RM 11/20/1990		.XXXX	±.0005		MAT'L.	FMF				
					±7'30"			PREV				
THIS DRAWING IN DESIGN AND DETAIL IS OUR PROPERTY AND MUST NOT BE USED EXCEPT IN CONNECTION WITH OUR WORK ALL RIGHTS OF DESIGN AND INVENTION ARE RESERVED THIS IS AN ELECTRONICALLY GENERATED DOCUMENT - DO NOT SCALE THIS PRINT							RFP	CAD FILE ee7308	SIZE A	DRAWING NO. EE7308	PAGE OF 5	REV. 5
							DIST WP					

