

PRODUCT INFORMATION PACKET



Model No: 121867.00

Catalog No: 121867.00

White Duck™ General Purpose Motor, 1 & 1 HP, 3 Ph, 60 & 50 Hz, 230/460 & 190/380 V, 1800 & 1500 RPM,
143TC Frame, TEFC

Operational at 208-230/460 V @60HZ



Regal and LEESON are trademarks of Regal Rexnord Corporation or one of its affiliated companies.
©2025 Regal Rexnord Corporation, All Rights Reserved. MC017097E



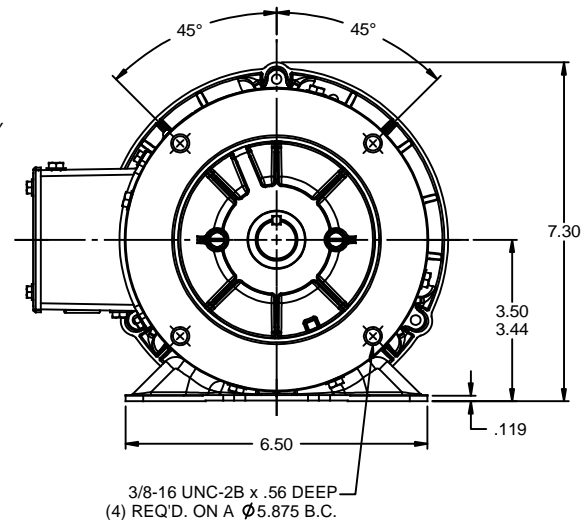
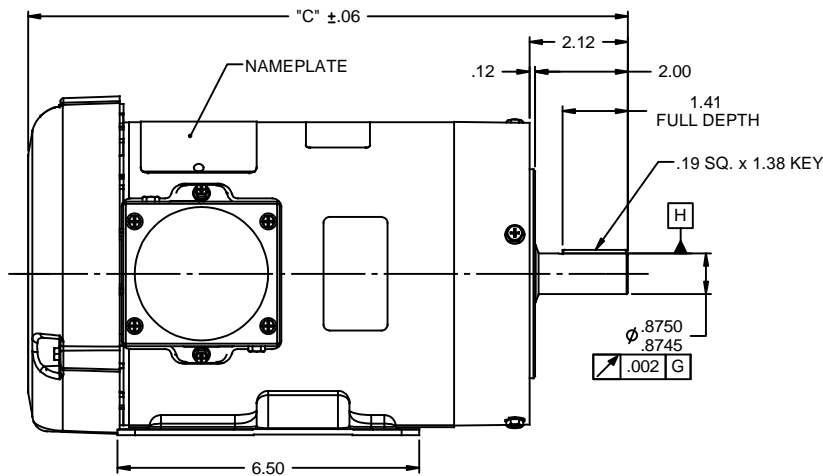
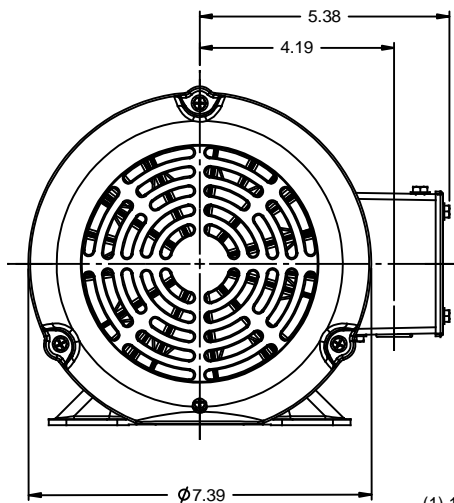


Nameplate Specifications

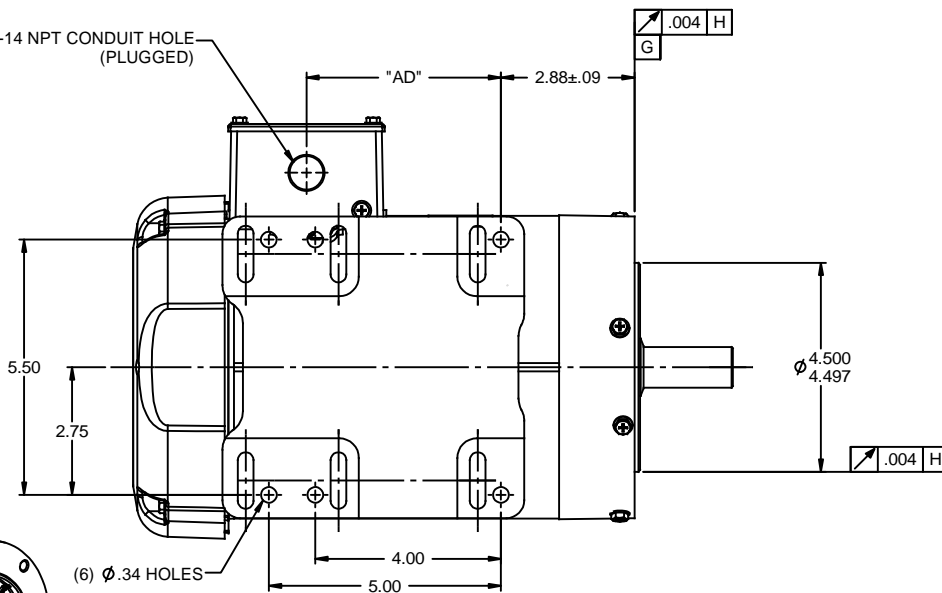
Phase	3	Output HP	1 & 1 Hp
Output KW	0.75 & 0.75 kW	Voltage	230/460 & 190/380 V
Speed	1760 & 1450 rpm	Service Factor	1.15 & 1.15
Frame	143TC	Enclosure	Totally Enclosed Fan Cooled
Thermal Protection	No Protection	Efficiency	85.5 & 85.5 %
Ambient Temperature	40 °C	Frequency	60 & 50 Hz
Current	3.2/1.6 & 3.4/1.7 A	Power Factor	68.5
Duty	Continuous	Insulation Class	F
Design Code	B	KVA Code	N
Drive End Bearing Size	6205	Opp Drive End Bearing Size	6203
UL	Recognized	CSA	Y
CE	Y	IP Code	55
Number of Speeds	1		

Technical Specifications

Electrical Type	Squirrel Cage Induction Run	Starting Method	Across The Line
Poles	4	Rotation	Reversible
Resistance Main	12.96 Ohms	Mounting	Rigid Base
Motor Orientation	Horizontal	Drive End Bearing	Ball
Opp Drive End Bearing	Ball	Frame Material	Rolled Steel
Shaft Type	T	Overall Length	13.68 in
Frame Length	7.75 in	Shaft Diameter	0.875 in
Shaft Extension	2.25 in	Assembly/Box Mounting	F1 ONLY
Connection Drawing	005010.01	Outline Drawing	607-0003-775



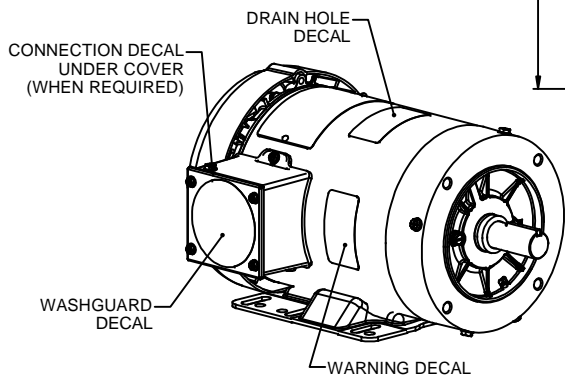
(1) 1/2-14 NPT CONDUIT HOLE (PLUGGED)



WASHGUARD MOTOR

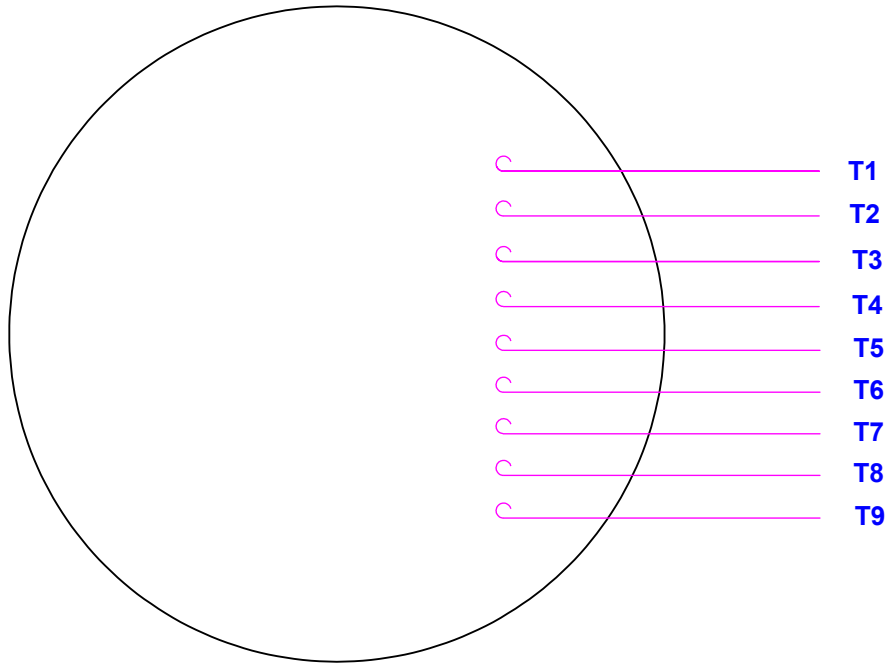
- SPECIAL FEATURES:
1. SHAFT SEALS & V-RING.
 2. PLUGGED DRAIN HOLES IN ENDBELLS & CONDUIT BOX.
 3. BUNA-N GASKETS THROUGHOUT.
 4. STAINLESS STEEL SHAFT, HARDWARE & NAMEPLATE.

DASH NO.	"C"	"AD"
700	12.93	4.19
750	13.43	4.69
775	13.68	4.94
800	13.93	5.19
850	14.43	5.69

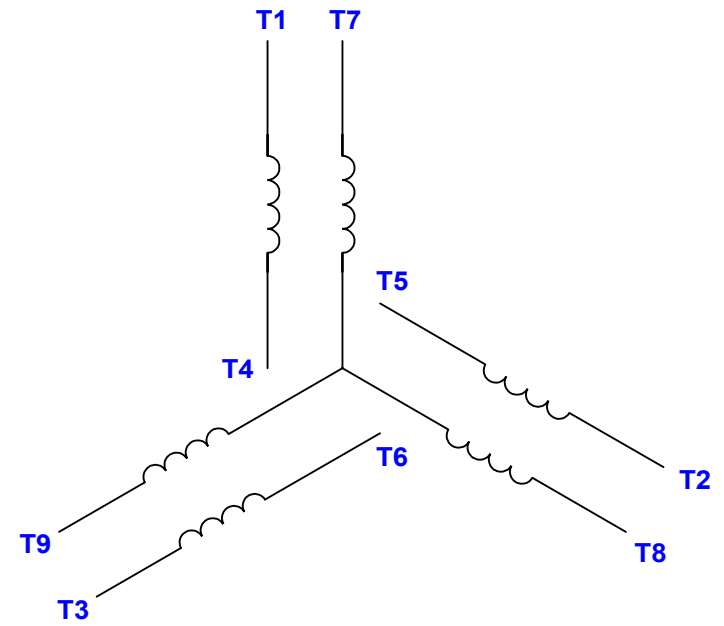


TOLERANCES UNLESS SPECIFIED		TITLE	ELECTRIC MOTORS GEARMOTORS AND DRIVES	DRAWN PG 02/01/11
DEC	INCHES			
x	±.1	OUTLINE - 140TC FRAME TEFC - RIGID "C" FACE MATL WASHGUARD	LEESON	APPR
.xx	±.03			SCALE 3:8
.xxx	±.005			REF 028811
.xxxX	±.0005			FMF 121867.00
NO	REVISION	BY & DATE	FINISH	PAGE OF
	THIRD ANGLE PROJECTION	CHK ANG ±1/2"	PREV	REV
		RFP	SIZE B	DRAWING NO 607-0003
		NETWORK FILE NAME 607-0003		REV

VIEW FROM OUTSIDE OF MOTOR AT SWITCH END.



LINE LEADS



VOLTAGE	L1	L2	L3	JOIN & INSULATE
HIGH	T1	T2	T3	(T4, T7) (T5, T8) (T6, T9)
LOW	T1, T7	T2, T8	T3, T9	T4, T5, T6

RBC PROPRIETARY AND CONFIDENTIAL INFORMATION
 This document is the property of REGAL BELOIT CORPORATION ("RBC") including its subsidiaries and divisions and contains proprietary information of RBC. This document is loaned on the express condition that neither it nor the information contained therein shall be disclosed to others without the express written consent of RBC, and that the information shall be used by the recipient only as approved expressly by RBC. This document shall be returned to RBC upon its request. This document may be subject to certain restrictions under U.S. export control laws and regulations.

				TOLERANCES UNLESS SPECIFIED		DRAWN RDW 04/12/02	
				DEC	INCHES	CHK	
				.X	±.1	APPR	
12	CHG FROM LEESON TO RRX TEMPLATE AS PER ECR-0237142	KVDG 09/19/24	DS	.XX	±.01	TITLE EXTERNAL WIRING DIAGRAM	
--	REDRAWN IN SOLIDWORKS	VJB 02/08/11		.XXX	±.005	3 PHASE W/O PROTECTOR	
11	ADD REV TO MATCH ORACLE	KJH 06/08/09	MDN	.XXX	±.0005	MAT'L DECAL - 004014	
NO	REVISION	BY & DATE	CHK	ANG	±1/2°	FINISH	
			RFP	04/12/02	PREV	SIZE	DRAWING NO
THIRD ANGLE PROJECTION			NETWORK FILE NAME 00501001			A	005010-01
						REV	12

P.O. BOX 8003
 WAUSAU, WI 54401-8003
 PH. 715-675-3311



DATA VOLTS: 460

CERTIFICATION DATA SHEET

CONN. DIAGRAM: 005010.01
 OUTLINE: 607-0003-775
 WINDING: T634342

CAT #: 121867.00

FR 3

TYPICAL MOTOR PERFORMANCE DATA

HP	KW	SYNC RPM	FL RPM	FRAME	ENCLOSURE	TYPE	KVA CODE	DESIGN
1	0.75	1800	1760	143TC	TEFC	TFR	N	B

PH	HZ	VOLTS	AMPS	START TYPE	DUTY	INSL	S.F.	AMB	ELEV.
3	60/50	08-230/460#208-230/46	3.1/1.55&3.4/1.7	ACROSS THE LINE	CONT	F	1.15	40	3300

F.L. EFF	85.5	3/4 LD EFF	85.4	1/2 LD EFF	79.6	GTD EFF	ELECT. TYPE
F.L. PF	68.5	3/4 LD PF	61.5	1/2 LD PF	51.5	0.0	SQ CAGE IND RUN

F.L. TORQUE	LR AMPS @ 460 V	L.R. TORQUE	B.D. TORQUE	F.L. RISE (°C)
3.0 LB-FT	14.0	12.0 LB-FT 400%	15.8 LB-FT 527%	38

PRESSURE @ 3	POWER	ROTOR WK ²	MAX. LOAD WK ²	SAFE STALL TIME	STARTS/HOUR	MOTOR WGT
65 dBA	74 dBA	0.12 LB-FT ²	0 LB-FT ²	10 SEC.	0	0 LB.

*** SUPPLEMENTAL INFORMATION ***

DE BRACKET TYPE	ODE BRACKET TYPE	MOUNT TYPE	MOTOR ORIENTATION	SEVERE DUTY	HAZARDOUS LOCATION	DRIP COVER	SCREENS	PAINT
C-FACE	STANDARD	RIGID	HORIZONTAL	NO	NONE	NO	NONE	HITE - LEESON (EPO

BEARINGS		GREASE	SHAFT TYPE	SPECIAL DE	SPECIAL ODE	SHAFT MATERIAL	FRAME MATERIAL
DE	ODE	POLYREX EM	T	NONE	NONE	1144 STRESSPROOF (C-223)	ROLLED STEEL
BALL	BALL						
6205	6203						

THERMOSTATS	PROTECTORS	WDG RTD's	BRG RTD's	THERMISTORS	CONTROL	SPACE HEATERS
NONE	NOT	NONE	NONE	NONE	FALSE	NA

R1 (ohms/ph)	R2 (ohms/ph)	X1 (ohms/ph)	X2 (ohms/ph)	Xm (ohms/ph)	VIBRATION (in/sec)	FLOAT
0	0	0	0	0	0.080	ODE

* N O T E S *	INVERTER TORQUE: NONE	
	INV. HP SPEED RANGE: NONE	
	ENCODER: NONE	
	NONE	
	NONE NONE PPR	

DATE: 1/23/2018	BRAKE: NONE	
	NONE NONE	
	FT-LB: NA	NONE
	VOLTAGE: NONE	HZ:
UL: Y-(LEESON UL REC)		

Data Sheet

Date: 1/23/2018

121867.00



Data @ 460 V

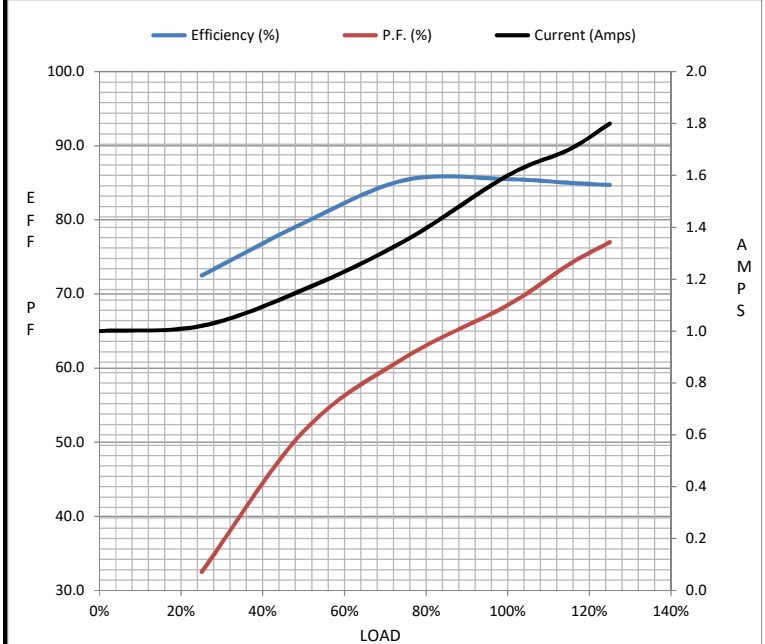
Motor Load Data

Load	0%	25%	50%	75%	100%	115%	125%	LR
Current (Amps)	1.00	1.02	1.16	1.35	1.60	1.70	1.80	14.0
Torque (ft-lb)	0.00	0.75	1.50	2.25	3.0	3.5	3.8	12.0
RPM	1800	1789	1779	1769	1760	1750	1745	0
Efficiency (%)		72.5	79.6	85.4	85.5	85.0	84.7	
P.F. (%)	8.0	32.5	51.5	61.5	68.5	74.0	77.0	41.0

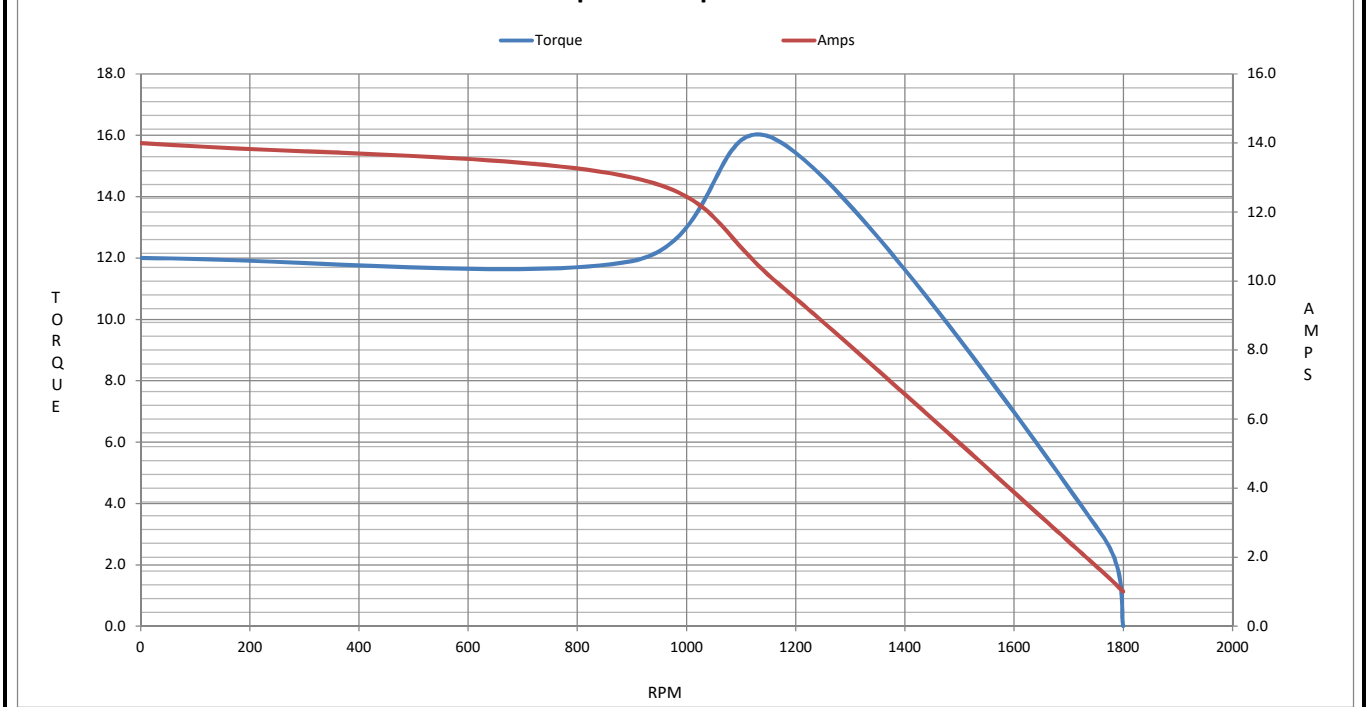
Motor Speed Data

	LR	Pull-Up	BD	Rated	Idle
Speed (RPM)	0	900	1170	1760	1800
Current (Amps)	14.0	13.0	9.9	1.60	1.00
Torque (ft-lb)	12.0	11.9	15.8	3.0	0.00

Information Block				
HP	1.0			
Sync. RPM	1800			
Frame	140			
Enclosure	TEFC			
Construction	TFR			
Voltage	208-230/460#208-230/460 V			
Frequency	60 Hz			
Design	B			
LR Code letter	N			
Service Factor	1.15			
Temp Rise @ FL	38 °C			
Duty	CONT			
Ambient	40 °C			
Elevation	1,000 feet			
Rotor/Shaft wk ²	0.12 Lb-Ft ²			
Ref Wdg	T634342 FR			
Sound Pressure @ 1M	65 dBA			
VFD Rating	NONE			
Outline Dwg	607-0003-775			
Conn. Diag	005010.01			
Additional Specifications:				
0				
0				
EQUIV CKT (OHMS / PHASE)				
R1	R2	X1	X2	Xm
0.0000	0.0000	0.0000	0.0000	0.0000



Speed - Torque Curve



EC Declaration of Conformity

The undersigned representing
the manufacturer:

Regal Beloit America
1946 West Cook Road
Fort Wayne, IN 46818

and the authorized representative
established within the Community:

Regal Beloit Italy
Via Modena, 18
24040 Ciserano(BG) - Italy

are committed to providing customers with products that comply with applicable regulations and international protocols to which they are subject, including the requirements of the European Parliament Directive on the Harmonization of the laws relating to electrical equipment designed for use within certain voltage limits (2014/35/EU).

Regal Beloit America declares that the following product(s), to which this declaration relates, are in conformity with the relevant sections of the EC standards listed below.

This statement supersedes any statements previously issued pertaining to the product(s) listed below and is subject to change without notice.

Model No : 121867.00

(Model No. may contain prefix and/or suffix characters)

Catalog No : 121867.00

Rework No : N/A

Directives :

Low Voltage Directive 2014/35/EU

Harmonized Standards Used :

EN 60034-1: 2010 (IEC 60034-1: 2010)

EN 60034-5: 2001/A1:2007 (IEC 60034-5: 2000/A1:2006)

Authorized Representative:



Zach Stauffer
Vice President, Engineering

Authorized Representative in the Community:



Stefano Casiraghi
Technology Director, Engineering

Created on 07/08/2025

CE 25