

PRODUCT INFORMATION PACKET



Model No: 121066.00

Catalog No: 121066.00

General Purpose Motor, 1.50 & 1.50 HP, 3 Ph, 60 & 50 Hz, 230/460 & 190/380 V, 1800 & 1500 RPM,
145TC Frame, TEFC

Operational at 208-230/460 V @60HZ



Regal and LEESON are trademarks of Regal Rexnord Corporation or one of its affiliated companies.

©2025 Regal Rexnord Corporation, All Rights Reserved. MC017097E



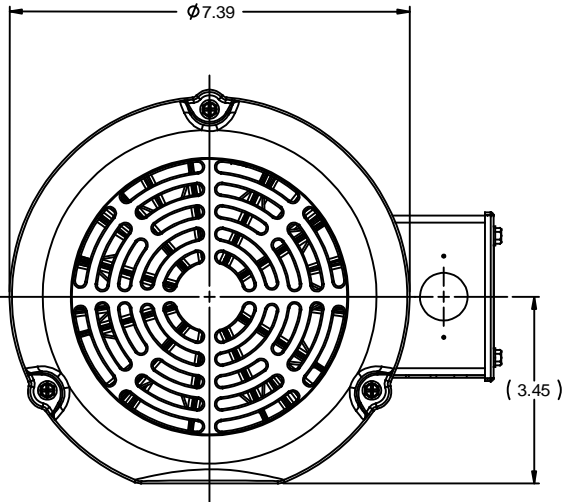
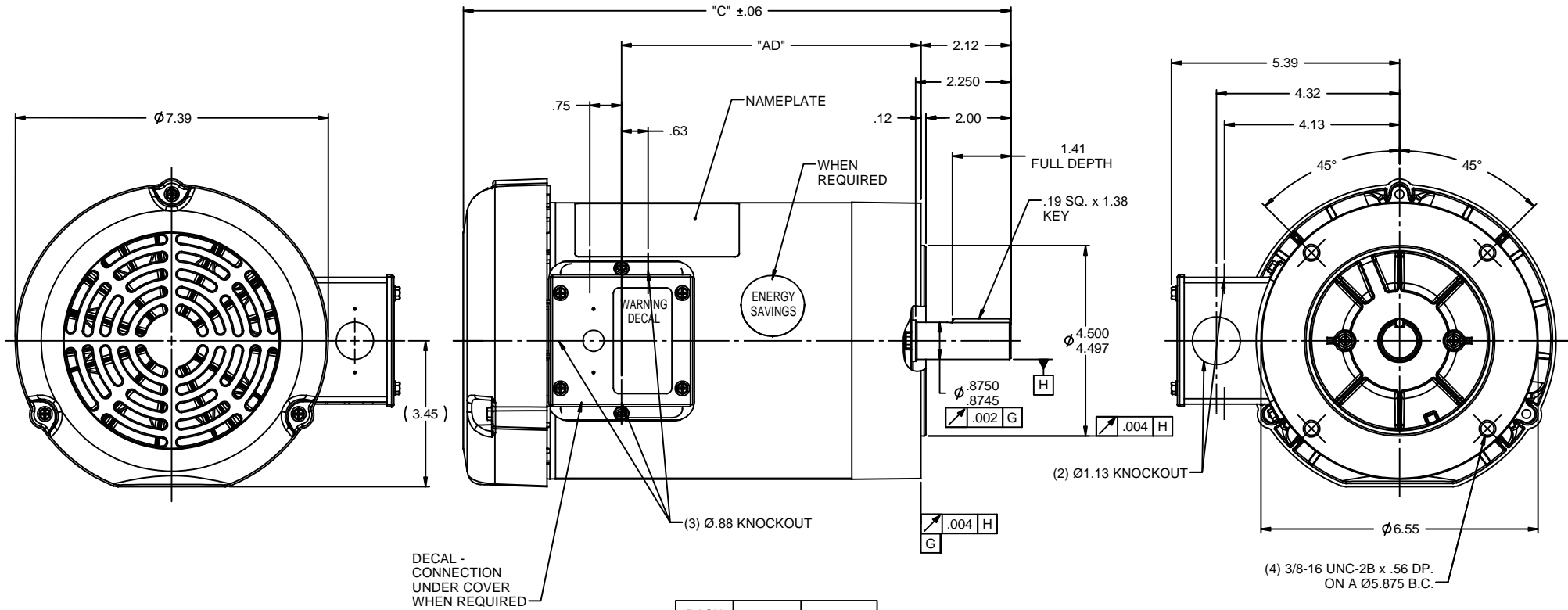


Nameplate Specifications

Phase	3	Output HP	1.50 & 1.50 Hp
Output KW	1.1 & 1.1 kW	Voltage	230/460 & 190/380 V
Speed	1750 & 1450 rpm	Service Factor	1.15 & 1.15
Frame	145TC	Enclosure	Totally Enclosed Fan Cooled
Thermal Protection	Thermostat	Efficiency	86.5 & 86.5 %
Ambient Temperature	40 °C	Frequency	60 & 50 Hz
Current	4.8/2.4 & 5.6/2.8 A	Power Factor	67.7
Duty	Continuous	Insulation Class	F
Design Code	B	KVA Code	L
Drive End Bearing Size	6205	Opp Drive End Bearing Size	6203
UL	Recognized	CSA	Y
CE	Y	IP Code	54
Number of Speeds	1		

Technical Specifications

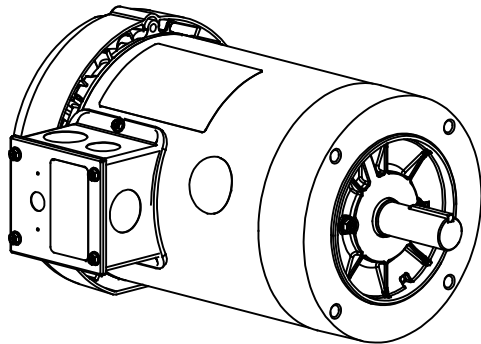
Electrical Type	Squirrel Cage Induction Run	Starting Method	Across The Line
Poles	4	Rotation	Reversible
Resistance Main	9.12 Ohms	Mounting	Round
Motor Orientation	Horizontal	Drive End Bearing	Ball
Opp Drive End Bearing	Ball	Frame Material	Rolled Steel
Shaft Type	T	Overall Length	13.42 in
Frame Length	7.50 in	Shaft Diameter	0.875 in
Shaft Extension	2.25 in	Assembly/Box Mounting	F1 ONLY
Connection Drawing	005010.20	Outline Drawing	028777-750



DECAL - CONNECTION UNDER COVER WHEN REQUIRED

DASH NO.	"C"	"AD"
550	11.42	5.56
600	11.92	6.06
650	12.42	6.56
675	12.67	6.81
700	12.92	7.06
750	13.42	7.56
800	13.92	8.06

NOTE:
1) GASKETS THROUGHOUT



REVISION			BY & DATE	CHK	ANG	±1/2"	FINISH	GENERAL PURPOSE	SIZE	DRAWING NO	REV
05	ADDED FAN GUARD DIMENSIONS PER SALES	PG	1/5/2011	DEC					B	028777	05
04	ADDED DASH NO. 675	PG	5/21/2010	X							
03	ADDED ENERGY SAVINGS DECAL	PG	5/19/2010	.XX							
02	ADD "C" DIM. PER ISAAC 09-4157	LST	10/1/2009	.XXX							
01	REVISED GD&T POSITIONING & CALLOUT	KMM	8/27/07	.XXX							



ELECTRIC MOTORS
GEARMOTORS
AND DRIVES

DRAWN KMM 08/02/07

CHK

APPR

SCALE 7:16

REF 028504.00

FMF 120038.00

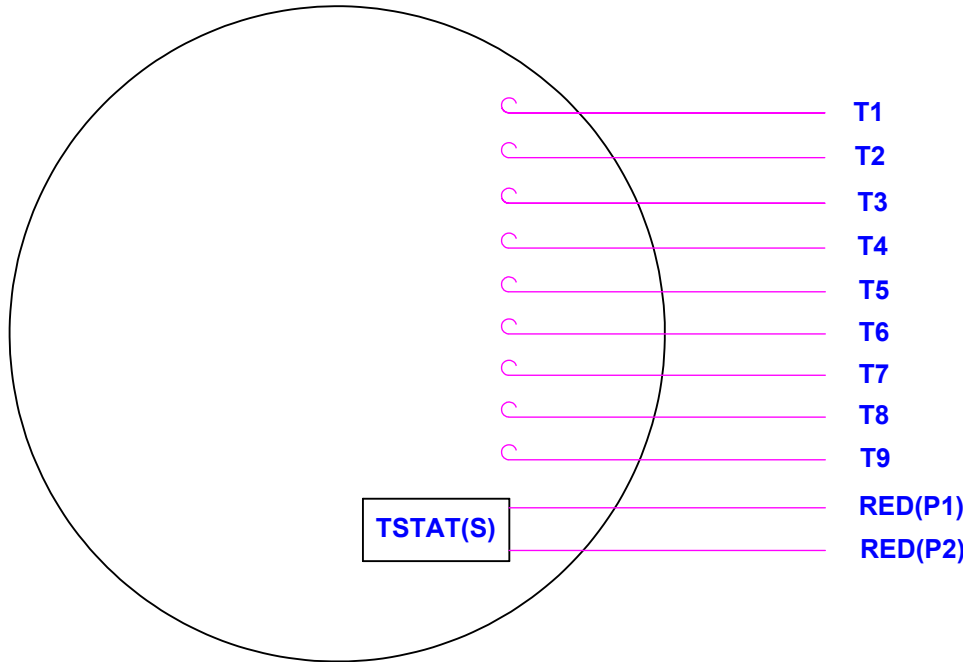
PAGE OF



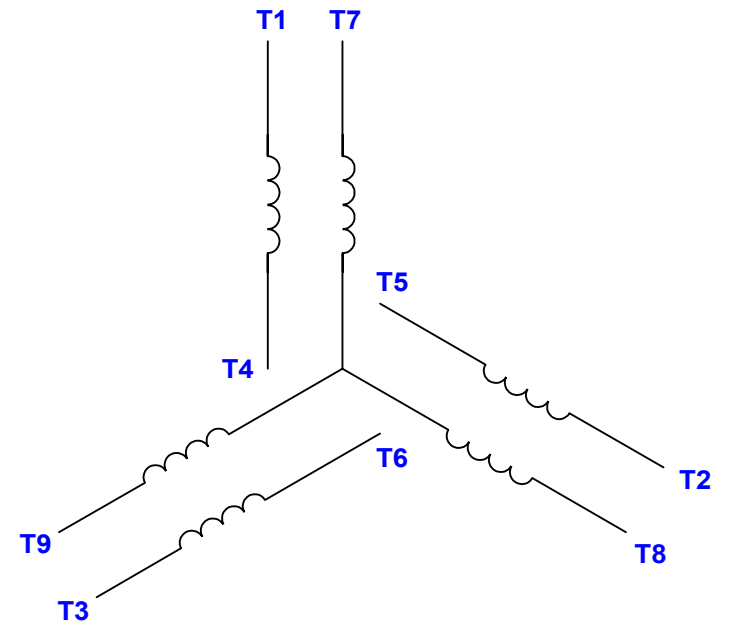
NETWORK FILE NAME 028777

REV 05

VIEW FROM OUTSIDE OF MOTOR AT SWITCH END.



LINE LEADS



VOLTAGE	L1	L2	L3	JOIN & INSULATE
HIGH	T1	T2	T3	(T4,T7) (T5,T8) (T6,T9)
LOW	T1,T7	T2,T8	T3,T9	T4,T5,T6

DRAWING REVISION H REVISION BY KVDG DATE 09/18/2024

ECO ECR-0237142 APPROVED BY DS DATE 09/19/2024

ECO DESCRIPTION ADDED P1 & P2 FOR TSTAT

TOLERANCES UNLESS OTHERWISE SPECIFIED:

DEC.	INCH	mm	ANGLE
.X	±0.1	[±2.5]	±0.5°
.XX	±0.01	[±0.25]	
.XXX	±0.005	[±0.127]	
.XXXX	±0.0005	[±0.0127]	

REMOVE BURRS & BREAK SHARP EDGES: .003/.015 [.076/.381] X 45°
CORNER FILLETS: R.02 [.51]
MACHINED SURFACES: 125/3.2 INCH/mm
mm SHOWN IN [BRACKETS]

DRAWN BY DBT 12/16/97

DATE

APPROVED BY KH 12/17/97

DATE

REFERENCE

THIRD ANGLE PROJECTION

Regal Rexnord Regal Beloit America, Inc.

DESCRIPTION
CONN DIAGRAM-EXTERNAL
3 PHASE WITH PROTECTOR

MATERIAL DECAL - 004014 (TSTAT) - 080582 PROCESS/FINISH STOCK

SIZE A DRAWING NUMBER 00501020 SHEET 1 OF 1

P.O. BOX 8003
 WAUSAU, WI 54401-8003
 PH. 715-675-3311



DATA VOLTS: 460

CERTIFICATION DATA SHEET

CONN. DIAGRAM: 005010.20
 OUTLINE: 028777-750
 WINDING: T634341

CAT #: 121066.00

FR 3

TYPICAL MOTOR PERFORMANCE DATA

HP	KW	SYNC RPM	FL RPM	FRAME	ENCLOSURE	TYPE	KVA CODE	DESIGN
1.5	1.1	1800	1750	145TC	TEFC	TFR	L	B

PH	HZ	VOLTS	AMPS	START TYPE	DUTY	INSL	S.F.	AMB	ELEV.
3	60/50	230/460#208-230/460	4.3/2.15&5.56-5.6/2.8	ACROSS THE LINE	CONT	F	1.15	40	3300

F.L. EFF	86.5	3/4 LD EFF	87.2	1/2 LD EFF	84.0	GTD EFF	ELECT. TYPE
F.L. PF	67.7	3/4 LD PF	63.0	1/2 LD PF	55.0	0.0	SQ CAGE IND RUN

F.L. TORQUE	LR AMPS @ 460 V	L.R. TORQUE	B.D. TORQUE	F.L. RISE (°C)
4.5 LB-FT	18.5	17.2 LB-FT 382%	20.4 LB-FT 453%	45

PRESSURE @ 3	POWER	ROTOR WK²	MAX. LOAD WK²	SAFE STALL TIME	STARTS/HOUR	MOTOR WGT
65 dBA	74 dBA	0.14 LB-FT²	0.1 LB-FT²	10 SEC.	3	0 LB.

*** SUPPLEMENTAL INFORMATION ***

DE BRACKET TYPE	ODE BRACKET TYPE	MOUNT TYPE	MOTOR ORIENTATION	SEVERE DUTY	HAZARDOUS LOCATION	DRIP COVER	SCREENS	PAINT
C-FACE	STANDARD	ROUND	HORIZONTAL	NO	NONE	NO	NONE	IN - LEESON WATTS

BEARINGS		GREASE	SHAFT TYPE	SPECIAL DE	SPECIAL ODE	SHAFT MATERIAL	FRAME MATERIAL
DE	ODE	POLYREX EM	T	NONE	NONE	1144 STRESSPROOF (C-223)	ROLLED STEEL
BALL	BALL						
6205	6203						

THERMOSTATS	PROTECTORS	WDG RTD's	BRG RTD's	THERMISTORS	CONTROL	SPACE HEATERS
TSTATS (N/C)	AUTOMATIC	NONE	NONE	NONE	FALSE	NA

R1 (ohms/ph)	R2 (ohms/ph)	X1 (ohms/ph)	X2 (ohms/ph)	Xm (ohms/ph)	VIBRATION (in/sec)	FLOAT
0	0	0	0	0	0.150	ODE

* N O T E S *	INVERTER TORQUE: NONE INV. HP SPEED RANGE: NONE					
	ENCODER: NONE NONE NONE					
	NONE PPR					

DATE: 1/19/2018	BRAKE: NONE NONE NONE					
	FT-LB: NA VOLTAGE: NONE HZ:					
	UL: Y-(LEESON UL REC)					

Data Sheet

Date: 1/19/2018

121066.00



Data @ **460 V**

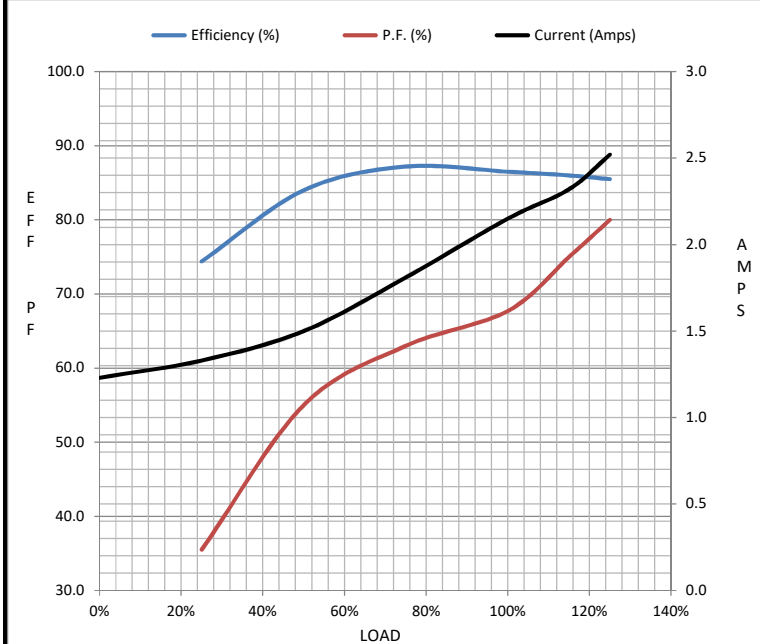
Motor Load Data

Load	0%	25%	50%	75%	100%	115%	125%	LR
Current (Amps)	1.23	1.33	1.50	1.81	2.15	2.32	2.52	18.5
Torque (ft-lb)	0.00	1.10	2.25	3.4	4.5	5.2	5.6	17.2
RPM	1800	1785	1772	1760	1750	1.738	1732	0
Efficiency (%)		74.4	84.0	87.2	86.5	86.0	85.5	
P.F. (%)	9.9	35.5	55.0	63.0	67.7	75.0	80.0	48.0

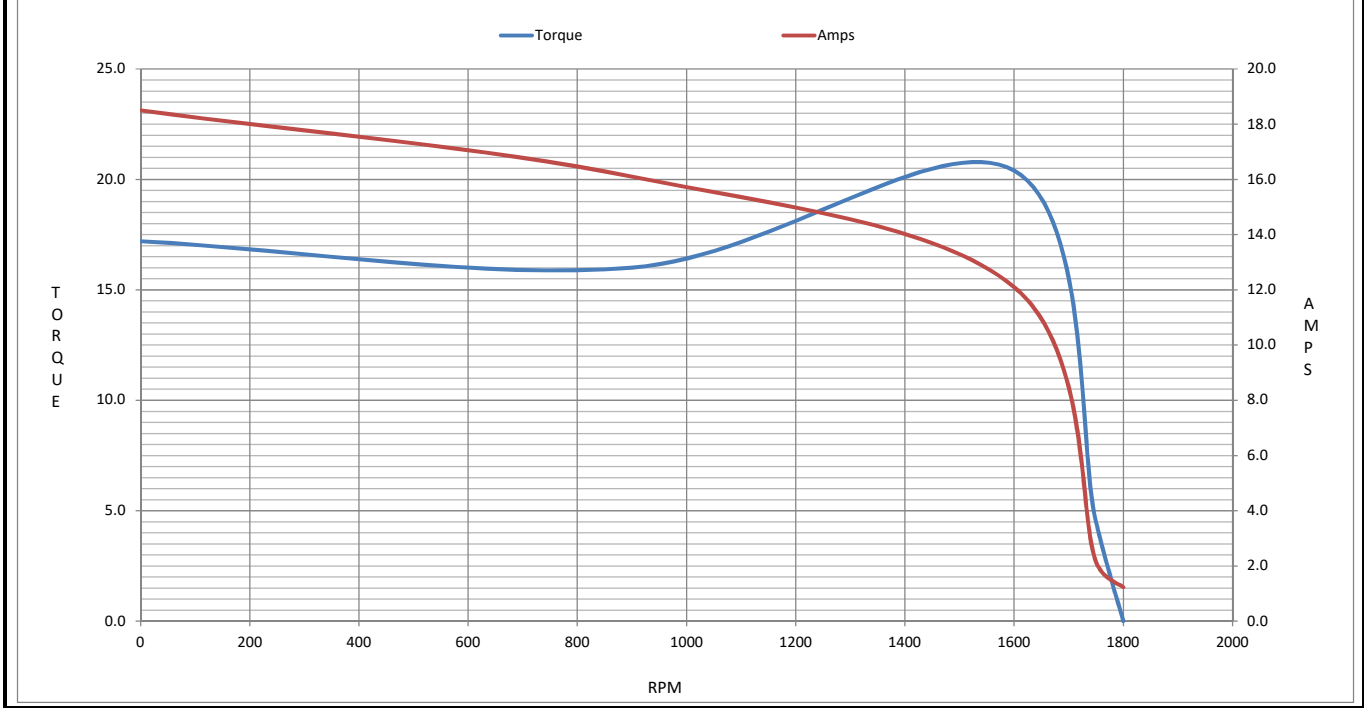
Motor Speed Data

	LR	Pull-Up	BD	Rated	Idle
Speed (RPM)	0	900	1600	1750	1800
Current (Amps)	18.5	16.1	12.1	2.15	1.23
Torque (ft-lb)	17.2	16.0	20.4	4.5	0.00

Information Block				
HP	1.5			
Sync. RPM	1800			
Frame	140			
Enclosure	TEFC			
Construction	TFR			
Voltage	230/460#208-230/460 V			
Frequency	60 Hz			
Design	B			
LR Code letter	L			
Service Factor	1.15			
Temp Rise @ FL	45 °C			
Duty	CONT			
Ambient	40 °C			
Elevation	1,000 feet			
Rotor/Shaft wk ²	0.14 Lb-Ft ²			
Ref Wdg	T634341 FR			
Sound Pressure @ 1M	65 dBA			
VFD Rating	NONE			
Outline Dwg	028777-750			
Conn. Diag	005010.20			
Additional Specifications:				
0				
0				
EQUIV CKT (OHMS / PHASE)				
R1	R2	X1	X2	Xm
0.0000	0.0000	0.0000	0.0000	0.0000



Speed - Torque Curve



EC Declaration of Conformity

The undersigned representing
the manufacturer:

Regal Beloit America
1946 West Cook Road
Fort Wayne, IN 46818

and the authorized representative
established within the Community:

Regal Beloit Italy
Via Modena, 18
24040 Ciserano(BG) - Italy

are committed to providing customers with products that comply with applicable regulations and international protocols to which they are subject, including the requirements of the European Parliament Directive on the Harmonization of the laws relating to electrical equipment designed for use within certain voltage limits (2014/35/EU).

Regal Beloit America declares that the following product(s), to which this declaration relates, are in conformity with the relevant sections of the EC standards listed below.

This statement supersedes any statements previously issued pertaining to the product(s) listed below and is subject to change without notice.

Model No : 121066.00

(Model No. may contain prefix and/or suffix characters)

Catalog No : 121066.00

Rework No : N/A

Directives :

Low Voltage Directive 2014/35/EU

Harmonized Standards Used :

EN 60034-1: 2010 (IEC 60034-1: 2010)

EN 60034-5: 2001/A1:2007 (IEC 60034-5: 2000/A1:2006)

Authorized Representative:



Zach Stauffer
Vice President, Engineering

Authorized Representative in the Community:



Stefano Casiraghi
Technology Director, Engineering

Created on 07/08/2025

CE 25