

PRODUCT INFORMATION PACKET



Model No: 116704.00
Catalog No: 116704.00
Pressure Washer Motor, 2 HP, 1 Ph, 60 Hz, 115/230 V, 1800 RPM, 56H Frame, DP

Operational at 115/208-230 V @60HZ



Regal and Leeson are trademarks of Regal Rexnord Corporation or one of its affiliated companies.
©2023 Regal Rexnord Corporation, All Rights Reserved. MC017097E





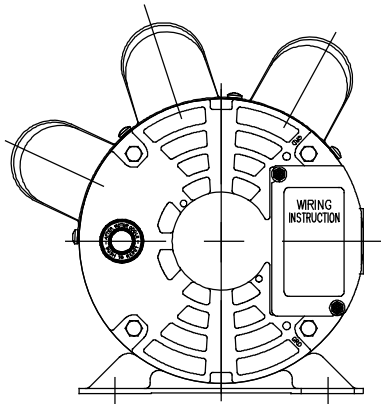
Nameplate Specifications

Phase	1	Output HP	2 Hp
Output KW	1.5 kW	Voltage	115/230 V
Speed	1740 rpm	Service Factor	1.15
Frame	56H	Enclosure	Drip Proof
Thermal Protection	Manual	Efficiency	79 %
Ambient Temperature	40 °C	Frequency	60 Hz
Current	17.2/8.6 A	Power Factor	95
Duty	Continuous	Insulation Class	F
Design Code	L	KVA Code	H
Drive End Bearing Size	6205	Opp Drive End Bearing Size	6203
UL	Recognized	CSA	Y
CE	N	IP Code	22
Number of Speeds	1		

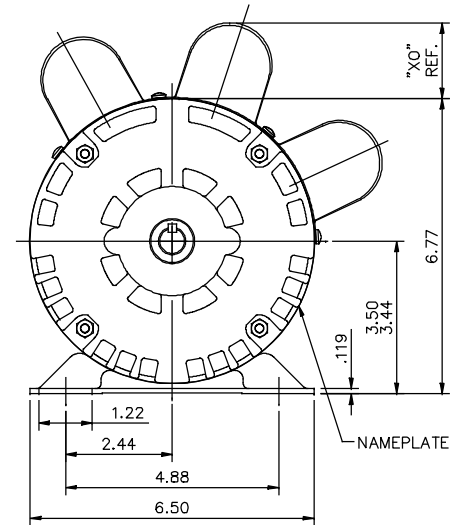
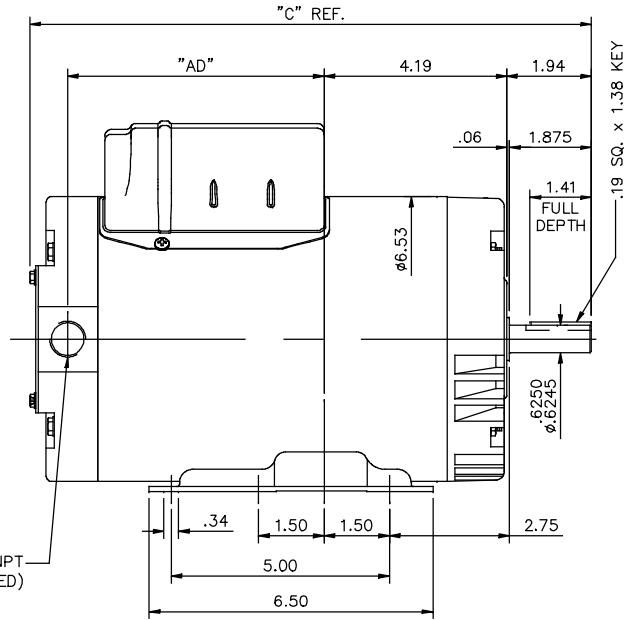
Technical Specifications

Electrical Type	Capacitor Start Capacitor Run	Starting Method	Across The Line
Poles	4	Rotation	Selective Counterclockwise
Resistance Main	1.12 Ohms	Mounting	Rigid Base
Motor Orientation	Horizontal	Drive End Bearing	Ball
Opp Drive End Bearing	Ball	Frame Material	Rolled Steel
Shaft Type	NEMA 56	Overall Length	12.68 in
Frame Length	8.00 in	Shaft Diameter	0.625 in
Shaft Extension	1.88 in	Assembly/Box Mounting	F1 ONLY
Connection Drawing	005053.11	Outline Drawing	028737-800B

028737



(1) 1/2-14 NPT
(PLUGGED)

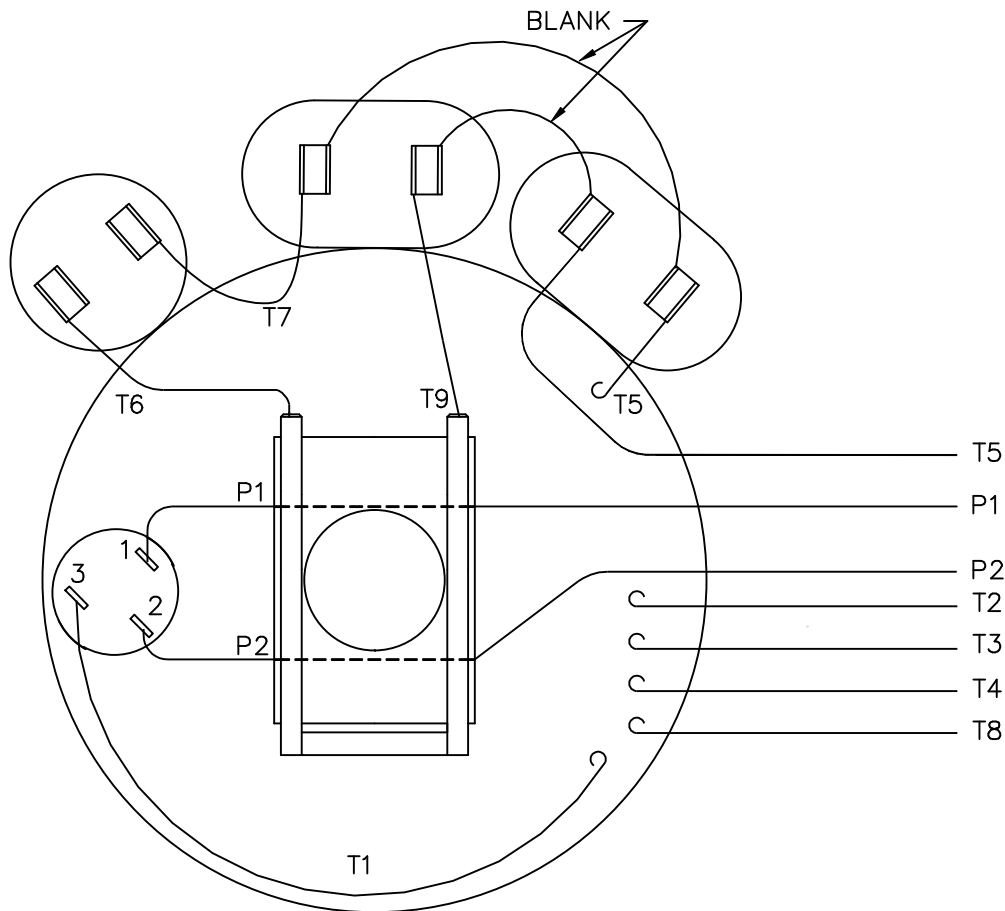


DASH NO.	"C"	"AD"	CAP. DASH	"XO"
700	11.68	4.87	A	1.25
750	12.18	5.37	A	1.25
800	12.68	5.87	B	1.75
850	13.18	6.37	C	2.00

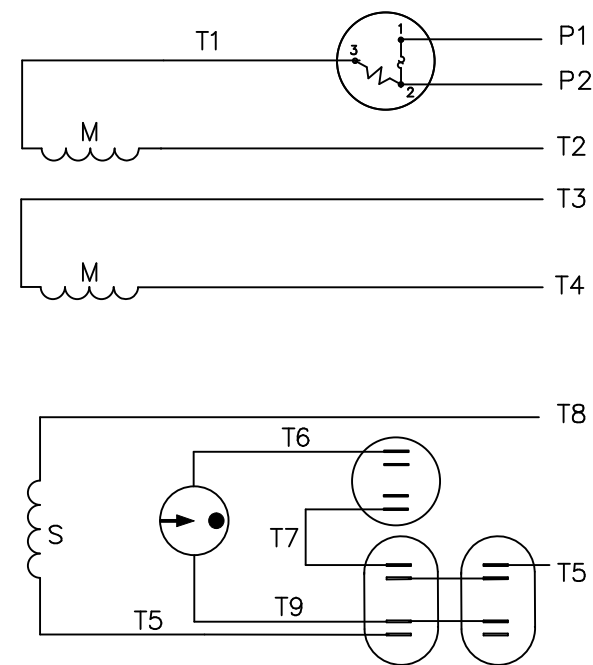
ORACLE REV.
002

		TOLERANCES UNLESS SPECIFIED		REGAL™ Regal Beloit America, Inc.		DRAWN LST 10/27/05		
		DEC.	INCHES			CHK	RW 10/28/05	
		X	±.1			APPD	KH 10/28/05	
		.XX	±.03	TITLE		SCALE	3=8	
02	NAMEPLATE WAS METAL	AS	08/29/17	AS	.XXX ±.005	REF	034030	
01	REMOVED SHAFT HOLE IN LE ENDBELL	ARV	1/6/06	.XXXX	±.0005	FINISH	FMF	
NO. REVISION		BY & DATE		CHK	ANG ±1/2"	PREV		
THIS DRAWING IN DESIGN AND DETAIL IS OUR PROPERTY AND MUST NOT BE USED EXCEPT IN CONNECTION WITH OUR WORK. ALL RIGHTS OF DESIGN AND INVENTION ARE RESERVED. THIS IS AN ELECTRONICALLY GENERATED DOCUMENT - DO NOT SCALE THIS PRINT				RFP	CAD FILE	028737	SIZE	DRAWING NO.
				DIST			B	028737
								REV.
								02

VIEW FROM OUTSIDE OF MOTOR AT SWITCH END.



LINE LEADS



	ROTATION FACING LEAD END	L1	L2	JOIN	INSULATE SEPARATELY
HIGH VOLT	C.C.W.	P1	T4 T5	T2,T3 T8	P2
	C.W.	P1	T4 T8	T2,T3 T5	P2
LOW VOLT	C.C.W.	P1	T2,T4 T5	P2,T3 T8	----
	C.W.	P1	T2,T4 T8	P2,T3 T5	----

				TOLERANCES UNLESS OTHERWISE SPECIFIED		LEESON ELECTRIC CORPORATION							
				DECIMALS									
				.00	± .01	DRAWN	TEM	TITLE					
02	REMOVED P2 FROM WDG	DWF	RDW	09/24/99	.000	± .005	CH'K'D.	EXT. WIRING DIAGRAMS					
01	REDRAWN ON CAD, PROT. WAS IN SIDE BOX		DBT	08/13/97	.0000	± .0005	APPR. 04/20/88	TYPE "K" W/PROTECTOR					
NO.	REVISION		BY	DATE	FRACTIONS	± 1/64	SCALE	1=1	MAT'L.	DECAL - 004011	BRF		
THIS DRAWING IN DESIGN AND DETAIL IS OUR PROPERTY AND MUST NOT BE USED EXCEPT IN CONNECTION WITH OUR WORK ALL RIGHTS OF DESIGN AND INVENTION ARE RESERVED					ANGLES	± 1/2"	REF.	PG.11	FINISH	QUINTON		SIZE	DRAWING NO.
					INCH/MM		FMF	W-K63466-4		A		005053-11	



CERTIFICATION DATA SHEET

**1051 CHEYENNE AVE.
GRAFTON, WI 53024
PH. 262-377-8810**

CONN. DIAGRAM: 005053.11

CATALOG #: 116704.00

OUTLINE: 028737-800B

MOUNTING: F1 ONLY

WINDING #: K634310 DR 3 B

TYPICAL MOTOR PERFORMANCE DATA

HP	kW	SYNC. RPM	F.L. RPM	FRAME	ENCLOSURE	KVA CODE	DESIGN
2	1.50	1800	1740	56H	DP	H	L

PH	Hz	VOLTS	AMPS	START TYPE	DUTY	INSL	S.F.	AMB°C
1	60	115/208-230	17.2/9.2-8.6	ACROSS THE LINE	CONTINUOUS	F4	1.15	40

FULL LOAD EFF:	79	3/4 LOAD EFF:	75.4	1/2 LOAD EFF:	67.6	GTD. EFF		ELEC. TYPE	
FULL LOAD PF:	95	3/4 LOAD PF:	89.9	1/2 LOAD PF:	84.1	75.5	CAP START CAP RUN		

F.L. TORQUE	LOCKED ROTOR AMPS	L.R. TORQUE	B,D. TORQUE	F.L. RISE°C
6 LB-FT	133 / 66.5	14.8 LB-FT 247 %	17 LB-FT 284 %	60

SOUND PRESSURE @ 3 FT.	SOUND POWER	ROTOR WK^2	MAX. WK^2	SAFE STALL TIME	STARTS / HOUR	APPROX. MOTOR WGT
0 dBA	10 dBA	0 LB-FT^2	0 LB-FT^2	10 SEC.	0	45 LBS.

***** SUPPLEMENTAL INFORMATION *****

DE BRACKET TYPE	ODE BRACKET TYPE	MOUNT TYPE	ORIENTATION	SEVERE DUTY	HAZARDOUS LOCATION	DRIP COVER	SCREENS	PAINT
STANDARD	STANDARD	RIGID	HORIZONTAL	FALSE	NONE	FALSE	NONE	BLUE - LEESON (ENAMEL)

BEARINGS		GREASE	SHAFT TYPE	SPECIAL DE	SPECIAL ODE	SHAFT MATERIAL	FRAME MATERIAL
DE	ODE						
BALL	BALL	POLYREX EM	STANDARD 56	NONE	NONE	1144 STRESSPROOF (C-223)	ROLLED STEEL
6205	6203						

THERMO-PROTECTORS				THERMISTORS	CONTROL	SPACE HEATERS
THERMOSTATS	PROTECTORS	WDG RTDs	BRG RTDs			
NONE	MANUAL	NONE	NONE	NONE	FALSE	NONE VOLTS

*
N
O
T
E
S

INVERTER TORQUE: NONE
INV. HP SPEED RANGE: NONE
ENCODER: NONE
NONE NONE
NONE NONE PPR
BRAKE: NONE NONE
NONE P/N NONE
NONE NONE
NONE FT-LB NONE V NONE HZ

