

# PRODUCT INFORMATION PACKET



Model No: 112529.00

Catalog No: 112529.00

White Duck™ General Purpose Motor, 1 HP, 1 Ph, 60 Hz, 115/230 V, 1800 RPM, 56C Frame, TEFC

Operational at 115/208-230 V @60HZ



Regal and Leeson are trademarks of Regal Rexnord Corporation or one of its affiliated companies.

©2023 Regal Rexnord Corporation, All Rights Reserved. MC017097E



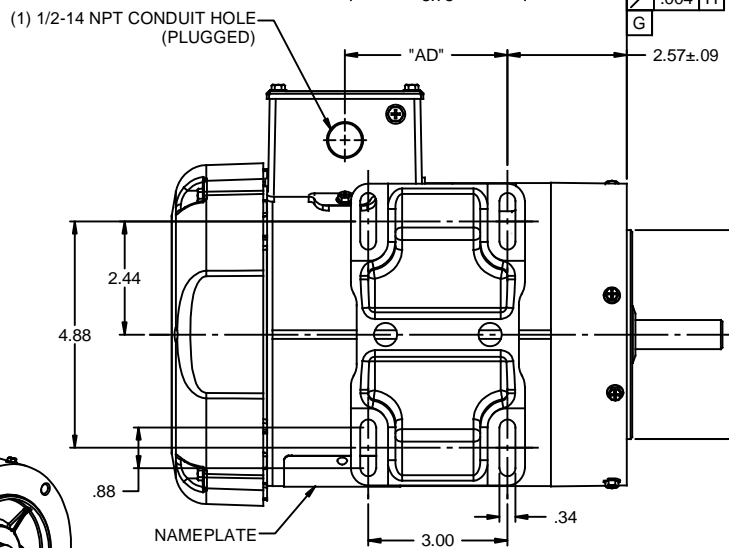
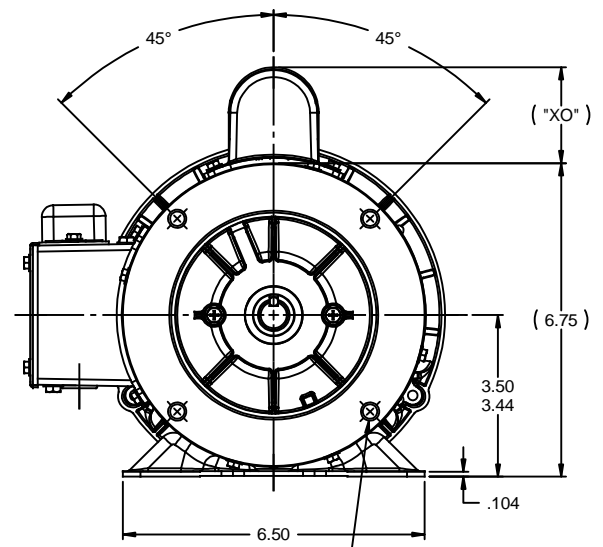
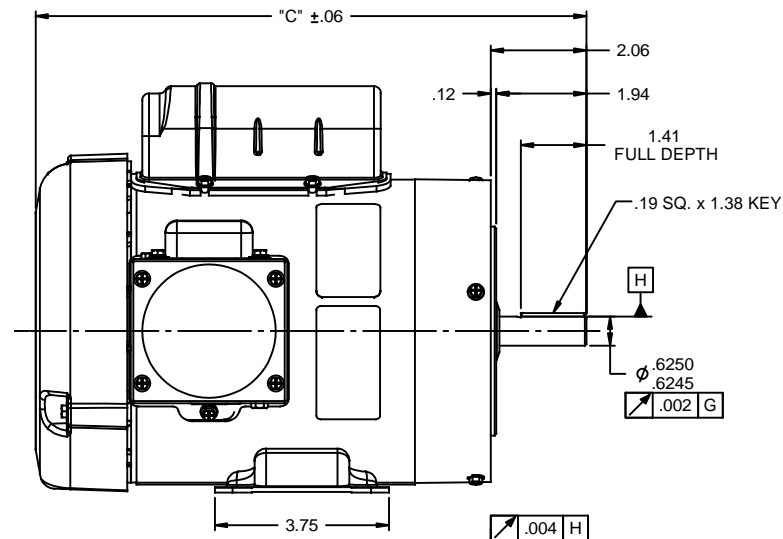
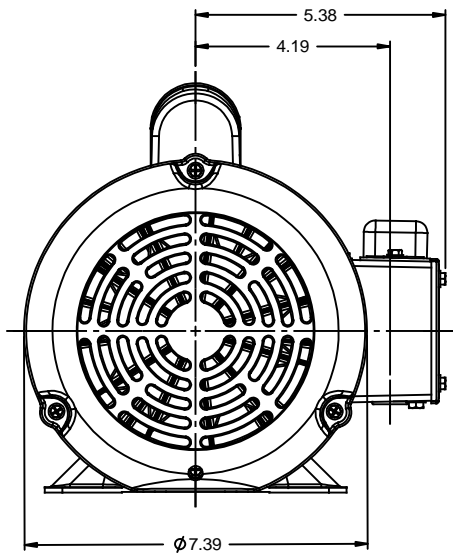


### Nameplate Specifications

Phase	1	Output HP	1 Hp
Output KW	0.75 kW	Voltage	115/230 V
Speed	1725 rpm	Service Factor	1.15
Frame	56C	Enclosure	Totally Enclosed Fan Cooled
Thermal Protection	No Protection	Efficiency	75 %
Ambient Temperature	40 °C	Frequency	60 Hz
Current	12.8/6.4 A	Power Factor	68
Duty	Continuous	Insulation Class	F
Design Code	N	KVA Code	K
Drive End Bearing Size	6205	Opp Drive End Bearing Size	6203
UL	Recognized	CSA	Y
CE	N	IP Code	55
Number of Speeds	1		

### Technical Specifications

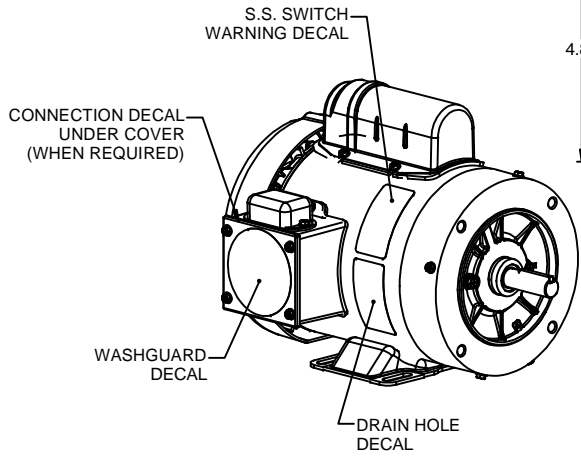
Electrical Type	Capacitor Start Induction Run	Starting Method	Across The Line
Poles	4	Rotation	Selective Counterclockwise
Resistance Main	0 Ohms	Mounting	Rigid Base
Motor Orientation	Horizontal	Drive End Bearing	Ball
Opp Drive End Bearing	Ball	Frame Material	Rolled Steel
Shaft Type	NEMA 56	Overall Length	12.12 in
Frame Length	6.25 in	Shaft Diameter	0.625 in
Shaft Extension	1.88 in	Assembly/Box Mounting	F1 ONLY
Connection Drawing	005278.07	Outline Drawing	607-0008-625A



3/8-16 UNC-2B x .56 DEEP  
(4) REQ'D. ON A Ø5.875 B.C.

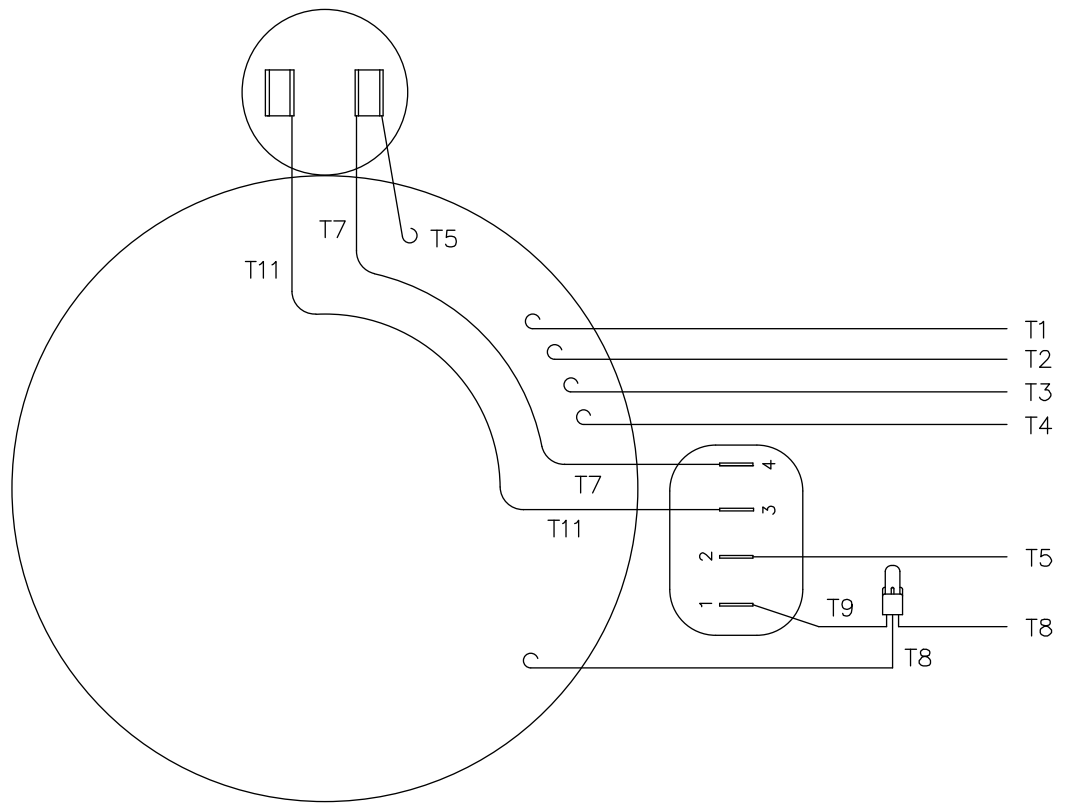
**WASHGUARD MOTOR**

- SPECIAL FEATURES:**
1. SHAFT SEALS & V-RING.
  2. PLUGGED DRAIN HOLES IN ENDBELLS & CONDUIT BOX.
  3. BUNA-N GASKETS THROUGHOUT.
  4. STAINLESS STEEL SHAFT, HARDWARE & NAMEPLATE.
  5. SOLID STATE SWITCH MOUNTED TO CONDUIT BOX.

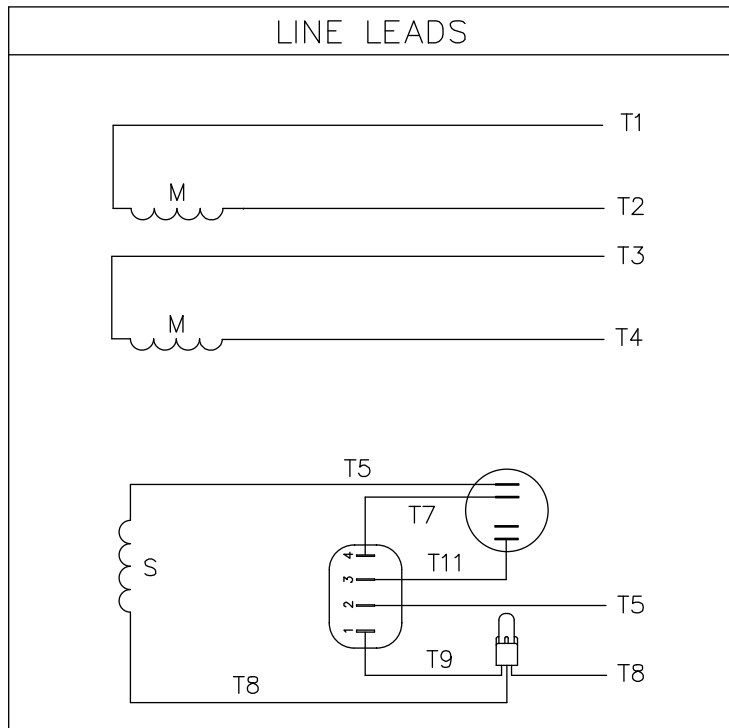


DASH NO.	"C"	"AD"	"XO"	DASH NO.	"C"	"AD"	"XO"
450A	10.37	2.00	2.00	450B	10.37	2.00	2.25
475A	10.62	2.25	2.00	475B	10.62	2.25	2.25
500A	10.87	2.50	2.00	500B	10.87	2.50	2.25
525A	11.12	2.75	2.00	525B	11.12	2.75	2.25
550A	11.37	3.00	2.00	550B	11.37	3.00	2.25
575A	11.62	3.25	2.00	575B	11.62	3.25	2.25
600A	11.87	3.50	2.00	600B	11.87	3.50	2.25
625A	12.12	3.75	2.00	625B	12.12	3.75	2.25
650A	12.37	4.00	2.00	650B	12.37	4.00	2.25

TOLERANCES UNLESS SPECIFIED		ELECTRIC MOTORS GEARMOTORS AND DRIVES		DRAWN PG 02/08/11						
DEC	INCHES			CHK						
X	±.1			APPR						
.XX	±.03			SCALE	3:8					
.XXX	±.005			REF	028881					
.XXXX	±.0005	MATL	WASHGUARD	FMF	113580.00					
NO	REVISION	BY & DATE	CHK	ANG	±1/2"	FINISH		PAGE	OF	
	THIRD ANGLE PROJECTION		RFP			PREV		SIZE	DRAWING NO	REV
			NETWORK FILE NAME	607-0008				<b>B</b>	<b>607-0008</b>	



VIEW FROM OUTSIDE OF MOTOR AT SWITCH END.



	ROTATION FACING LEAD END	L1	L2	JOIN & INSULATE
HIGH VOLT	C.C.W.	T1	T4 T5	T2, T3 T8
	C.W.	T1	T4 T8	T2, T3 T5
LOW VOLT	C.C.W.	T1, T3 T8	T2, T4 T5	
	C.W.	T1, T3 T5	T2, T4 T8	

				TOLERANCES UNLESS OTHERWISE SPECIFIED		<b>LEESON</b> ELECTRIC CORPORATION				
				DECIMALS						
				.00	± .01	DRAWN	TITLE			
				.000	± .005	CH'K'D.	EXTERNAL WIRING DIAGRAM TYPE "C" W/O PROTECTOR			
01	ADDED DECAL FOR STOCK MOTORS ECR 0042509	GWS	9/10/13	.0000	± .0005	APPR.	MAT'L. DECAL - 004012			
NO.	REVISION	BY	DATE	FRACTIONS	± 1/64	SCALE	STOCK MOTORS TO USE DECAL 214-0122-001			
THIS DRAWING IN DESIGN AND DETAIL IS OUR PROPERTY AND MUST NOT BE USED EXCEPT IN CONNECTION WITH OUR WORK ALL RIGHTS OF DESIGN AND INVENTION ARE RESERVED				ANGLES	± 1/2*	REF.	FINISH		SIZE	DRAWING NO.
				INCH/MM		FMF	STANDARD		A	005278-07



1051 CHEYENNE AVE.  
GRAFTON, WI 53024  
PH. 262-377-8810

CERTIFICATION DATA SHEET

CATALOG #: 112529.00

CONN. DIAGRAM: 005278.07

OUTLINE: 607-0008-625A

WINDING #: C634256 FR 3 G

MOUNTING: F1 ONLY

TYPICAL MOTOR PERFORMANCE DATA

HP	kW	SYNC. RPM	F.L. RPM	FRAME	ENCLOSURE	KVA CODE	DESIGN
1	0.75	1800	1725	56C	TEFC	K	N

PH	Hz	VOLTS	AMPS	START TYPE	DUTY	INSL	S.F.	AMB°C
1	60	115/208-230	12.8/6.4	ACROSS THE LINE	CONTINUOUS	F4	1.15	40

FULL LOAD EFF:	75	3/4 LOAD EFF:	72.8	1/2 LOAD EFF:	69.7	GTD. EFF	ELEC. TYPE
FULL LOAD PF:	68	3/4 LOAD PF:	58	1/2 LOAD PF:	45.6	70	CAP START IND RUN

F.L. TORQUE	LOCKED ROTOR AMPS	L.R. TORQUE	B.D. TORQUE	F.L. RISE°C
3 LB-FT	66 / 33	9 LB-FT 300 %	7 LB-FT 233 %	73

SOUND PRESSURE @ 3 FT.	SOUND POWER	ROTOR WK^2	MAX. WK^2	SAFE STALL TIME	STARTS / HOUR	APPROX. MOTOR WGT
64 dBA	74 dBA	0 LB-FT^2	0.1 LB-FT^2	10 SEC.	0	36 LBS.

\*\*\* SUPPLEMENTAL INFORMATION \*\*\*

DE BRACKET TYPE	ODE BRACKET TYPE	MOUNT TYPE	ORIENTATION	SEVERE DUTY	HAZARDOUS LOCATION	DRIP COVER	SCREENS	PAINT
C-FACE	STANDARD	RIGID	HORIZONTAL	FALSE	NONE	FALSE	NONE	WHITE - LEESON (EPOXY)

BEARINGS		GREASE	SHAFT TYPE	SPECIAL DE	SPECIAL ODE	SHAFT MATERIAL	FRAME MATERIAL
DE	ODE						
BALL	BALL	POLYREX EM	STANDARD 56	NONE	NONE	1144 STRESSPROOF (C-223)	ROLLED STEEL
6205	6203						

THERMO-PROTECTORS				THERMISTORS	CONTROL	SPACE HEATERS
THERMOSTATS	PROTECTORS	WDG RTDs	BRG RTDs			
NONE	NOT	NONE	NONE	NONE	FALSE	NONE VOLTS

* N O T E S *	<b>INVERTER TORQUE:</b> NONE <b>INV. HP SPEED RANGE:</b> NONE
	<b>ENCODER:</b> NONE NONE NONE NONE NONE PPR
	<b>BRAKE:</b> NONE NONE NONE P/N NONE NONE NONE NONE FT-LB NONE V NONE Hz



**LEESON ELECTRIC CORPORATION**  
 TYPICAL PERFORMANCE CURVE for AC MOTOR

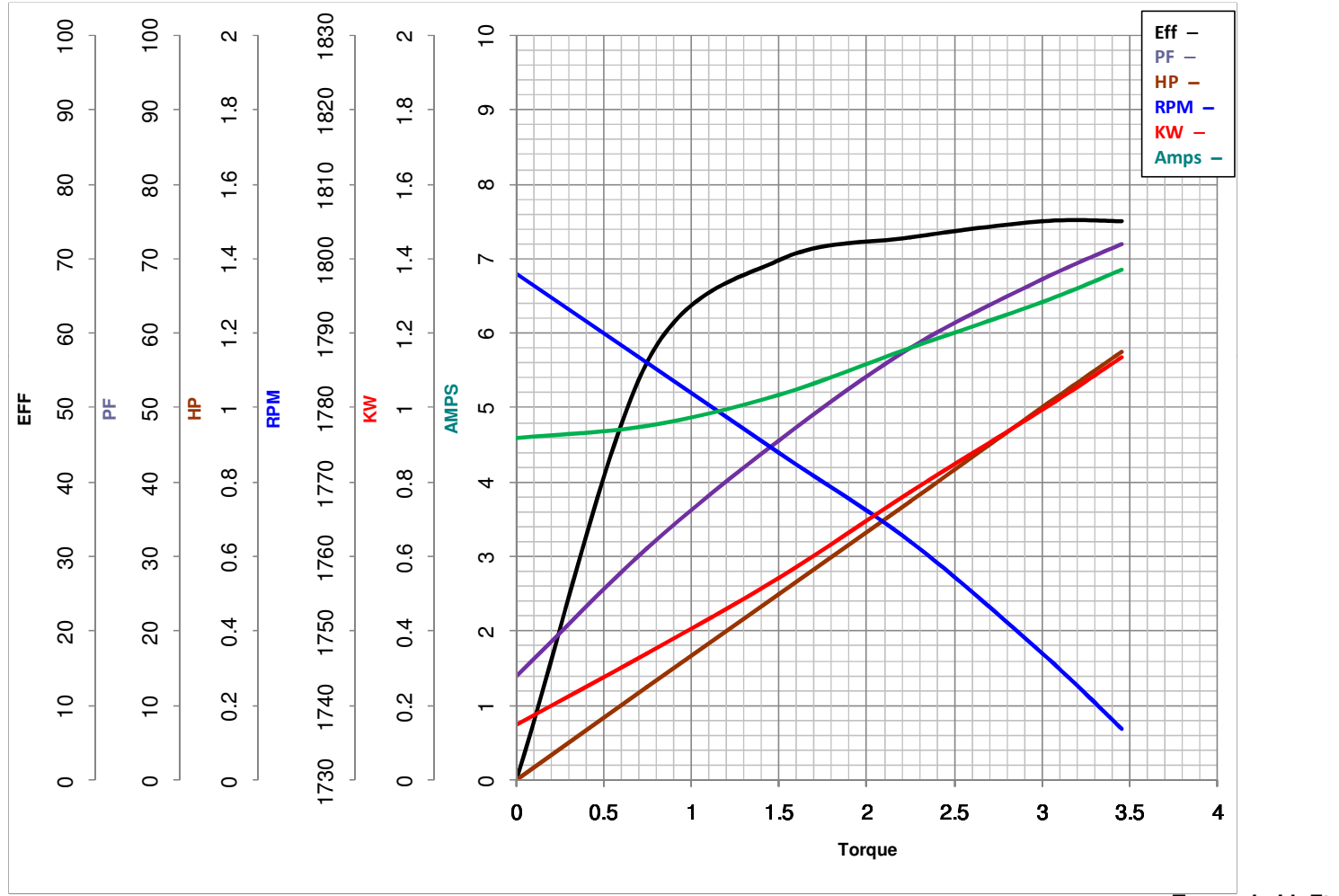
Curve at 230 Volts HP 1.00 PHASE 1  
60 HZ  
1 HP VOLTS 115/208-230

Model No 112529.00

Catalog No 112529.00

HZ 60

RPM 1725



FL TORQUE	<u>3</u>	Lb.Ft	FL AMPS	<u>12.8/6.4</u>	
BD TORQUE	<u>7.0</u>	Lb.Ft	PU TORQUE	<u>6.7</u>	Lb.Ft
LR TORQUE	<u>9</u>	Lb.Ft	LR AMPS	<u>33</u>	
WINDING	C634256-3		Date	<u>3/14/2018</u>	