

# PRODUCT INFORMATION PACKET



Model No: 111275.00  
Catalog No: 111275.00  
Air Compressor Motor, 5 HP, 1 Ph, 60 Hz, 230 V, 3600 RPM, 56Y Frame, DP



Regal and Leeson are trademarks of Regal Rexnord Corporation or one of its affiliated companies.  
©2022 Regal Rexnord Corporation, All Rights Reserved. MC017097E





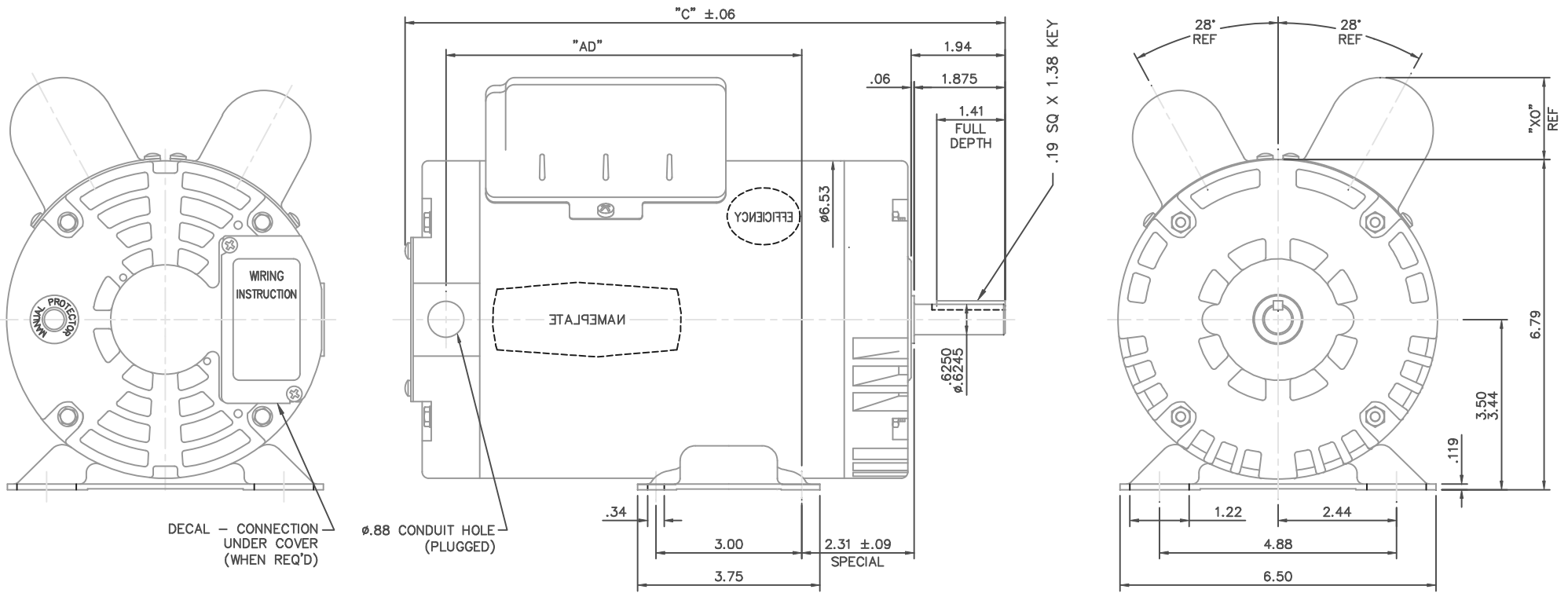
**Nameplate Specifications**

|                        |            |                            |            |
|------------------------|------------|----------------------------|------------|
| Output HP              | 5 Hp       | Output KW                  | 3.7 kW     |
| Frequency              | 60 Hz      | Voltage                    | 230 V      |
| Current                | 20.8 A     | Speed                      | 3450 rpm   |
| Service Factor         | 1          | Phase                      | 1          |
| Efficiency             | 82.5 %     | Power Factor               | 95         |
| Duty                   | Continuous | Insulation Class           | F          |
| Design Code            | L          | KVA Code                   | E          |
| Frame                  | 56Y        | Enclosure                  | Drip Proof |
| Thermal Protection     | Manual     | Ambient Temperature        | 40 °C      |
| Drive End Bearing Size | 6205       | Opp Drive End Bearing Size | 6203       |
| UL                     | Recognized | CSA                        | Y          |
| CE                     | N          | IP Code                    | 22         |
| Number of Speeds       | 1          |                            |            |

**Technical Specifications**

|                       |                               |                       |                     |
|-----------------------|-------------------------------|-----------------------|---------------------|
| Electrical Type       | Capacitor Start Capacitor Run | Starting Method       | Across The Line     |
| Poles                 | 2                             | Rotation              | Selective Clockwise |
| Resistance Main       | .52 Ohms                      | Mounting              | Rigid Base          |
| Motor Orientation     | Horizontal                    | Drive End Bearing     | Ball                |
| Opp Drive End Bearing | Ball                          | Frame Material        | Rolled Steel        |
| Shaft Type            | NEMA 56                       | Overall Length        | 13.34 in            |
| Frame Length          | 8.50 in                       | Shaft Diameter        | 0.625 in            |
| Shaft Extension       | 1.87 in                       | Assembly/Box Mounting | F1 ONLY             |
| Outline Drawing       | 028586-850C                   | Connection Drawing    | 005056.02           |

This is an uncontrolled document once printed or downloaded and is subject to change without notice. Date Created:11/28/2022

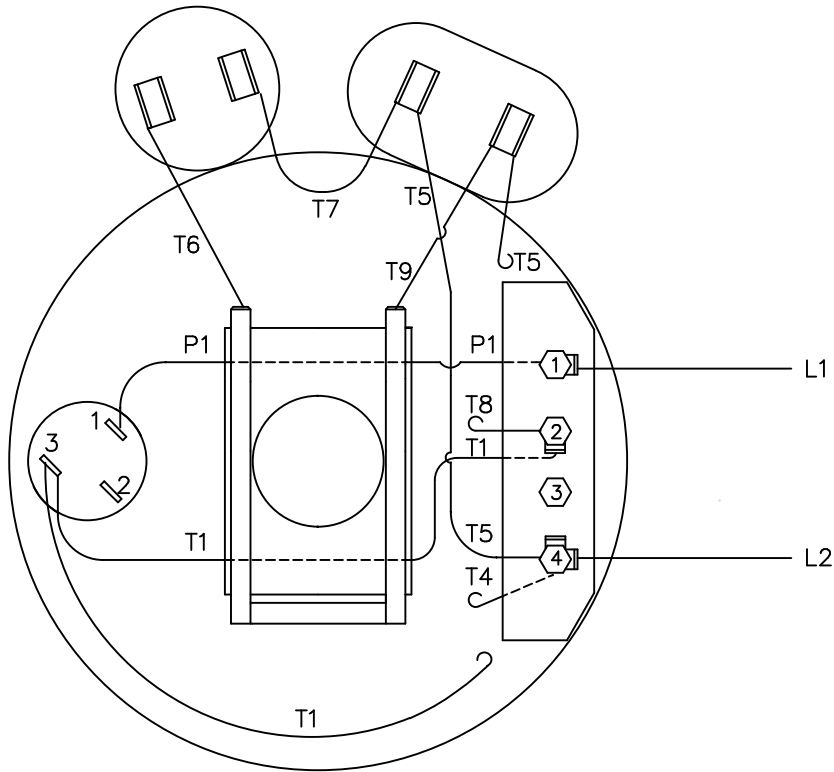


| DASH NO. | "C"   | "AD" |
|----------|-------|------|
| 650      | 11.34 | 6.32 |
| 700      | 11.84 | 6.82 |
| 750      | 12.34 | 7.32 |
| 800      | 12.84 | 7.82 |
| 850      | 13.34 | 8.32 |

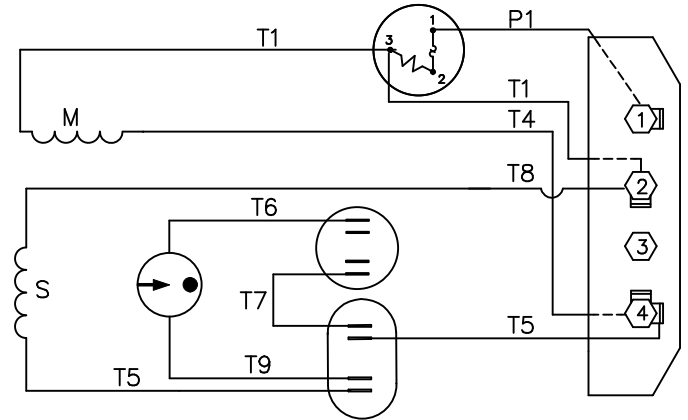
| CAP. DASH | "XO" |
|-----------|------|
| A         | 1.08 |
| B         | 1.42 |
| C         | 1.69 |

| REVISION   |  |  | NO. | BY & DATE    | CHK | ANG | ±1/2" | FINISH | TITLE                                 |  | SCALE    | REV. |
|--|--|--|-----|--------------|-----|-----|-------|--------|---------------------------------------|--|----------|------|
| ADDED "WIRING INSTRUCTION" DECAL, TO MATCH BOM   |  |  | 01  | BJB 09/13/04 |     |     |       |        | ELECTRIC MOTORS GEARMOTORS AND DRIVES |  | 1=2      | 01   |
| THIS DRAWING IN DESIGN AND DETAIL IS OUR PROPERTY AND MUST NOT BE USED EXCEPT IN CONNECTION WITH OUR WORK ALL RIGHTS OF DESIGN AND INVENTION ARE RESERVED THIS IS AN ELECTRONICALLY GENERATED DOCUMENT - DO NOT SCALE THIS PRINT |  |  |     |              |     |     |       |        | LEESON                                |  | 032798   |      |
|  |  |  |     |              |     |     |       |        | OUTLINE- 56 FRAME DRIP PROOF- RIGID   |  | 032798   |      |
|  |  |  |     |              |     |     |       |        | COMPRESSOR DUTY                       |  | 11275.00 |      |
|  |  |  |     |              |     |     |       |        | CAD FILE                              |  | 028586   |      |
|  |  |  |     |              |     |     |       |        | DRAWING NO.                           |  | 028586   |      |
|  |  |  |     |              |     |     |       |        | SIZE                                  |  | B        |      |

VIEW FROM OUTSIDE OF MOTOR AT SWITCH END.

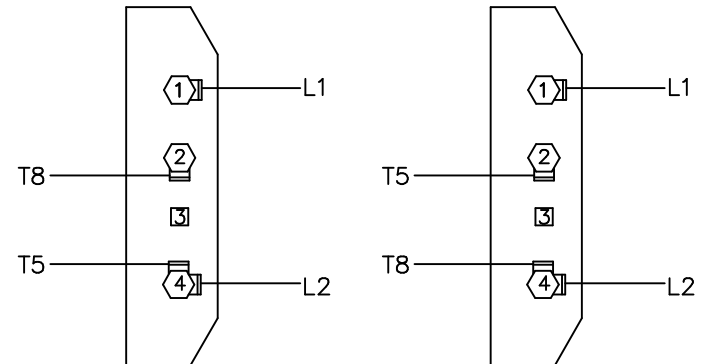


LINE LEADS



C.C.W. L.E. ROTATION

C.W. L.E. ROTATION



TOLERANCES UNLESS OTHERWISE SPECIFIED

DECIMALS

.00 ± .01

.000 ± .005

.0000 ± .0005

FRACTIONS ± 1/64

ANGLES ± 1/2°

INCH/MM

**LEESON** ELECTRIC CORPORATION

DRAWN JRW 12/12/75

CH'K'D. TEM

APPR. 12/17/75

SCALE 1=1

REF.

FMF A6K34DC1

TITLE EXTERNAL WIRING DIAGRAM  
TYPE "K" W/ PROTECTOR

MAT'L. DECAL - 004112

**BRF**

FINISH

SIZE A

DRAWING NO. 005056-02

|     |                |     |          |
|-----|----------------|-----|----------|
| 10  | REDRAWN ON CAD | DBT | 06/23/97 |
| NO. | REVISION       | BY  | DATE     |

THIS DRAWING IN DESIGN AND DETAIL IS OUR PROPERTY AND MUST NOT BE USED EXCEPT IN CONNECTION WITH OUR WORK ALL RIGHTS OF DESIGN AND INVENTION ARE RESERVED



**1051 CHEYENNE AVE.  
GRAFTON, WI 53024  
PH. 262-377-8810**

**CERTIFICATION DATA SHEET**

**CONN. DIAGRAM:** 005056.02

**CATALOG #:** 111275.00

**OUTLINE:** 028586-850C

**MOUNTING:** F1 ONLY

**WINDING #:** K632130 DR 2 A

**TYPICAL MOTOR PERFORMANCE DATA**

| HP | kW   | SYNC. RPM | F.L. RPM | FRAME | ENCLOSURE | KVA CODE | DESIGN |
|----|------|-----------|----------|-------|-----------|----------|--------|
| 5  | 3.70 | 3600      | 3450     | 56Y   | DP        | E        | L      |

| PH | Hz | VOLTS | AMPS | START TYPE      | DUTY       | INSL | S.F. | AMB°C |
|----|----|-------|------|-----------------|------------|------|------|-------|
| 1  | 60 | 230   | 20.8 | ACROSS THE LINE | CONTINUOUS | F4   | 1.0  | 40    |

| FULL LOAD EFF: | 82.5 | 3/4 LOAD EFF: | 83.8 | 1/2 LOAD EFF: | 82.8 | GTD. EFF |  | ELEC. TYPE        |  |
|----------------|------|---------------|------|---------------|------|----------|--|-------------------|--|
| FULL LOAD PF:  | 95   | 3/4 LOAD PF:  | 93.8 | 1/2 LOAD PF:  | 91.4 | 80       |  | CAP START CAP RUN |  |

| F.L. TORQUE | LOCKED ROTOR AMPS | L.R. TORQUE      | B.D. TORQUE      | F.L. RISE°C |
|-------------|-------------------|------------------|------------------|-------------|
| 7.5 LB-FT   | 107               | 12.3 LB-FT 164 % | 14.3 LB-FT 191 % | 105         |

| SOUND PRESSURE @ 3 FT. | SOUND POWER | ROTOR WK^2    | MAX. WK^2   | SAFE STALL TIME | STARTS / HOUR | APPROX. MOTOR WGT |
|------------------------|-------------|---------------|-------------|-----------------|---------------|-------------------|
| 0 dBA                  | 10 dBA      | 0.095 LB-FT^2 | 0.1 LB-FT^2 | 10 SEC.         | 0             | 47 LBS.           |

**\*\*\* SUPPLEMENTAL INFORMATION \*\*\***

| DE BRACKET TYPE | ODE BRACKET TYPE | MOUNT TYPE | ORIENTATION | SEVERE DUTY | HAZARDOUS LOCATION | DRIP COVER | SCREENS | PAINT                  |
|-----------------|------------------|------------|-------------|-------------|--------------------|------------|---------|------------------------|
| STANDARD        | STANDARD         | RIGID      | HORIZONTAL  | FALSE       | NONE               | FALSE      | NONE    | BLUE - LEESON (ENAMEL) |

| BEARINGS |      | GREASE     | SHAFT TYPE  | SPECIAL DE | SPECIAL ODE | SHAFT MATERIAL           | FRAME MATERIAL |
|----------|------|------------|-------------|------------|-------------|--------------------------|----------------|
| DE       | ODE  |            |             |            |             |                          |                |
| BALL     | BALL | POLYREX EM | STANDARD 56 | NONE       | NONE        | 1144 STRESSPROOF (C-223) | ROLLED STEEL   |
| 6205     | 6203 |            |             |            |             |                          |                |

| THERMO-PROTECTORS |            |          |          | THERMISTORS | CONTROL | SPACE HEATERS |
|-------------------|------------|----------|----------|-------------|---------|---------------|
| THERMOSTATS       | PROTECTORS | WDG RTDs | BRG RTDs |             |         |               |
| NONE              | MANUAL     | NONE     | NONE     | NONE        | FALSE   | NONE VOLTS    |

\*  
N  
O  
T  
E  
S

|                                  |
|----------------------------------|
| <b>INVERTER TORQUE:</b> NONE     |
| <b>INV. HP SPEED RANGE:</b> NONE |
| <b>ENCODER:</b> NONE             |
| NONE NONE                        |
| NONE NONE PPR                    |
| <b>BRAKE:</b> NONE NONE          |
| NONE P/N NONE                    |
| NONE NONE                        |
| NONE FT-LB NONE V NONE Hz        |

