

PRODUCT INFORMATION PACKET



Model No: 111080.00
Catalog No: 111080.00
Instant Reversing Motor, 0.50 HP, 1 Ph, 60 Hz, 115 V, 1800 RPM, 56H Frame, DP



Regal and Leeson are trademarks of Regal Rexnord Corporation or one of its affiliated companies.
©2022 Regal Rexnord Corporation, All Rights Reserved. MC017097E





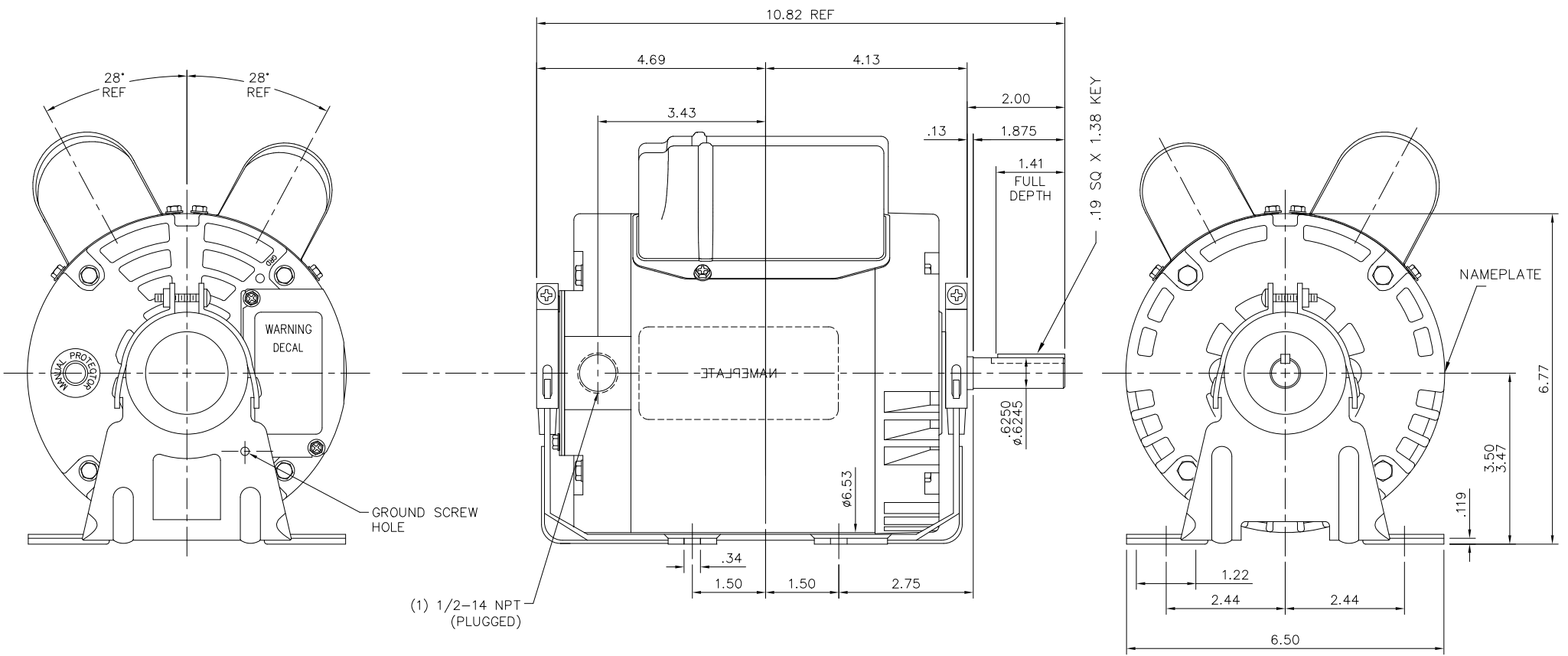
Nameplate Specifications


Output HP	0.50 Hp	Output KW	0.37 kW
Frequency	60 Hz	Voltage	115 V
Current	6.0 A	Speed	1625 rpm
Service Factor	1	Phase	1
Efficiency	55 %	Power Factor	90
Duty	Rapid Reversing	Insulation Class	B
Design Code	N	KVA Code	A
Frame	56H	Enclosure	Drip Proof
Thermal Protection	Manual	Ambient Temperature	40 °C
Drive End Bearing Size	6203	Opp Drive End Bearing Size	6203
UL	Recognized	CSA	Y
CE	N	IP Code	22
Number of Speeds	1		

Technical Specifications

Electrical Type	Permanent Split Capacitor	Starting Method	Across The Line
Poles	4	Rotation	Selective Counterclockwise
Resistance Main	0 Ohms	Mounting	Resilient Base
Motor Orientation	Horizontal	Drive End Bearing	Ball
Opp Drive End Bearing	Ball	Frame Material	Rolled Steel
Shaft Type	NEMA 56	Assembly/Box Mounting	F1 ONLY
Outline Drawing	OL111080	Connection Drawing	005024.06

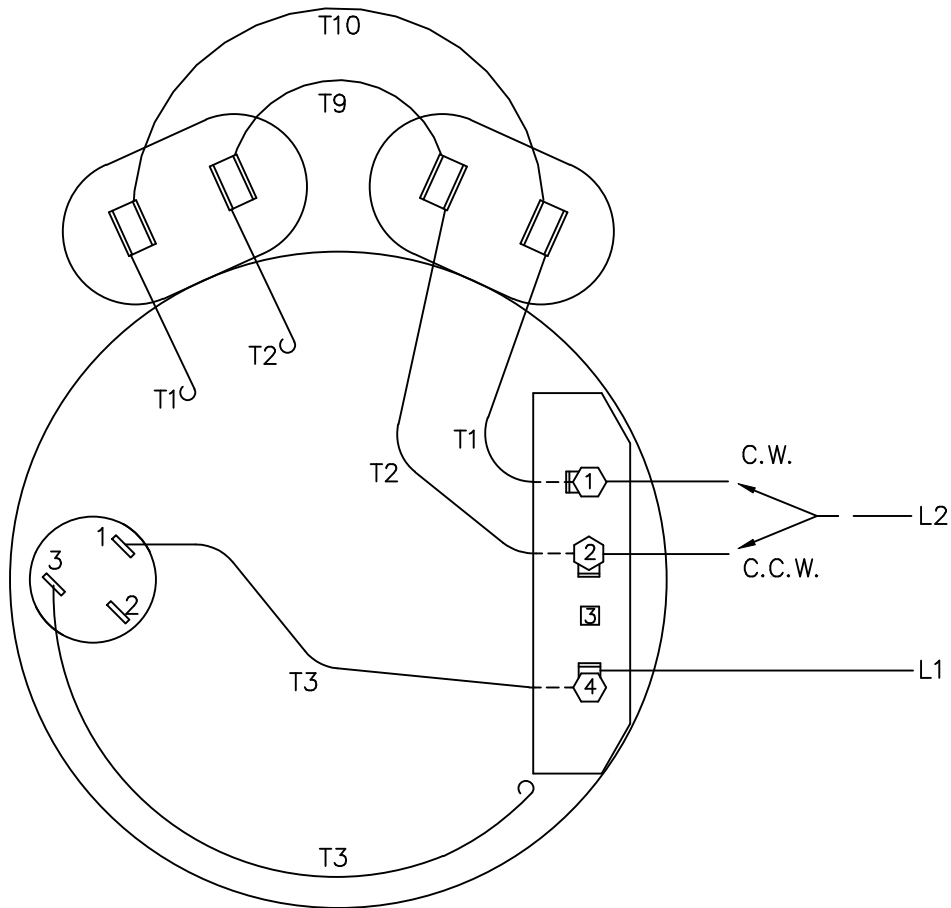
This is an uncontrolled document once printed or downloaded and is subject to change without notice. Date Created:11/30/2022



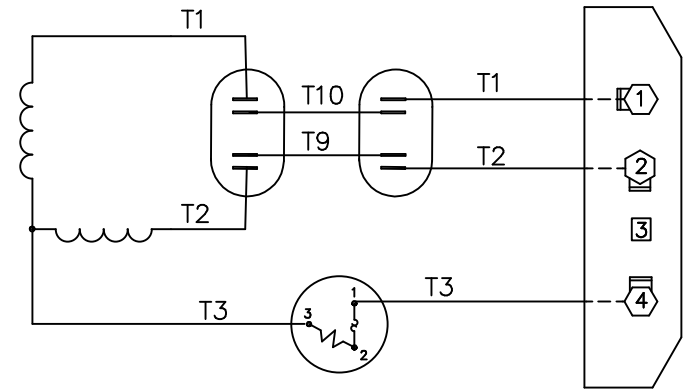
				TOLERANCES UNLESS SPECIFIED		 ELECTRIC MOTORS GEARMOTORS AND DRIVES		DRAWN RB 12/04/06		
				DEC.	INCHES			CHK	APPD	
03	UPDATED NP METAL TO MYLAR AS PER ECR-0221131	PP	10/07/22	PP	.XX	±.03	TITLE	OUTLINE - 56H FRAME		
02	ADDED GROUND SCREW HOLE TO BASE	ARV	2/28/11	PG	.XXX	±.005		DRIP PROOF - RESIL. BASE		
01	UPDATED BASE	ARV	6/2/08	PG	.XXXX	±.0005	MAT'L	REF 032648		
NO.	REVISION		BY & DATE	CHK	ANG	±1/2"	FINISH	FMF	PREV	
THIS DRAWING IN DESIGN AND DETAIL IS OUR PROPERTY AND MUST NOT BE USED EXCEPT IN CONNECTION WITH OUR WORK ALL RIGHTS OF DESIGN AND INVENTION ARE RESERVED THIS IS AN ELECTRONICALLY GENERATED DOCUMENT - DO NOT SCALE THIS PRINT				RFP	CAD FILE			OL111080	SIZE	DRAWING NO.
				DIST				B	OL111080	REV. 03

VIEW FROM OUTSIDE OF MOTOR AT SWITCH END

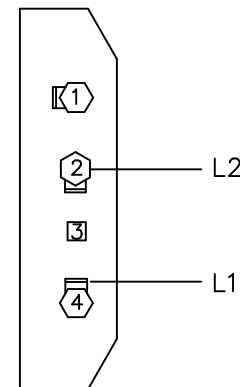
005024-06



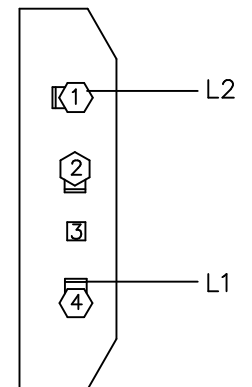
LINE LEADS



C.C.W. L.E.



C.W. L.E.



		TOLERANCES UNLESS SPECIFIED	
		DEC.	INCHES
		.X	±.1
		.XX	±.01
		.XXX	±.005
01	REDRAWN ON CAD	DBT	6/18/97
NO.	REVISION	BY & DATE	CHK ANG ±1/2'
		RFP	6/14/02
		DIST	



ELECTRIC MOTORS
GEARMOTORS
AND DRIVES

TITLE	EXTERNAL WIRING DIAGRAM TYPE "P" W/PROTECTOR
MAT'L.	DECAL - 004166 3 LEAD REVERSIBLE
FINISH	
CAD FILE	00502406
SIZE	A

DRAWN	DLL 1/5/81
CHK	ADH 1/5/81
APPD	JCW 1/6/81
SCALE	1=1
REF	
FMF	4P17DR1
PREV	
DRAWING NO.	005024-06
REV.	01