

PRODUCT INFORMATION PACKET



Model No: 110308.00

Catalog No: 110308.00

General Purpose Motor, 0.75 HP, 1 Ph, 60 Hz, 115/230 V, 1800 RPM, 56C Frame, TEFC

Operational at 115/208-230 V @60HZ



Regal and Leeson are trademarks of Regal Rexnord Corporation or one of its affiliated companies.

©2023 Regal Rexnord Corporation, All Rights Reserved. MC017097E





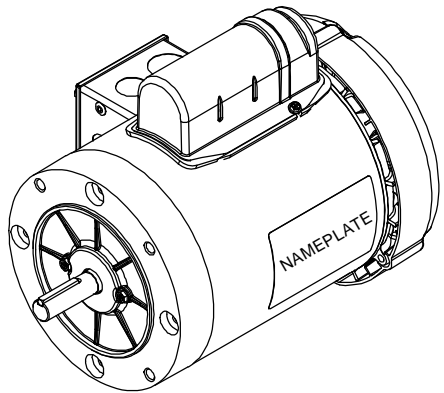
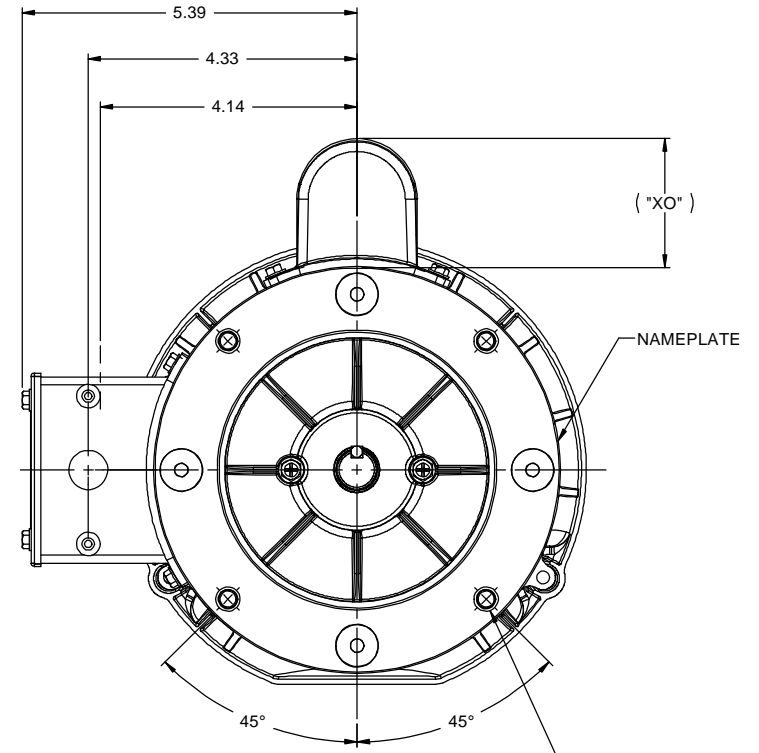
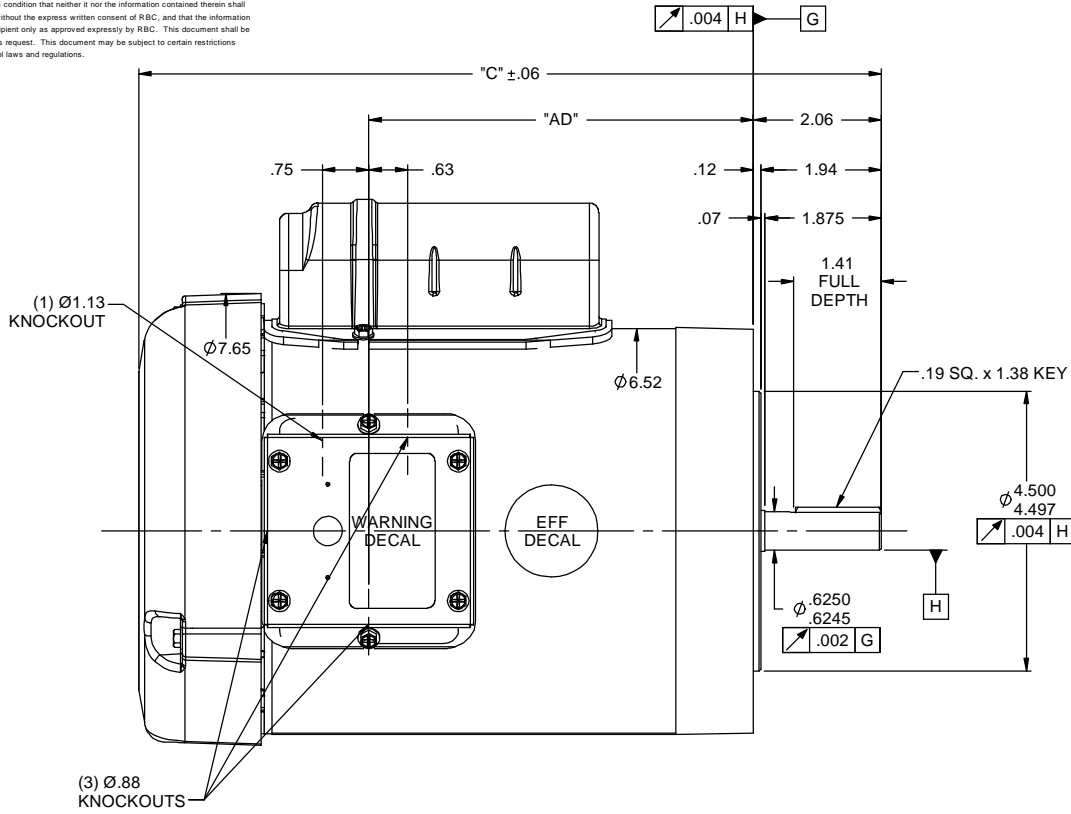
Nameplate Specifications

Phase	1	Output HP	0.75 Hp
Output KW	0.56 kW	Voltage	115/230 V
Speed	1725 rpm	Service Factor	1.15
Frame	56C	Enclosure	Totally Enclosed Fan Cooled
Thermal Protection	Automatic	Efficiency	70 %
Ambient Temperature	40 °C	Frequency	60 Hz
Current	10.8/5.4 A	Power Factor	64
Duty	Continuous	Insulation Class	B
Design Code	N	KVA Code	L
Drive End Bearing Size	6203	Opp Drive End Bearing Size	6203
UL	Recognized	CSA	Y
CE	N	IP Code	43
Number of Speeds	1		

Technical Specifications

Electrical Type	Capacitor Start Induction Run	Starting Method	Across The Line
Poles	4	Rotation	Selective Counterclockwise
Resistance Main	2.6 Ohms	Mounting	Round
Motor Orientation	Horizontal	Drive End Bearing	Ball
Opp Drive End Bearing	Ball	Frame Material	Rolled Steel
Shaft Type	NEMA 56	Overall Length	11.46 in
Frame Length	6.00 in	Shaft Diameter	0.625 in
Shaft Extension	1.88 in	Assembly/Box Mounting	F1 ONLY
Connection Drawing	005003.03	Outline Drawing	028895-600B

RBC PROPRIETARY AND CONFIDENTIAL INFORMATION
 This document is the property of REGAL BELOIT CORPORATION ("RBC") including its subsidiaries and divisions and contains proprietary information of RBC. This document is loaned on the express condition that neither it nor the information contained therein shall be disclosed to others without the express written consent of RBC, and that the information shall be used by the recipient only as approved expressly by RBC. This document shall be returned to RBC upon its request. This document may be subject to certain restrictions under U.S. export control laws and regulations.

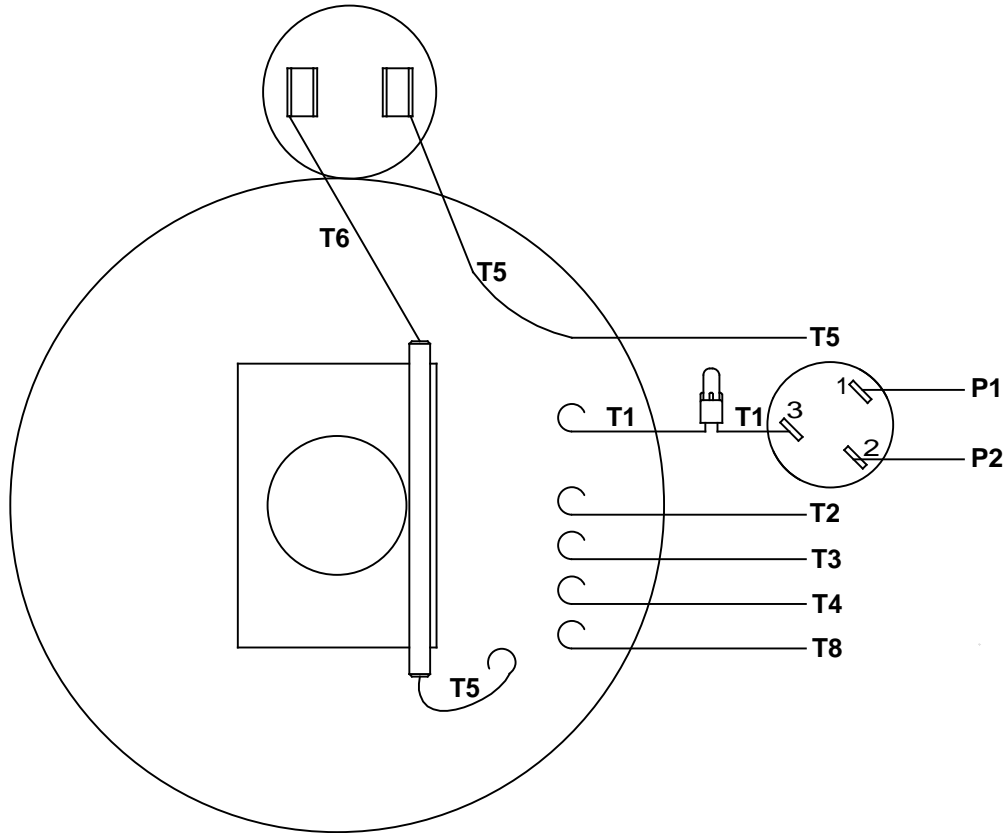


DASH NO.	"C"	"AD"	CAP DASH	"XO"
600	11.46	5.69	A	2.32
650	11.96	6.19	B	2.08
700	12.46	6.69	C	1.61
750	12.96	7.19		
800	13.46	7.69		
850	13.96	8.19		

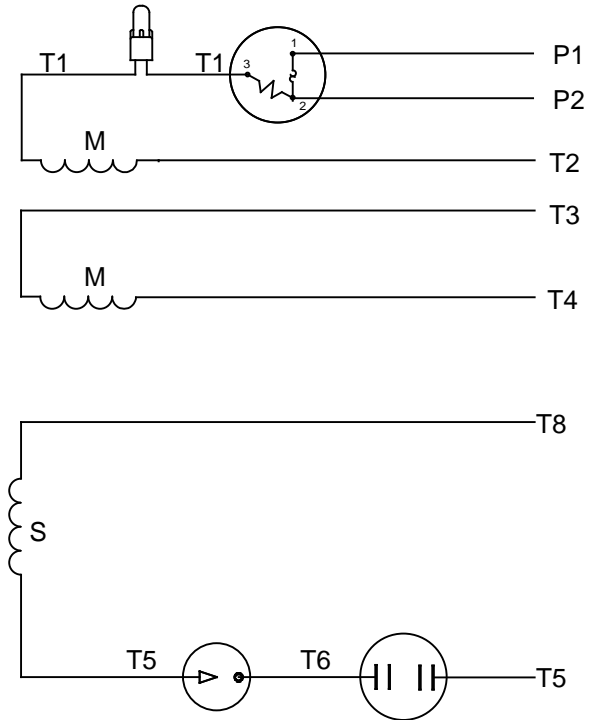
NOTES:
 1) GASKETS THROUGHOUT

TOLERANCES UNLESS SPECIFIED		LEESON	ELECTRIC MOTORS GEARMOTORS AND DRIVES	DRAWN GRB 10/23/08		
DEC	INCHES				CHK DJ 10/23/08	
X	±.1	TITLE OUTLINE - 56 FRAME TEFC - "C" FACE	SCALE 1:2	APPR		
XX	±.03					
XXX	±.005				REF 033098	
XXXX	±.0005				FMF 110308.00	
NO	REVISION	BY & DATE	CHK LANG ±1/2"	FINISH	PAGE OF	
THIRD ANGLE PROJECTION		RFPP	PREV	SIZE B	DRAWING NO 028895	REV
NETWORK FILE NAME 028895						

VIEW FROM OUTSIDE OF MOTOR AT SWITCH END



LINE LEADS



RBC PROPRIETARY AND CONFIDENTIAL INFORMATION
 This document is the property of REGAL BELOIT CORPORATION ("RBC") including its subsidiaries and divisions and contains proprietary information of RBC. This document is loaned on the express condition that neither it nor the information contained therein shall be disclosed to others without the express written consent of RBC, and that the information shall be used by the recipient only as approved expressly by RBC. This document shall be returned to RBC upon its request. This document may be subject to certain restrictions under U.S. export control laws and regulations.

	ROTATION FACING LEAD END	L1	L2	JOIN	INSULATE SEPARATELY
HIGH VOLT	C.C.W.	P1	T4 T5	T2,T3 T8	P2
	C.W.	P1	T4 T8	T2,T3 T5	P2
LOW VOLT	C.C.W.	P1	T2,T4 T5	P2,T3 T8	---
	C.W.	P1	T2,T4 T8	P2,T3 T5	---

		TOLERANCES UNLESS SPECIFIED		LEESON	ELECTRIC MOTORS GEARMOTORS AND DRIVES	DRAWN	
NO	REVISION	DEC	INCHES			WLV	08/20/79
		.X	±.1			CHK	ADN 08/27/76
		.XX	±.01			APPR	WRK 08/27/76
06	REDRAWN IN SOLIDWORKS	VJB	7/22/2011		TITLE	SCALE	1:1
05	REDRAWN ON CAD	DBT	05/27/97		EXTERNAL WIRING DIAGRAM TYPE "C" W/PROTECTOR	REF	
					MAT'L	FMF	
					FINISH	PAGE	OF
						SIZE	DRAWING NO
						A	005003-03
						REV	06





CERTIFICATION DATA SHEET

**1051 CHEYENNE AVE.
GRAFTON, WI 53024
PH. 262-377-8810**

CONN. DIAGRAM: 005003.03

CATALOG #: 110308.00

OUTLINE: 028895-600B

MOUNTING: F1 ONLY

WINDING #: C634258 FR 3 A

TYPICAL MOTOR PERFORMANCE DATA

HP	kW	SYNC. RPM	F.L. RPM	FRAME	ENCLOSURE	KVA CODE	DESIGN
3/4	0.56	1800	1725	56C	TEFC	L	N

PH	Hz	VOLTS	AMPS	START TYPE	DUTY	INSL	S.F.	AMB°C
1	60	115/208-230	10.8/5.4	ACROSS THE LINE	CONTINUOUS	B4	1.15	40

FULL LOAD EFF:	70	3/4 LOAD EFF:	67.8	1/2 LOAD EFF:	61.3	GTD. EFF		ELEC. TYPE	
FULL LOAD PF:	64	3/4 LOAD PF:	55.3	1/2 LOAD PF:	44.6	66		CAP START IND RUN	

F.L. TORQUE	LOCKED ROTOR AMPS	L.R. TORQUE	B.D. TORQUE	F.L. RISE°C
35.94 OZ-FT	60.2 / 30.1	114.48 OZ-FT 0 %	98.47 OZ-FT 0 %	78

SOUND PRESSURE @ 3 FT.	SOUND POWER	ROTOR WK^2	MAX. WK^2	SAFE STALL TIME	STARTS / HOUR	APPROX. MOTOR WGT
54 dBA	64 dBA	0.08 LB-FT^2	0 LB-FT^2	10 SEC.	0	31 LBS.

***** SUPPLEMENTAL INFORMATION *****

DE BRACKET TYPE	ODE BRACKET TYPE	MOUNT TYPE	ORIENTATION	SEVERE DUTY	HAZARDOUS LOCATION	DRIP COVER	SCREENS	PAINT
C-FACE	STANDARD	ROUND	HORIZONTAL	FALSE	NONE	FALSE	NONE	BLUE - LEESON (ENAMEL)

BEARINGS		GREASE	SHAFT TYPE	SPECIAL DE	SPECIAL ODE	SHAFT MATERIAL	FRAME MATERIAL
DE	ODE						
BALL	BALL	POLYREX EM	STANDARD 56	NONE	NONE	1144 STRESSPROOF (C-223)	ROLLED STEEL
6203	6203						

THERMO-PROTECTORS				THERMISTORS	CONTROL	SPACE HEATERS
THERMOSTATS	PROTECTORS	WDG RTDs	BRG RTDs			
NONE	AUTOMATIC	NONE	NONE	NONE	FALSE	NONE VOLTS

*
N
O
T
E
S

INVERTER TORQUE: NONE
INV. HP SPEED RANGE: NONE
ENCODER: NONE
NONE NONE
NONE NONE PPR
BRAKE: NONE NONE
NONE P/N NONE
NONE NONE
NONE FT-LB NONE V NONE Hz

