

PRODUCT INFORMATION PACKET



Model No: C6T17FC7G

Catalog No: 110177.00

3/4HP..1725RPM.56.TEFC./575V.3PH.60HZ.CONT.NOT.40C.1.15SF.C FACE.575 VOLT.C6T17FC7G
575 Volts



Regal and Leeson are trademarks of Regal Beloit Corporation or one of its affiliated companies.

©2018 Regal Beloit Corporation, All Rights Reserved. MC017097E



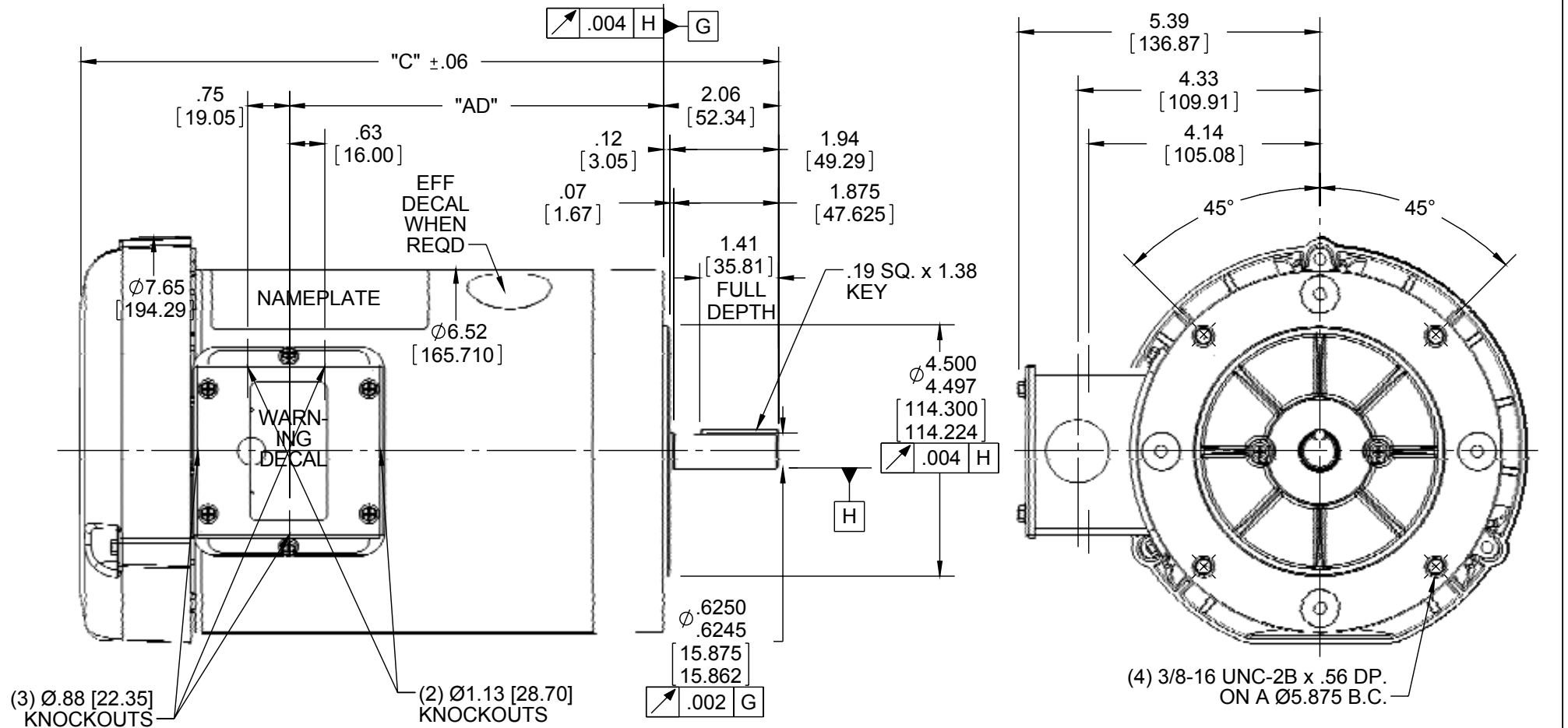


Nameplate Specifications

Output HP	0.75 Hp	Output KW	0.56 kW
Frequency	60 Hz	Voltage	575 V
Current	1.1 A	Speed	1725 rpm
Service Factor	1.15	Phase	3
Efficiency	77 %	Duty	Continuous
Insulation Class	B	Design Code	B
KVA Code	K	Frame	56C
Enclosure	Totally Enclosed Fan Cooled	Overload Protector	No
Ambient Temperature	40 °C	Drive End Bearing Size	6203
Opp Drive End Bearing Size	6203	UL	Recognized
CSA	Y	CE	N
IP Code	54		

Technical Specifications

Electrical Type	Squirrel Cage Induction Run	Starting Method	Across The Line
Poles	4	Rotation	Reversible
Mounting	Round	Motor Orientation	HORIZONTAL
Drive End Bearing	BALL	Opp Drive End Bearing	BALL
Frame Material	Rolled Steel	Shaft Type	NEMA 56
Overall Length	10.48 in	Frame Length	5.00 in
Shaft Diameter	0.625 in	Shaft Extension	1.88 in
Assembly/Box Mounting	F1 ONLY		
Outline Drawing	028776-500	Connection Diagram	005102.01



NOTE:
1) GASKETS THROUGHOUT

ORACLE REV
004

DASH NO.	"C"	"AD"
450	9.98	4.19
500	10.48	4.69
550	10.98	5.19
600	11.48	5.69
625	11.73	5.94

DASH NO.	"C"	"AD"
650	11.98	6.19
675	12.23	6.44
700	12.48	6.69
750	12.98	7.19
800	13.48	7.69

DRAWING REVISION E	REVISION BY STEVE WEBER	DATE 01/19/16
ECO ECO-0092098	APPROVED BY	DATE
ECO DESCRIPTION ADDED #450 (114176)		
<small>COPYRIGHT REGAL BELOIT AMERICA, INC. ALL RIGHTS RESERVED. PROPRIETARY AND CONFIDENTIAL INFORMATION - THIS DOCUMENT IS THE PROPERTY OF REGAL BELOIT AMERICA, INC. ("OWNER") AND CONTAINS OWNER'S PROPRIETARY INFORMATION. ANY PERSON, CORPORATION OR OTHER FIRM RECEIVING IT IS DEEMED, BY RECEIVING IT, TO AGREE THAT IT, AND/OR ANY PART OF IT, SHALL NOT BE DISCLOSED TO ANY PERSON, CORPORATION OR OTHER ENTITY, DUPLICATED, AND/OR USED, EXCEPT AS EXPRESSLY APPROVED IN WRITING IN ADVANCE BY OWNER. THIS DOCUMENT SHALL BE RETURNED TO OWNER UPON REQUEST. IT MAY BE SUBJECT TO CERTAIN RESTRICTIONS UNDER APPLICABLE EXPORT CONTROL LAWS AND REGULATIONS.</small>		

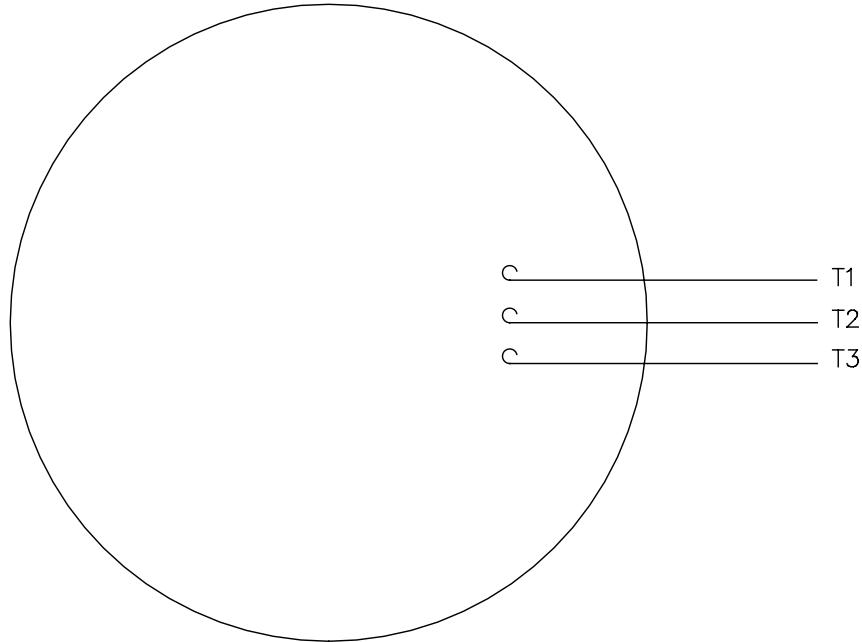
TOLERANCES UNLESS OTHERWISE SPECIFIED:			
DEC.	INCH	mm	ANGLE
.X	±0.1	[±2.5]	±0.5°
.XX	±0.01	[±0.25]	
.XXX	±0.005	[±0.127]	
.XXXX	±0.0005	[±0.0127]	
REMOVE BURRS & BREAK SHARP EDGES: .003/.015 [.076/.381] X 45°			
CORNER FILLETS: R.02 [.51]			
MACHINED SURFACES: 125/3.2			
mm SHOWN IN [BRACKETS]			

DRAWN BY KMM
DATE 08/01/07
APPROVED BY
DATE
REFERENCE
THIRD ANGLE PROJECTION

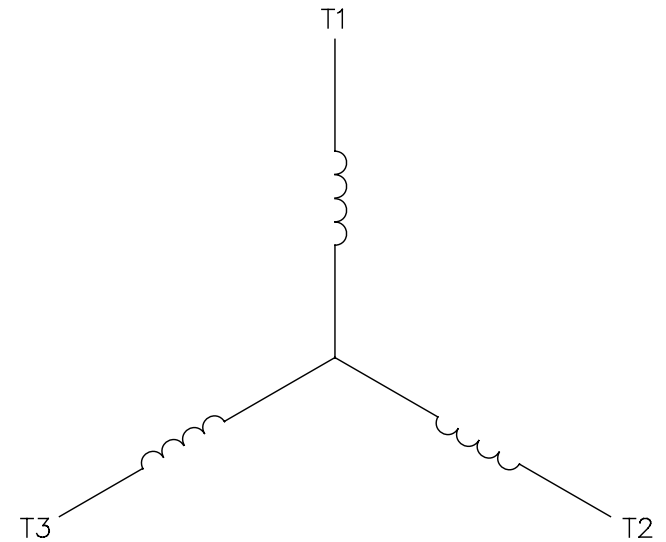
Regal Beloit America, Inc.	
DESCRIPTION OUTLINE 56C FRAME TEFC - "C" FACE	
MATERIAL	PROCESS/FINISH GENERAL PURPOSE
SIZE A	DRAWING NUMBER 028776
SHEET 1 OF 1	

005102-01

VIEW FROM OUTSIDE OF MOTOR AT SWITCH END.



LINE LEADS



CONNECT LEADS AS FOLLOWS
FOR FOUR CONDUCTOR CORD ()

CORD	L1 (RED)	L2 (WHITE)	L3 (BLACK)	(GREEN)
MOTOR	T1	T2	T3	GROUND

				TOLERANCES UNLESS SPECIFIED		REGAL ™ Regal Beloit America, Inc.		DRAWN JRW 9/11/75		
				DEC.	INCHES			CHK		
				.X	±.1			APPD JCW 9/11/75		
08	UPDATED TO REGAL LOGO	SAJ 06/26/15	AJY	.XX	±.01	TITLE EXTERNAL WIRING DIAGRAM TYPE "T" W/O PROTECTOR		SCALE 1=1		
07	UPDATED TO CURRENT STANDARDS	DBT 5/30/97		.XXX	±.005			REF W-T6343-6		
06	REDRAWN ON CAD; ADDED DECAL NUMBER	SAW 1/24/95		.XXXX	±.0005			FMF 6T17FB7		
NO.	REVISION	BY & DATE	CHK	ANG	±1/2"	FINISH		PREV		
THIS DRAWING IN DESIGN AND DETAIL IS OUR PROPERTY AND MUST NOT BE USED EXCEPT IN CONNECTION WITH OUR WORK ALL RIGHTS OF DESIGN AND INVENTION ARE RESERVED THIS IS AN ELECTRONICALLY GENERATED DOCUMENT - DO NOT SCALE THIS PRINT				RFP	5/1/02	CAD FILE 00510201		SIZE	DRAWING NO.	REV.
				DIST BRF-NLV		A	005102-01	08		



P.O. BOX 8003
WAUSAU, WI 54401-8003
PH. 715-675-3311

DATA VOLTS: 460

CERTIFICATION DATA SHEET

CONN. DIAGRAM: 005102.01
OUTLINE: 028776-500
WINDING: T634188

CAT #: 110177.00

FR 4

TYPICAL MOTOR PERFORMANCE DATA

HP	KW	SYNC RPM	FL RPM	FRAME	ENCLOSURE	TYPE	KVA CODE	DESIGN	
0.75	0.56	1800	1745	56C	TEFC	TFR	K	B	
PH	HZ	VOLTS	AMPS	START TYPE	DUTY	INSL	S.F.	AMB	ELEV.
3	60	575	1.12	ACROSS THE LINE	CONT	B	1.15	40	3300
F.L. EFF	F.L. PF	3/4 LD EFF	75.6	1/2 LD EFF	70.3	GTD EFF	0.0	ELECT. TYPE	
		3/4 LD PF	54.7	1/2 LD PF	42.5	SQ CAGE IND RUN			
F.L. TORQUE	LR AMPS @ 460 V	L.R. TORQUE	B.D. TORQUE	F.L. RISE (°C)					
574 LB-FT	6.5	1,691 LB-FT	295%	2,137 LB-FT	372%	60			
PRESSURE @3	POWER	ROTOR WK²	MAX. LOAD WK²	SAFE STALL TIME	STARTS/HOUR	MOTOR WGT			
52 DBA	61 DBA	0.06 LB-FT²	0.1 LB-FT²	10 SEC.	0	0 LB.			

*** SUPPLEMENTAL INFORMATION ***

DE BRACKET TYPE	ODE BRACKET TYPE	MOUNT TYPE	MOTOR ORIENTATION	SEVERE DUTY	HAZARDOUS LOCATION	DRIIP COVER	SCREENS	PAINT
C-FACE	STANDARD	ROUND	HORIZONTAL	NO	NONE	NO	NONE	JE-LEESON(ENAM)
BEARINGS DE	GREASE	SHAFT TYPE	SPECIAL DE	SPECIAL ODE	SHAFT MATERIAL	FRAME MATERIAL		
BALL BALL 6203	POLYREX EM	STANDARD 56	NONE	NONE	1144 STRESSPROOF (C-223)	ROLLED STEEL		

THERMOSTATS	PROTECTORS	WDG RTD's	BRG RTD's	THERMISTORS	CONTROL	SPACE HEATERS
NONE	NOT	NONE	NONE	NONE	FALSE	NA
R1 (ohms/ph)	R2 (ohms/ph)	X1 (ohms/ph)	X2 (ohms/ph)	Xm (ohms/ph)	VIBRATION (in/sec)	FLOAT ODE
0	0	0	0	0	0.150	

* N O T E S *		INVERTER TORQUE: NONE	
		INV. HP SPEED RANGE: NONE	
		ENCODER: NONE	
		NONE	
		BRAKE: NONE	
		NONE	
		FT-LB: NA	
		VOLTAGE: NONE	
		NONE	
		HAZ: NONE	
		PPR: NONE	

DATE:	2/21/2018	UL: Y-(LEESON UL REC)
-------	-----------	-----------------------

Data Sheet

Date: 1/31/2018

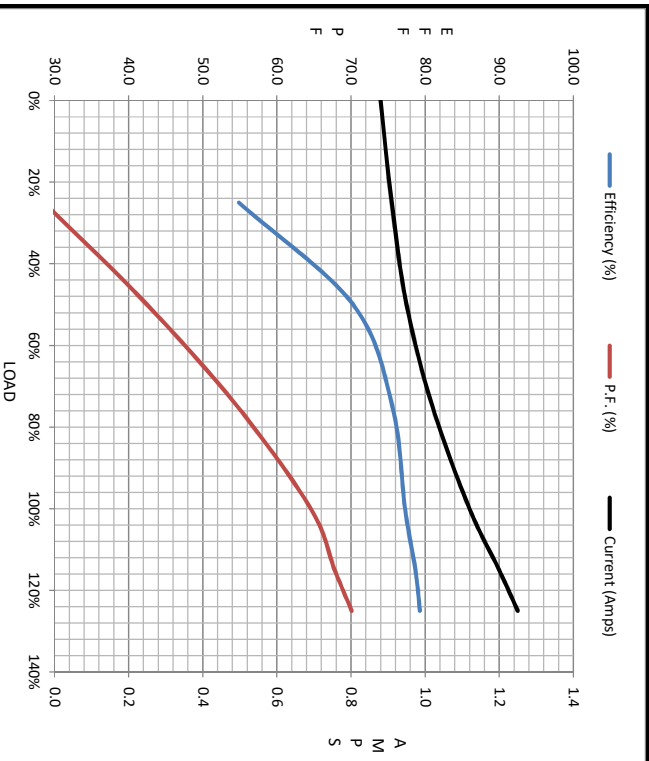
11017700



Data @ 575 V

Motor Load Data								
Load	0%	25%	50%	75%	100%	115%	125%	LR
Current (Amps)	0.88	0.91	0.95	1.02	1.12	1.20	1.25	6.5
Torque (ft-lb)	0.00	144	287	431	574	660	718	1,691
RPM	1800	1787	1774	1760	1745	1735	1730	0
Efficiency (%)		54.9	70.3	75.6	77.3	78.7	79.3	
P.F. (%)	13.0	28.6	42.5	54.7	64.6	67.8	70.1	0.0

Motor Speed Data						
	LR	Pull-Up	BD	Rated	Idle	
Speed (RPM)	0	300	1550	1745	1800	Information Block
Current (Amps)	6.5	6.4	3.9	1.12	0.88	HP 0.8
Torque (ft-lb)	1,691	1,643	2,137	574	0.00	Sync. RPM 1800
						Frame 140
						Enclosure TEFC
						Construction TFR
						Voltage 575 V
						Frequency 60 Hz
						Design B
						LR Code letter K
						Service Factor 1.15
						Temp Rise @ FL 60 °C
						Duty CONT
						Ambient 40 °C
						Elevation 1,000 feet
						Rotor/Shaft wk² 0.06 LB-Ft²
						Ref Wdg T634188 FR
						Sound Pressure @ 1M 52 dBA
						VFD Rating NONE
						Outline Dwg 028776-500
						Conn. Diag 005102.01
						Additional Specifications:
						0
						EQUIV CKT (OHMS / PHASE)
						R1 R2 X1 X2 Xm
						0.0000 0.0000 0.0000 0.0000 0.0000



Information Block			
HP	0.8		
Sync. RPM	1800		
Frame	140		
Enclosure	TEFC		
Construction	TFR		
Voltage	575		V
Frequency	60		Hz
Design	B		
LR Code letter	K		
Service Factor	1.15		
Temp Rise @ FL	60		°C
Duty	CONT		
Ambient	40		°C
Elevation	1,000		feet
Rotor/Shaft wk²	0.06		LB-Ft²
Ref Wdg	T634188 FR		
Sound Pressure @ 1M	52		dBA
VFD Rating	NONE		
Outline Dwg	028776-500		
Conn. Diag	005102.01		
Additional Specifications:			
0			

