

PRODUCT INFORMATION PACKET



Model No: 110009.00

Catalog No: 110009.00

General Purpose Motor, 0.33 HP, 1 Ph, 60 Hz, 115/230 V, 1200 RPM, 56 Frame, TEFC

Operational at 115/208-230 V @60HZ



Regal and Leeson are trademarks of Regal Rexnord Corporation or one of its affiliated companies.

©2023 Regal Rexnord Corporation, All Rights Reserved. MC017097E



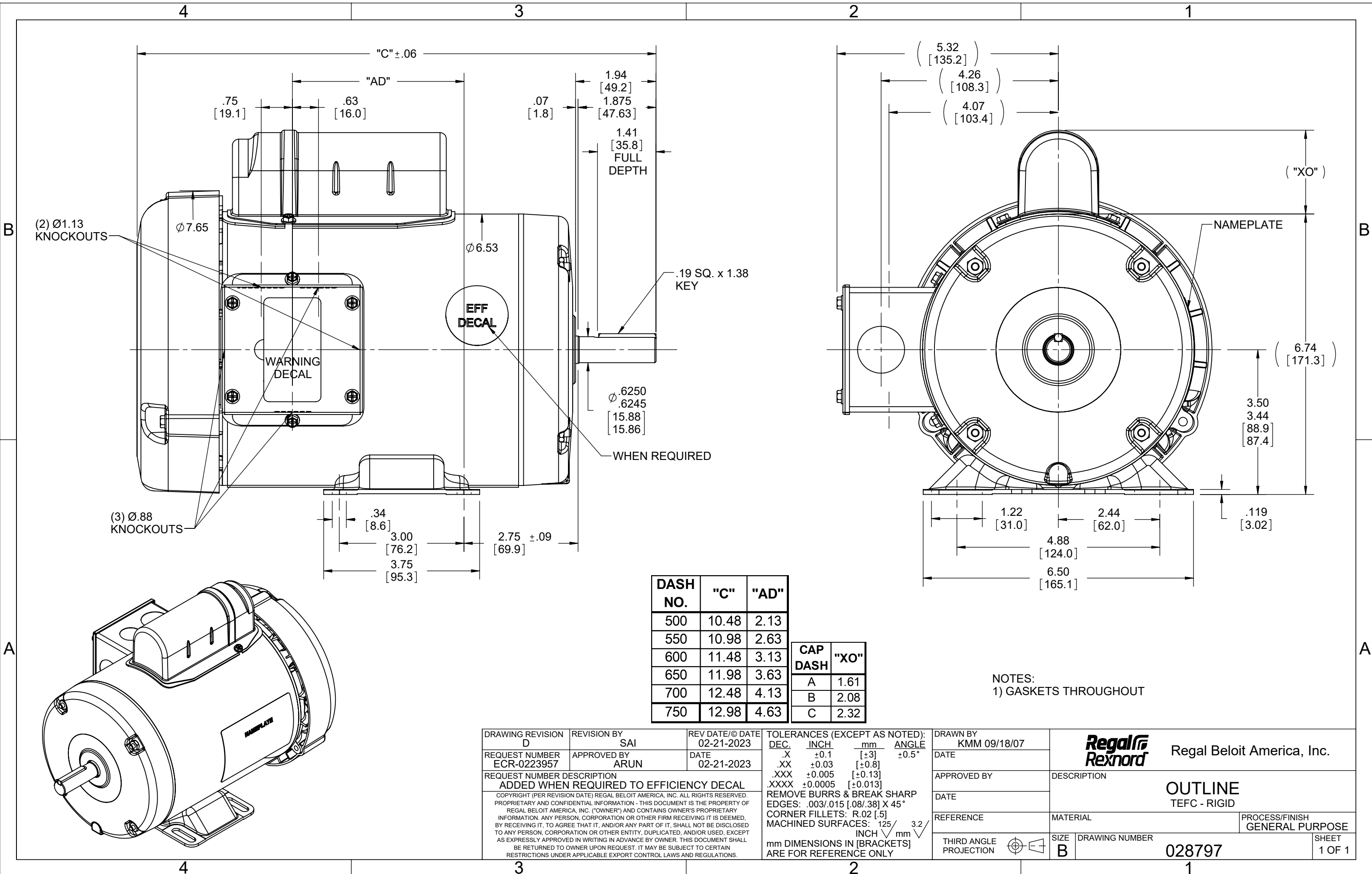


Nameplate Specifications

Phase	1	Output HP	0.33 Hp
Output KW	0.25 kW	Voltage	115/230 V
Speed	1140 rpm	Service Factor	1.0
Frame	56	Enclosure	Totally Enclosed Fan Cooled
Thermal Protection	No Protection	Efficiency	57.7 %
Ambient Temperature	40 °C	Frequency	60 Hz
Current	7.8/3.9 A	Power Factor	50
Duty	Continuous	Insulation Class	B
Design Code	N	KVA Code	M
Drive End Bearing Size	6203	Opp Drive End Bearing Size	6203
UL	Recognized	CSA	Y
CE	N	IP Code	43
Number of Speeds	1		

Technical Specifications

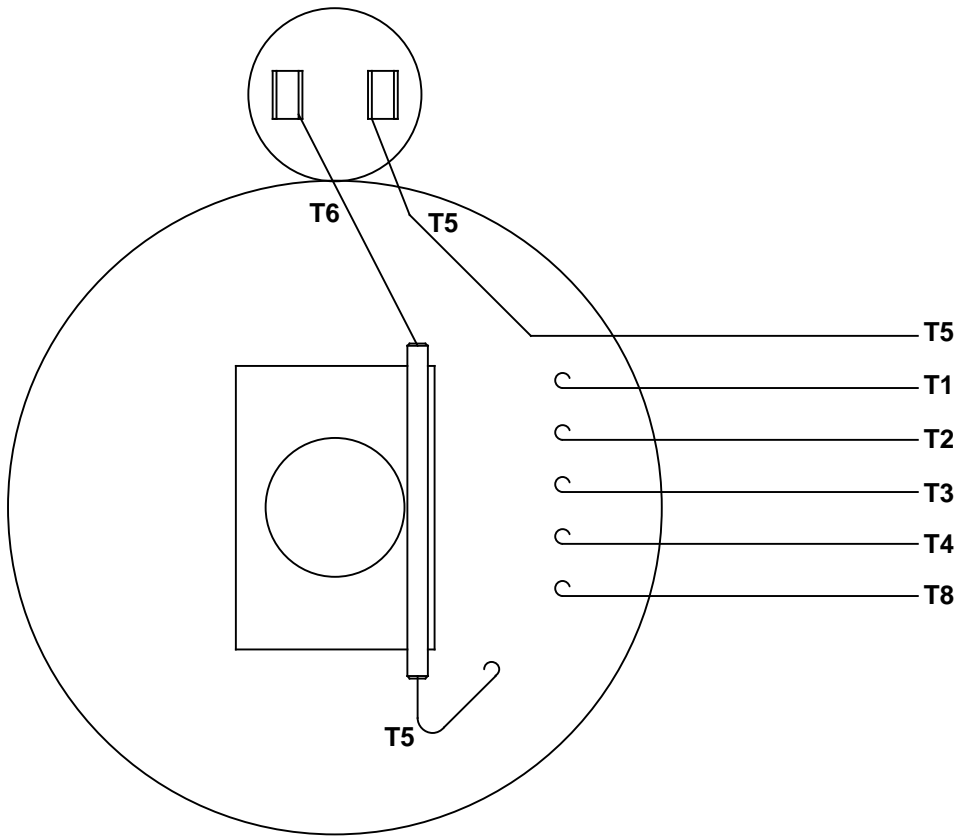
Electrical Type	Capacitor Start Induction Run	Starting Method	Across The Line
Poles	6	Rotation	Selective Counterclockwise
Resistance Main	4.8 Ohms	Mounting	Rigid Base
Motor Orientation	Horizontal	Drive End Bearing	Ball
Opp Drive End Bearing	Ball	Frame Material	Rolled Steel
Shaft Type	NEMA 56	Overall Length	12.48 in
Frame Length	7.00 in	Shaft Diameter	0.625 in
Shaft Extension	1.88 in	Assembly/Box Mounting	F1 ONLY
Outline Drawing	028797-700A	Connection Drawing	005005.01



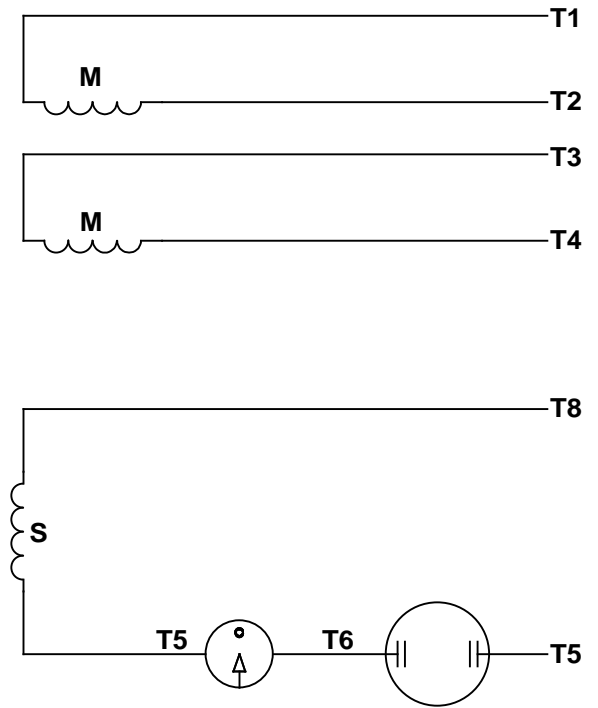
NOTES:
1) GASKETS THROUGHOUT

DRAWING REVISION D	REVISION BY SAI	REV DATE/© DATE 02-21-2023	TOLERANCES (EXCEPT AS NOTED): DEC. INCH mm ANGLE .X ±0.1 [±3] ±0.5° .XX ±0.03 [±0.8] .XXX ±0.005 [±0.13] .XXXX ±0.0005 [±0.013] REMOVE BURRS & BREAK SHARP EDGES: .003/.015 [0.08/.38] X 45° CORNER FILLETS: R.02 [5] MACHINED SURFACES: 125 INCH 3.2 mm DIMENSIONS IN [BRACKETS] ARE FOR REFERENCE ONLY	DRAWN BY KMM 09/18/07	Regal Beloit America, Inc.
REQUEST NUMBER ECR-0223957	APPROVED BY ARUN	DATE 02-21-2023		DATE	
REQUEST NUMBER DESCRIPTION ADDED WHEN REQUIRED TO EFFICIENCY DECAL COPYRIGHT (PER REVISION DATE) REGAL BELOIT AMERICA, INC. ALL RIGHTS RESERVED. PROPRIETARY AND CONFIDENTIAL INFORMATION - THIS DOCUMENT IS THE PROPERTY OF REGAL BELOIT AMERICA, INC. ("OWNER") AND CONTAINS OWNER'S PROPRIETARY INFORMATION. ANY PERSON, CORPORATION OR OTHER FIRM RECEIVING IT IS DEEMED, BY RECEIVING IT, TO AGREE THAT IT, AND/OR ANY PART OF IT, SHALL NOT BE DISCLOSED TO ANY PERSON, CORPORATION OR OTHER ENTITY, DUPLICATED, AND/OR USED, EXCEPT AS EXPRESSLY APPROVED IN WRITING IN ADVANCE BY OWNER. THIS DOCUMENT SHALL BE RETURNED TO OWNER UPON REQUEST. IT MAY BE SUBJECT TO CERTAIN RESTRICTIONS UNDER APPLICABLE EXPORT CONTROL LAWS AND REGULATIONS.				APPROVED BY	DESCRIPTION
				DATE	OUTLINE TEFC - RIGID
				REFERENCE	MATERIAL
				THIRD ANGLE PROJECTION	PROCESS/FINISH GENERAL PURPOSE
				SIZE B	DRAWING NUMBER 028797
					SHEET 1 OF 1

VIEW FROM OUTSIDE OF MOTOR AT SWITCH END.



LINE LEADS



RBC PROPRIETARY AND CONFIDENTIAL INFORMATION
 This document is the property of REGAL BELOIT CORPORATION ("RBC") including its subsidiaries and divisions and contains proprietary information of RBC. This document is loaned on the express condition that neither it nor the information contained therein shall be disclosed to others without the express written consent of RBC, and that the information shall be used by the recipient only as approved expressly by RBC. This document shall be returned to RBC upon its request. This document may be subject to certain restrictions under U.S. export control laws and regulations.

	ROTATION FACING LEAD END	L1	L2	JOIN
HIGH VOLT	C.C.W.	T1	T4, T5	T2, T3, T8
	C.W.	T1	T4, T8	T2, T3, T5
LOW VOLT	C.C.W.	T1, T3, T8	T2, T4, T5	-----
	C.W.	T1, T3, T5	T2, T4, T8	-----

--	REDRAWN IN SOLIDWORKS	VJB 02/16/11	TOLERANCES UNLESS SPECIFIED		LEESON	ELECTRIC MOTORS GEARMOTORS AND DRIVES	DRAWN ADH 08/06/73
27	UPDATED TO CURRENT STANDARDS	DBT 05/27/97	DEC	INCHES			CHK
26	ADDED PAGE 32 (114787) & PAGE 33 (114788)	KAZ 12/20/95	PG	.X ±.1	TITLE EXTERNAL WIRING DIAGRAM TYPE "C" W/O PROTECTOR		APPR JCW 03/09/79
25	ADDED PAGE 31	KAZ 04/19/95	DL	.XX ±.01	MAT'L DECAL - 004012		SCALE 1:1
24	ADDED PAGES 29 & 30	KMM 03/30/95	DL	.XXX ±.005	FINISH		REF FIG 2-23 C4A
23	ADDED PAGE 28	KMM 01/27/95		.XXXX ±.0005	RFP		FMF MGI-2.4B
NO	REVISION	BY & DATE	CHK	ANG ±1/2°	PREV		PAGE OF
THIRD ANGLE PROJECTION			RFP		SIZE	DRAWING NO	REV
			NETWORK FILE NAME 00500501		A	005005-01	--



CERTIFICATION DATA SHEET

1051 CHEYENNE AVE.
GRAFTON, WI 53024
PH. 262-377-8810

CONN. DIAGRAM: 005005.01

CATALOG #: 110009.00

OUTLINE: 028797-700A

MOUNTING: F1 ONLY

WINDING #: C63637 3 B

TYPICAL MOTOR PERFORMANCE DATA

HP	kW	SYNC. RPM	F.L. RPM	FRAME	ENCLOSURE	KVA CODE	DESIGN
1/3	0.25	1200	1140	56	TEFC	M	N

PH	Hz	VOLTS	AMPS	START TYPE	DUTY	INSL	S.F.	AMB°C
1	60	115/208-230	7.8/3.6-3.9	ACROSS THE LINE	CONTINUOUS	B4	1.0	40

FULL LOAD EFF:	57.7	3/4 LOAD EFF:	54.3	1/2 LOAD EFF:	46.1	GTD. EFF		ELEC. TYPE	
FULL LOAD PF:	50	3/4 LOAD PF:	41.4	1/2 LOAD PF:	33.8	50.5		CAP START IND RUN	

F.L. TORQUE	LOCKED ROTOR AMPS	L.R. TORQUE	B.D. TORQUE	F.L. RISE°C
24 OZ-FT	32 / 16	88 OZ-FT 367 %	60 OZ-FT 250 %	56

SOUND PRESSURE @ 3 FT.	SOUND POWER	ROTOR WK^2	MAX. WK^2	SAFE STALL TIME	STARTS / HOUR	APPROX. MOTOR WGT
55 dBA	65 dBA	0 LB-FT^2	0.1 LB-FT^2	0 SEC.	0	31 LBS.

*** SUPPLEMENTAL INFORMATION ***

DE BRACKET TYPE	ODE BRACKET TYPE	MOUNT TYPE	ORIENTATION	SEVERE DUTY	HAZARDOUS LOCATION	DRIP COVER	SCREENS	PAINT
STANDARD	STANDARD	RIGID	HORIZONTAL	FALSE	NONE	FALSE	NONE	BLUE - LEESON (ENAMEL)

BEARINGS		GREASE	SHAFT TYPE	SPECIAL DE	SPECIAL ODE	SHAFT MATERIAL	FRAME MATERIAL
DE	ODE						
BALL	BALL	POLYREX EM	STANDARD 56	NONE	NONE	1144 STRESSPROOF (C-223)	ROLLED STEEL
6203	6203						

THERMO-PROTECTORS				THERMISTORS	CONTROL	SPACE HEATERS
THERMOSTATS	PROTECTORS	WDG RTDs	BRG RTDs			
NONE	NOT	NONE	NONE	NONE	FALSE	NONE VOLTS

*
N
O
T
E
S

INVERTER TORQUE: NONE
INV. HP SPEED RANGE: NONE
ENCODER: NONE
NONE NONE
NONE NONE PPR
BRAKE: NONE NONE
NONE P/N NONE
NONE NONE
NONE FT-LB NONE V NONE Hz



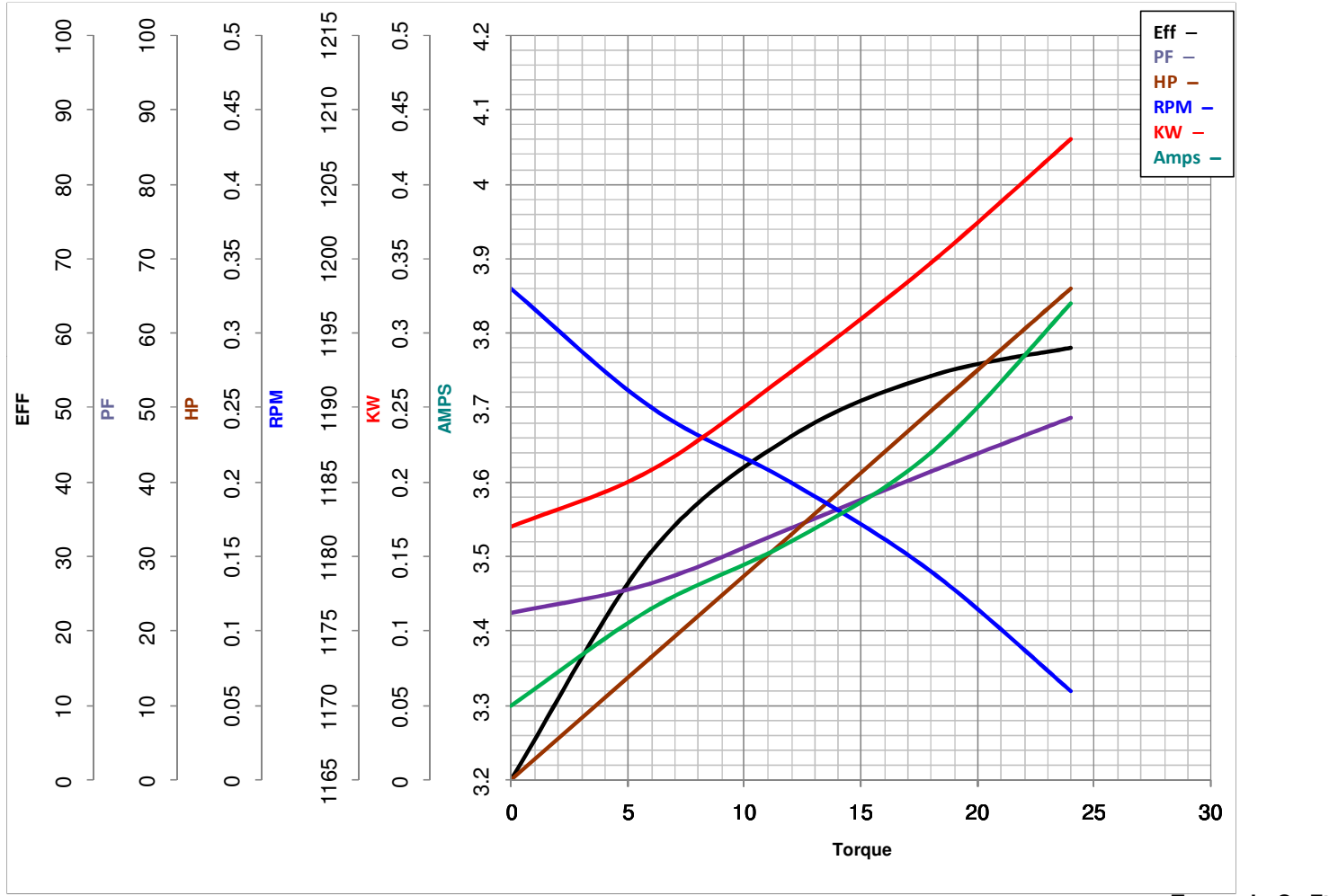
LEESON ELECTRIC CORPORATION
TYPICAL PERFORMANCE CURVE for AC MOTOR

Model No 110009.00

Catalog No 110009.00

Curve at 230 Volts HP 0.33 PHASE 1
60 HZ
0.33 HP VOLTS 115/208-230

HZ 60 RPM 1140



FL TORQUE	<u>24</u>	Oz.Ft	FL AMPS	<u>7.8/3.9</u>	
BD TORQUE	<u>60.0</u>	Oz.Ft	PU TORQUE	<u>48.0</u>	Oz.Ft
LR TORQUE	<u>88</u>	Oz.Ft	LR AMPS	<u>16</u>	
WINDING	C63637-3		Date	4/11/2018	