

PRODUCT INFORMATION PACKET



Model No: C4T28FC1B

Catalog No: 102691.00

..1/2HP..2850RPM.S56C.IP54.220/380V.3PH.50HZ.CONT.40C.1.15SF.C FACE.C4T28FC1B.....50
HERTZ.NOT.....37kW...

50 Hz



Regal and Leeson are trademarks of Regal Beloit Corporation or one of its affiliated companies.

©2018 Regal Beloit Corporation, All Rights Reserved. MC017097E



Product Information Packet: Model No: C4T28FC1B, Catalog No:102691.00
 ..1/2HP..2850RPM.S56C.IP54.220/380V.3PH.50HZ.CONT.40C.1.15SF.C FACE.C4T28FC1B.....50
 HERTZ.NOT.....37kW...



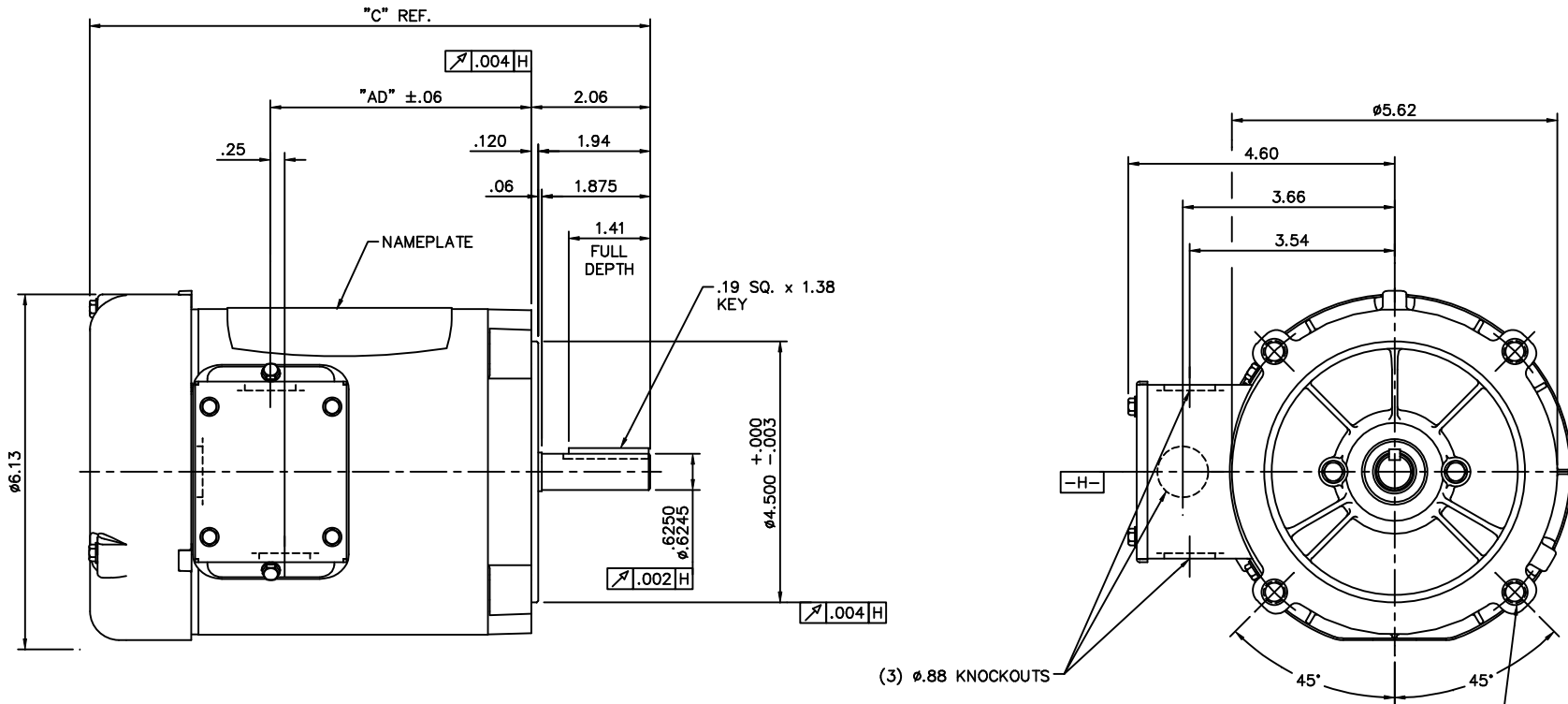
Nameplate Specifications

Output HP	0.50 Hp	Output KW	0.37 kW
Frequency	50 Hz	Voltage	220/380/440 V
Current	1.8/1.0/0.90 A	Speed	2850 rpm
Service Factor	1.15	Phase	3
Efficiency	77.3 %	Duty	Continuous
Insulation Class	B	Design Code	NO DESIGN CODE
KVA Code	M	Frame	S56C
Enclosure	Totally Enclosed Fan Cooled	Overload Protector	No
Ambient Temperature	40 °C	Drive End Bearing Size	6203
Opp Drive End Bearing Size	6203	UL	Recognized
CSA	Y	CE	Y
IP Code	54		

Technical Specifications

Electrical Type	Squirrel Cage Induction Run	Starting Method	Across The Line
Poles	2	Rotation	Reversible
Mounting	Round	Motor Orientation	HORIZONTAL
Drive End Bearing	BALL	Opp Drive End Bearing	BALL
Frame Material	Rolled Steel	Shaft Type	NEMA 56
Overall Length	9.69 in	Frame Length	5.00 in
Shaft Diameter	0.625 in	Shaft Extension	1.88 in
Assembly/Box Mounting	F1 ONLY		
Outline Drawing	031811-500	Connection Diagram	005381.01

This is an uncontrolled document once printed or downloaded and is subject to change without notice. Date Created: 10/15/2018



(3) $\phi .88$ KNOCKOUTS

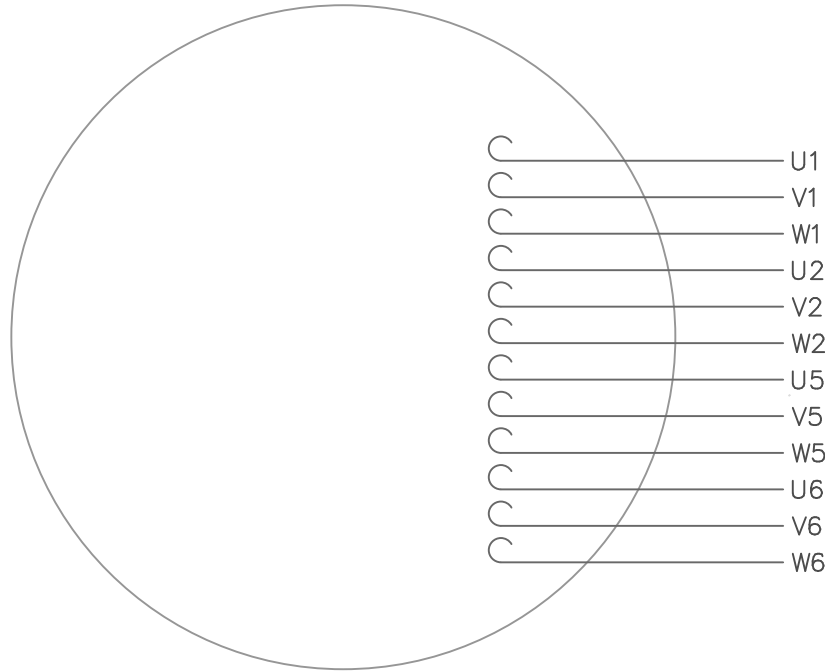
3/8-16 UNC 2B TAP x .56 DEEP
(4) REQ'D. ON A $\phi 5.875$ B.C.

DASH NO.	"C"	"AD"
450	9.19	4.00
475	9.44	4.25
500	9.69	4.50
525	9.94	4.75
550	10.19	5.00
575	10.44	5.25
600	10.69	5.50
625	10.94	5.75
650	11.19	6.00
675	11.44	6.25

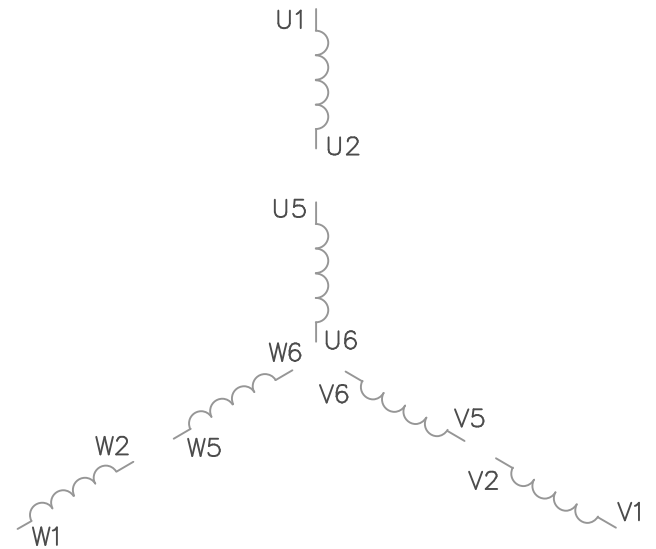
GASKETS THROUGHOUT

NO.		REVISION		BY & DATE		TOLERANCES UNLESS SPECIFIED			ELECTRIC MOTORS GEARMOTORS AND DRIVES	DRAWN PG 02/24/05	
CHK	ANG	ANG	±1/2"	FINISH	STANDARD	PREV	CHK			APPD	PG 02/25/05
.X	±.1	.XX	±.03	TITLE	OUTLINE - S56C FRAME	SCALE	1=2				
.XXX	±.005	.XXX	±.005	MAT'L	"C" FACE MOUNT - TEFC	REF	031637				
.XXXX	±.0005				3 PHASE	FMF	102691.00				
RFP				CAD FILE	031811	SIZE	DRAWING NO.				
DIST						B	031811				
THIS DRAWING IN DESIGN AND DETAIL IS OUR PROPERTY AND MUST NOT BE USED EXCEPT IN CONNECTION WITH OUR WORK ALL RIGHTS OF DESIGN AND INVENTION ARE RESERVED THIS IS AN ELECTRONICALLY GENERATED DOCUMENT - DO NOT SCALE THIS PRINT											

VIEW FROM OUTSIDE OF MOTOR AT SWITCH END.



LINE LEADS



VOLTAGE	L1	L2	L3	JOIN
(2Δ) LOW	U1,W2 U5,W6	V1,U2 V5,U6	W1,V2 W5,V6	----
(2Y) MEDIUM	U1,U5	V1,V5	W1,W5	(U2,V2,W2) (U6,V6,W6)
(1Δ) HIGH	U1,W6	V1,U6	W1,V6	(U2,U5) (V2,V5) (W2,W5)

TOLERANCES UNLESS OTHERWISE SPECIFIED

DECIMALS

.00 ± .01

.000 ± .005

.0000 ± .0005

FRACTIONS ± 1/64

ANGLES ± 1/2°

INCH/MM

LEESON ELECTRIC CORPORATION

DRAWN GWS 2/23/96

CH'K'D.

APPR.

SCALE 1=1

REF. 005352 PG 3

FMF

TITLE

MAT'L.

FINISH

EXT. WIRING DIAGRAM

TYPE "T" W/O PROTECTOR

DECAL - 080590

SIZE

A

DRAWING NO.

005381-01

STOCK

1 REDRAWN TO CURRENT STANDARDS

NO. REVISION

DBT

BY

05/30/97

DATE

THIS DRAWING IN DESIGN AND DETAIL IS OUR PROPERTY AND MUST NOT BE USED EXCEPT IN CONNECTION WITH OUR WORK ALL RIGHTS OF DESIGN AND INVENTION ARE RESERVED

