

PRODUCT INFORMATION PACKET



Model No: 056T17F15930

Catalog No: K570

Miscellaneous, TEFC, 0.75 HP, 3 Ph, 60 Hz, 575 V, 1725 RPM, 56C

Regal and LEESON are trademarks of Regal Rexnord Corporation or one of its affiliated companies.
©2025 Regal Rexnord Corporation, All Rights Reserved. MC017097E





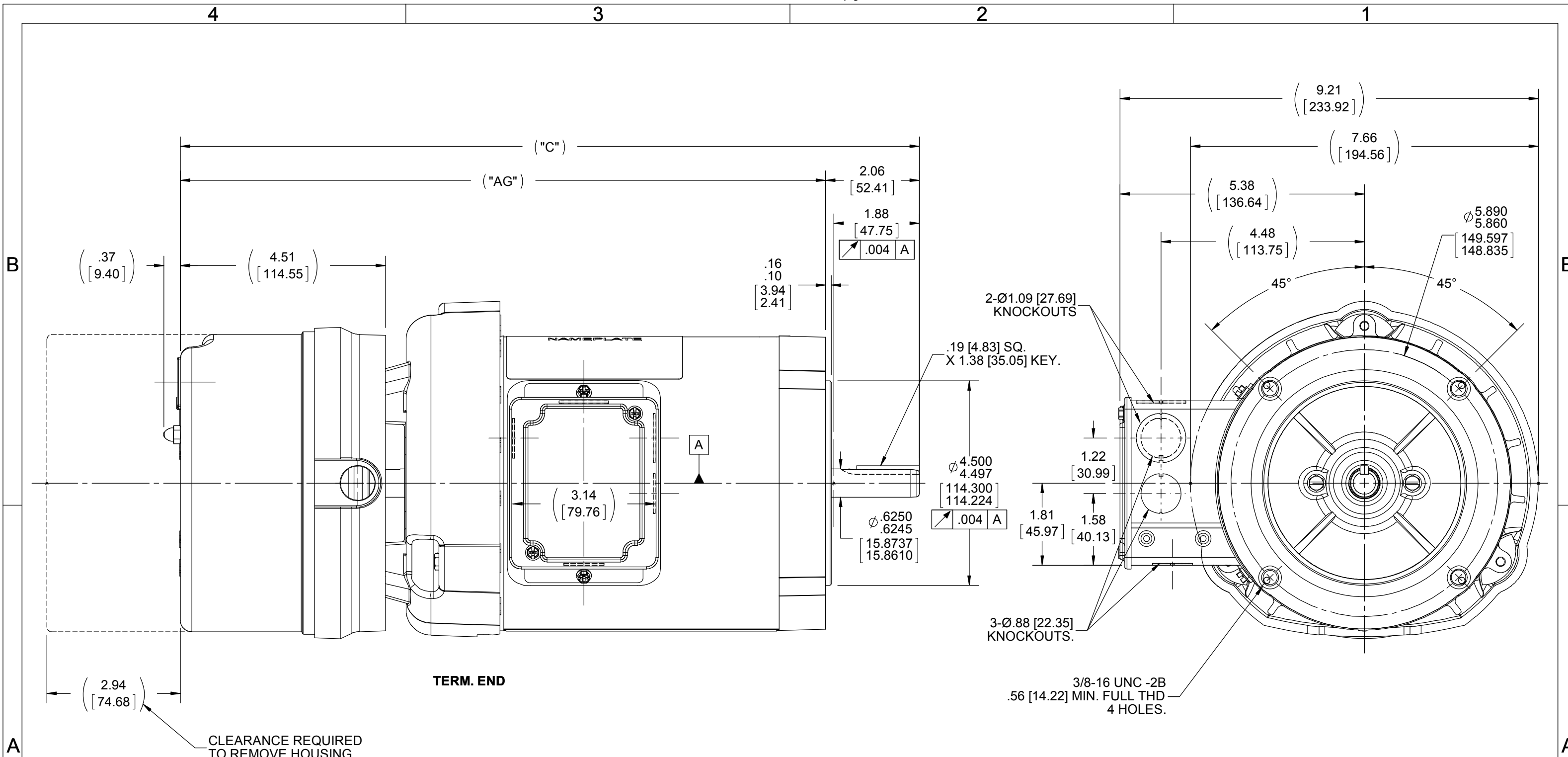
Nameplate Specifications

Phase	3	Output HP	0.75 Hp
Output KW	0.56 kW	Voltage	575 V
Speed	1725 rpm	Service Factor	1.15
Frame	56C	Enclosure	Totally Enclosed Fan Cooled
Thermal Protection	No Protection	Efficiency	75.5 %
Ambient Temperature	40 °C	Frequency	60 Hz
Current	1.2 A	Power Factor	66.3
Duty	Continuous	Insulation Class	B
Design Code	B	KVA Code	L
Drive End Bearing Size	6203	Opp Drive End Bearing Size	6203
UL	Recognized	CSA	Y
CE	Y	IP Code	43
Number of Speeds	1		

Technical Specifications

Electrical Type	Squirrel Cage Induction Run	Starting Method	Across The Line
Poles	4	Rotation	Reversible
Resistance Main	23.2 Ohms	Mounting	Round
Motor Orientation	Horizontal	Drive End Bearing	Ball
Opp Drive End Bearing	Ball	Frame Material	Rolled Steel
Shaft Type	NEMA 56	Assembly/Box Mounting	F1 ONLY
Outline Drawing	607-0316-002	Connection Drawing	EE7300

This is an uncontrolled document once printed or downloaded and is subject to change without notice. Date Created:07/28/2025



A

A

B

B

A

A

B

B

A

A

B

B

A

A

B

B

A

A

B

B

A

A

B

B

A

A

B

B

A

A

B

B

A

A

B

B

A

A

B

B

A

A

B

B

A

A

B

B

A

A

B

B

A

A

B

B

A

A

B

B

A

A

B

B

A

A

B

B

A

A

B

B

A

A

B

B

A

A

B

B

A

A

B

B

A

A

B

B

A

A

B

B

A

A

B

B

A

A

B

B

A

A

B

B

A

A

B

B

A

A

B

B

A

A

B

B

A

A

B

B

A

A

B

B

A

A

B

B

A

A

B

B

A

A

B

B

A

A

B

B

A

A

B

B

A

A

B

B

A

A

B

B

A

A

B

B

A

A

B

B

A

A

B

B

A

A

B

B

A

A

B

B

A

A

B

B

A

A

B

B

A

A

B

B

A

A

B

B

A

A

B

B

A

A

B

B

A

A

B

B

A

A

B

B

A

A

B

B

A

A

B

B

A

A

B

B

A

A

B

B

A

A

B

B

A

A

B

B

A

A

B

B

A

A

B

B

A

A

B

B

A

A

B

B

A

A

B

B

A

A

B

B

A

A

B

B

A

A

B

B

A

A

B

B

A

A

B

B

A

A

B

B

A

A

B

B

A

A

B

B

A

A

B

B

A

A

B

B

A

A

B

B

A

A

B

B

A

A

B

B

A

A

B

B

A

A

B

B

A

A

B

B

A

A

B

B

A

A

B

B

A

A

B

B

A

A

B

B

A

A

B

B

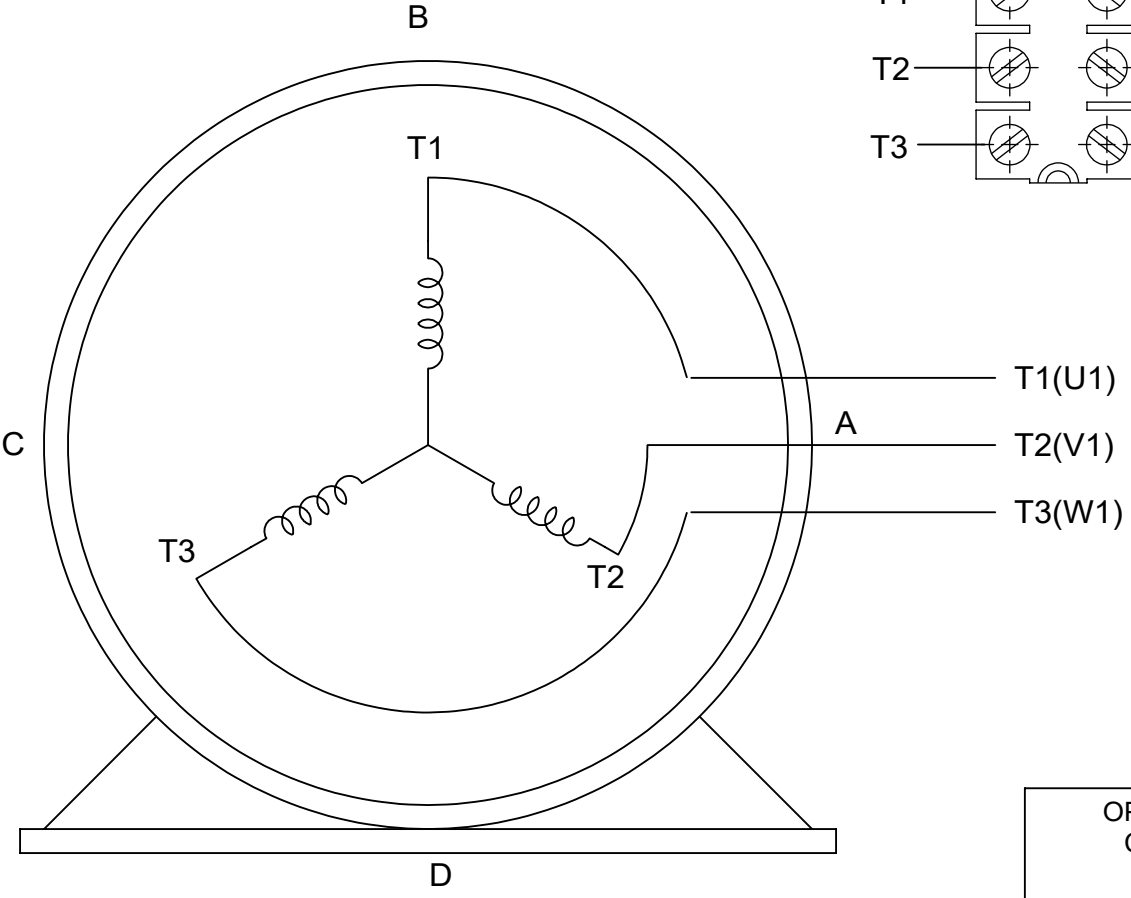
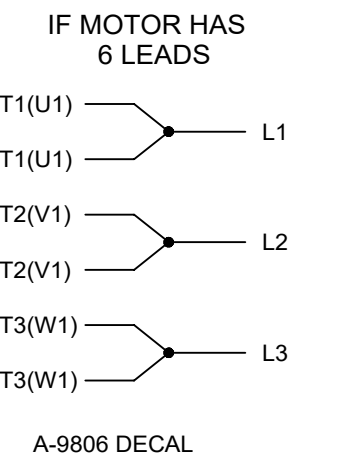
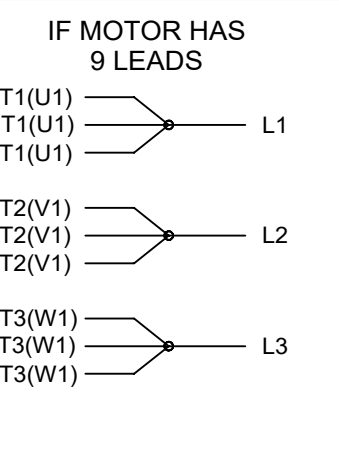
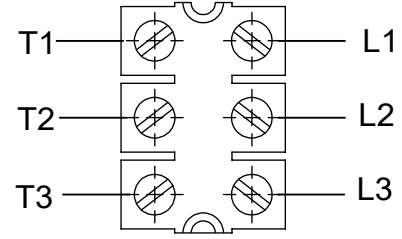
A

A

THREE PHASE - SINGLE VOLTAGE
MOTOR - CONDUIT BOX @ 'A'

TERMINAL BLOCK WHEN SPECIFIED

TO REVERSE ROTATION:
INTERCHANGE ANY TWO LINE
LEAD CONNECTIONS



OPTIONAL CORD CONNECTION

L1	WHITE
L2	RED
L3	BLACK

DRAWING REVISION AC	REVISION BY BS	REV DATE/© DATE 26/07/2022
REQUEST NUMBER CR-0010402	APPROVED BY SN	DATE 26/07/2022
REQUEST NUMBER DESCRIPTION DRAWING UPDATED		
<small>COPYRIGHT (PER REVISION DATE) REGAL BELOIT AMERICA, INC. ALL RIGHTS RESERVED. PROPRIETARY AND CONFIDENTIAL INFORMATION - THIS DOCUMENT IS THE PROPERTY OF REGAL BELOIT AMERICA, INC. ("OWNER") AND CONTAINS OWNER'S PROPRIETARY INFORMATION. ANY PERSON, CORPORATION OR OTHER FIRM RECEIVING IT IS DEEMED, BY RECEIVING IT, TO AGREE THAT IT, AND/OR ANY PART OF IT, SHALL NOT BE DISCLOSED TO ANY PERSON, CORPORATION OR OTHER ENTITY, DUPLICATED, AND/OR USED, EXCEPT AS EXPRESSLY APPROVED IN WRITING IN ADVANCE BY OWNER. THIS DOCUMENT SHALL BE RETURNED TO OWNER UPON REQUEST. IT MAY BE SUBJECT TO CERTAIN RESTRICTIONS UNDER APPLICABLE EXPORT CONTROL LAWS AND REGULATIONS.</small>		

PRIMARY DIMENSIONS ARE INCH
mm DIMENSIONS IN [BRACKETS]
ARE FOR REFERENCE ONLY

DRAWN BY DA
DATE 03-26-1993
APPROVED BY TB
DATE 03-26-1993
REFERENCE
THIRD ANGLE PROJECTION

Regal Rexnord		Regal Beloit America, Inc.	
DESCRIPTION CONNECTION DIAGRAM EXTERNAL - SINGLE VOLTAGE - 3Ø MOTOR			
MATERIAL		PROCESS/FINISH	
SIZE A	DRAWING NUMBER EE7300		SHEET 1 OF 1

EC Declaration of Conformity

The undersigned representing
the manufacturer:

Regal Beloit America
1946 West Cook Road
Fort Wayne, IN 46818

and the authorized representative
established within the Community:

Regal Beloit Italy
Via Modena, 18
24040 Ciserano(BG) - Italy

are committed to providing customers with products that comply with applicable regulations and international protocols to which they are subject, including the requirements of the European Parliament Directive on the Harmonization of the laws relating to electrical equipment designed for use within certain voltage limits (2014/35/EU).

Regal Beloit America declares that the following product(s), to which this declaration relates, are in conformity with the relevant sections of the EC standards listed below.

This statement supersedes any statements previously issued pertaining to the product(s) listed below and is subject to change without notice.

Model No : 056T17F15930

(Model No. may contain prefix and/or suffix characters)

Catalog No : K570

Rework No : N/A

Directives :

Low Voltage Directive 2014/35/EU

Harmonized Standards Used :

EN 60034-1: 2010 (IEC 60034-1: 2010)

EN 60034-5: 2001/A1:2007 (IEC 60034-5: 2000/A1:2006)

Authorized Representative:



Zach Stauffer
Vice President, Engineering

Authorized Representative in the Community:



Stefano Casiraghi
Technology Director, Engineering

Created on 07/08/2025

CE 25