

PRODUCT INFORMATION PACKET



Model No: 056T17DRR70015A1

Catalog No: K067A

General Purpose Motor, 1 & 0.75 HP, 3 Ph, 60 & 50 Hz, 208-230/460 & 190/380 V, 1800 & 1500 RPM,
56HZ Frame, DP

Regal and LEESON are trademarks of Regal Rexnord Corporation or one of its affiliated companies.
©2025 Regal Rexnord Corporation, All Rights Reserved. MC017097E





Nameplate Specifications

Phase	3	Output HP	1 & 0.75 Hp
Output KW	0.75 & 0.56 kW	Voltage	208-230/460 & 190/380 V
Speed	1725 & 1425 rpm	Service Factor	1.15 & 1.15
Frame	56HZ	Enclosure	Drip Proof
Thermal Protection	Automatic	Efficiency	83.5 & 85.5 %
Ambient Temperature	40 °C	Frequency	60 & 50 Hz
Current	3.2-3/1.5 & 2.9/1.45 A	Power Factor	71
Duty	Continuous	Insulation Class	B
Design Code	B	KVA Code	N
Drive End Bearing Size	6205	Opp Drive End Bearing Size	6203
UL	Recognized	CSA	Y
CE	Y	IP Code	22
Number of Speeds	1		

Technical Specifications

Electrical Type	Squirrel Cage Induction Run	Starting Method	Across The Line
Poles	4	Rotation	Reversible
Resistance Main	13.6 Ohms	Mounting	Rigid Base
Motor Orientation	Horizontal	Drive End Bearing	Ball
Opp Drive End Bearing	Ball	Frame Material	Rolled Steel
Shaft Type	Single Special Extension	Assembly/Box Mounting	F1 ONLY
Connection Drawing	CDTD102	Outline Drawing	OL56100168-001

This is an uncontrolled document once printed or downloaded and is subject to change without notice. Date Created:04/16/2025

4

3

2

1

D

D

C

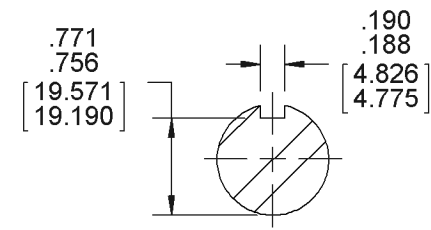
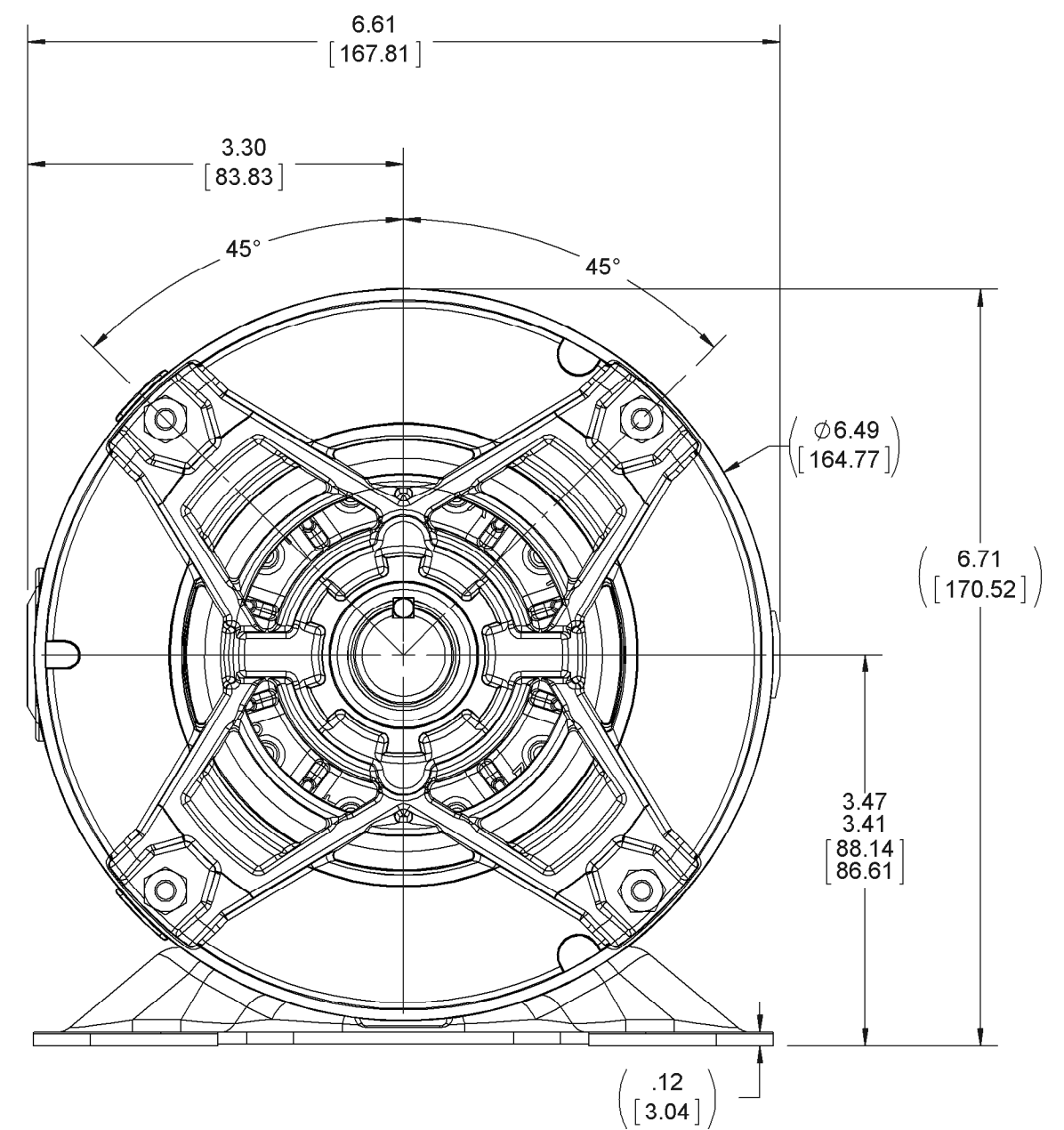
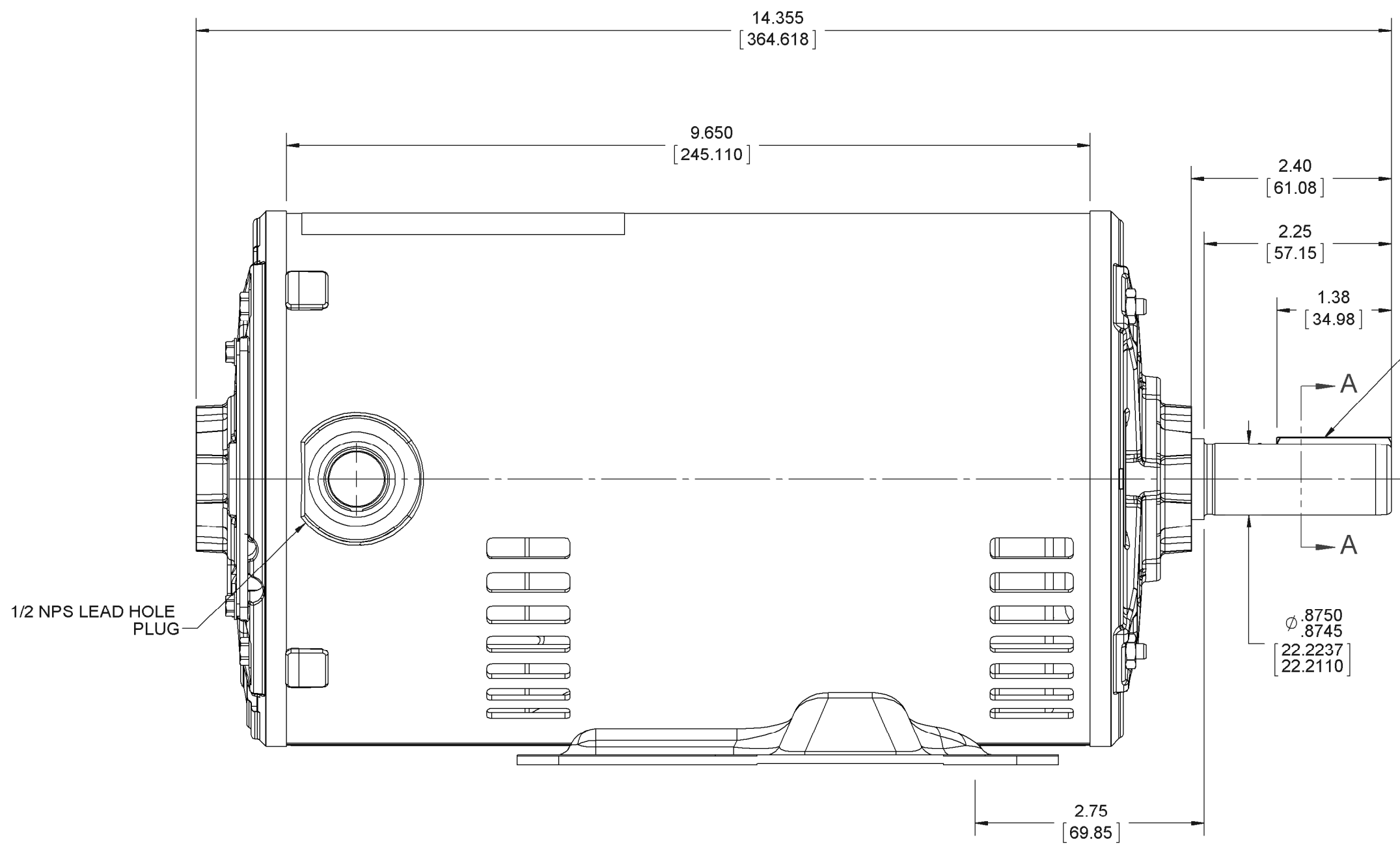
C

B

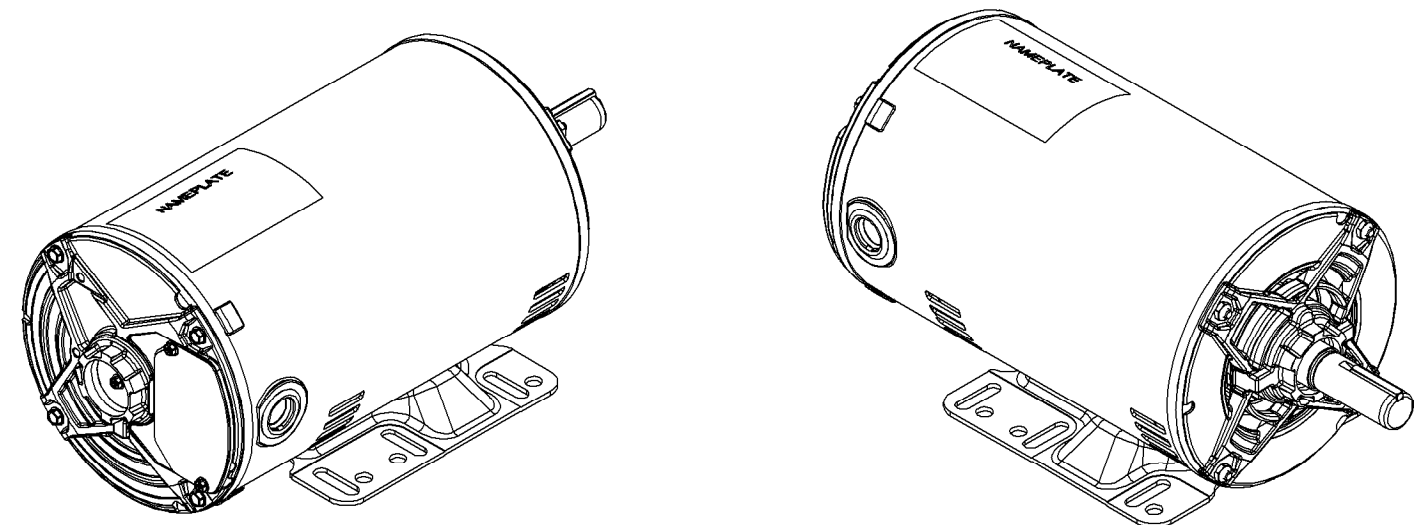
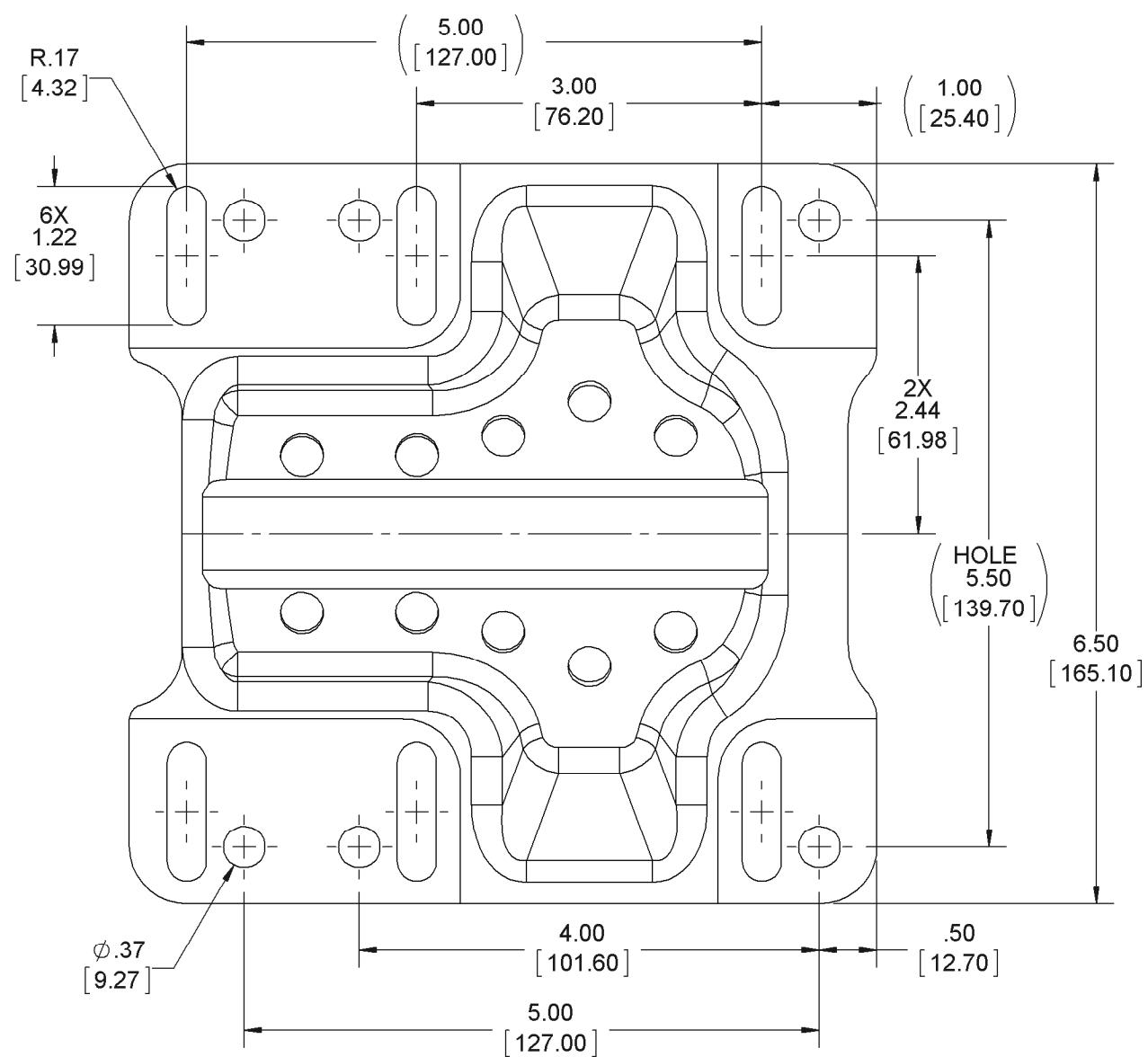
B

A

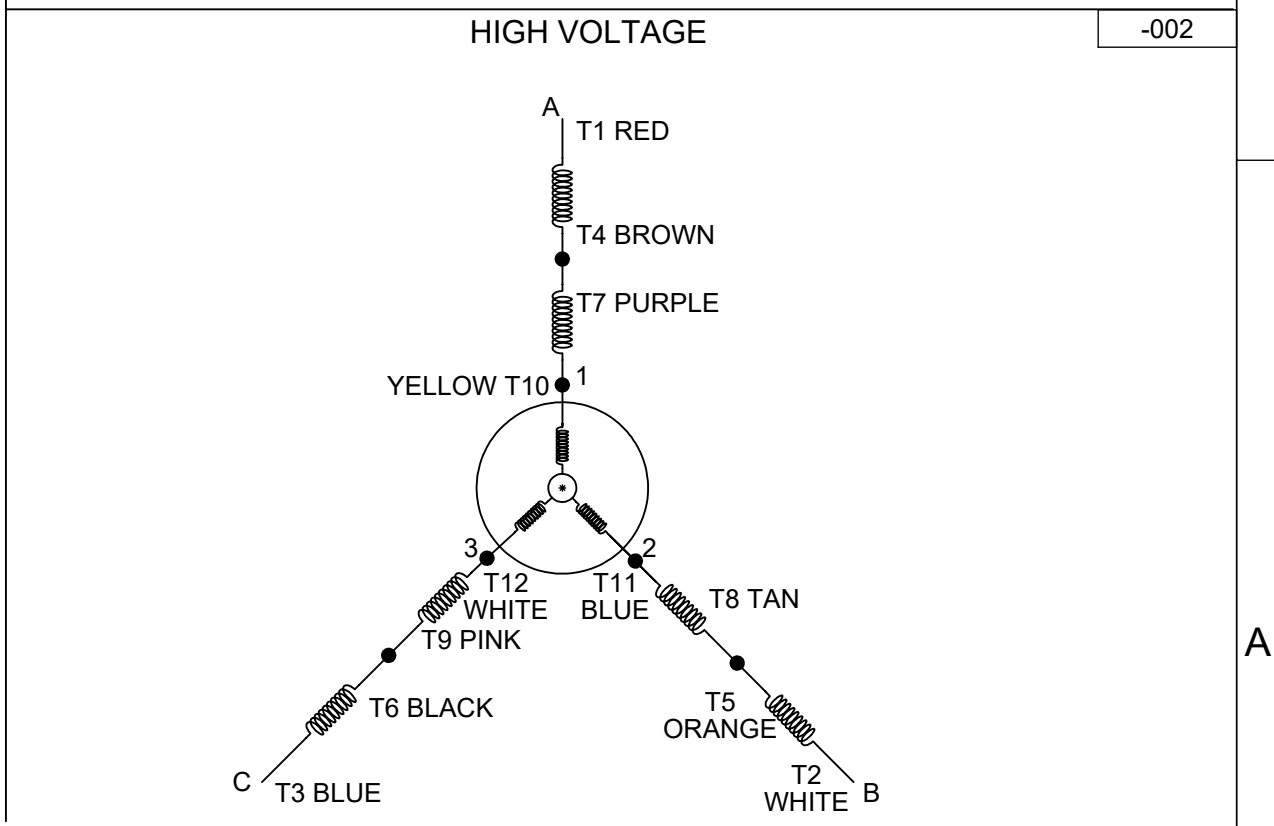
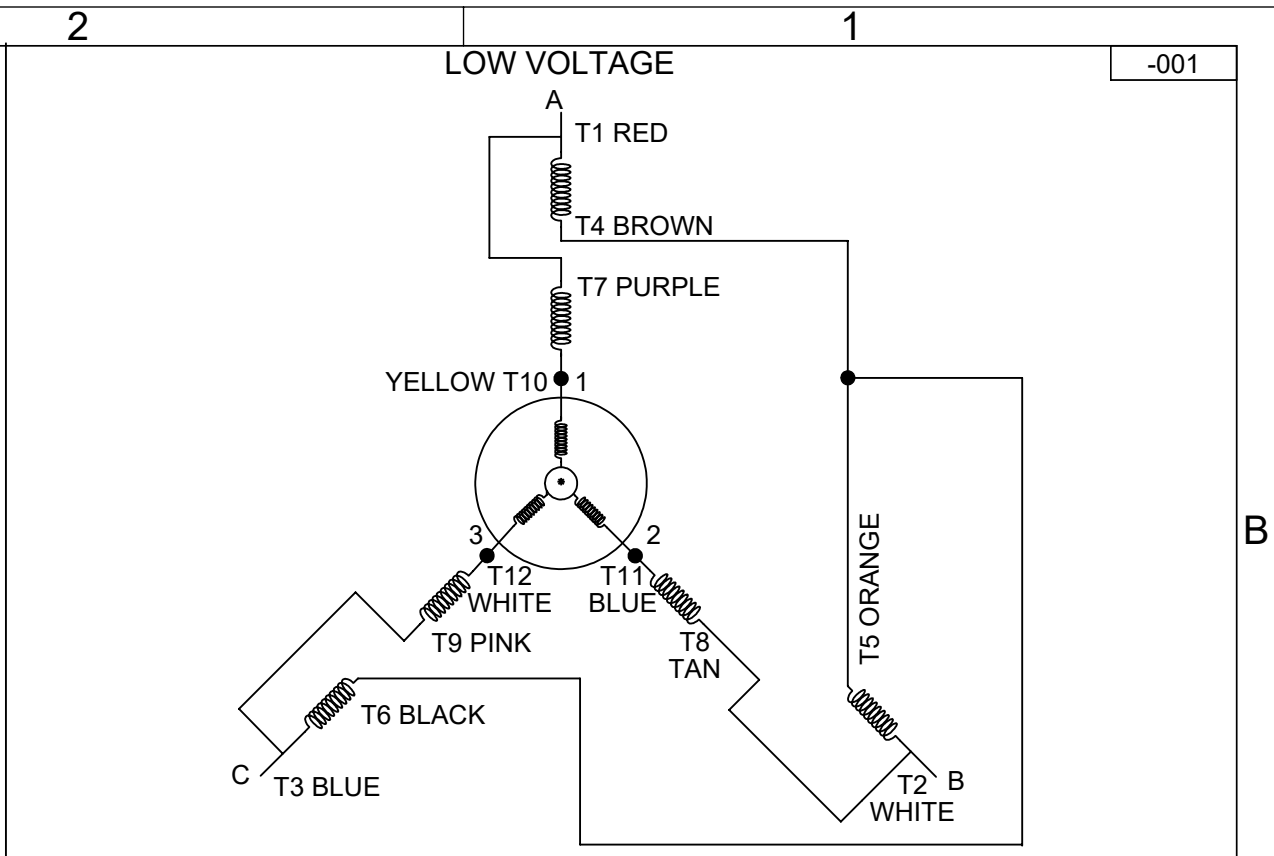
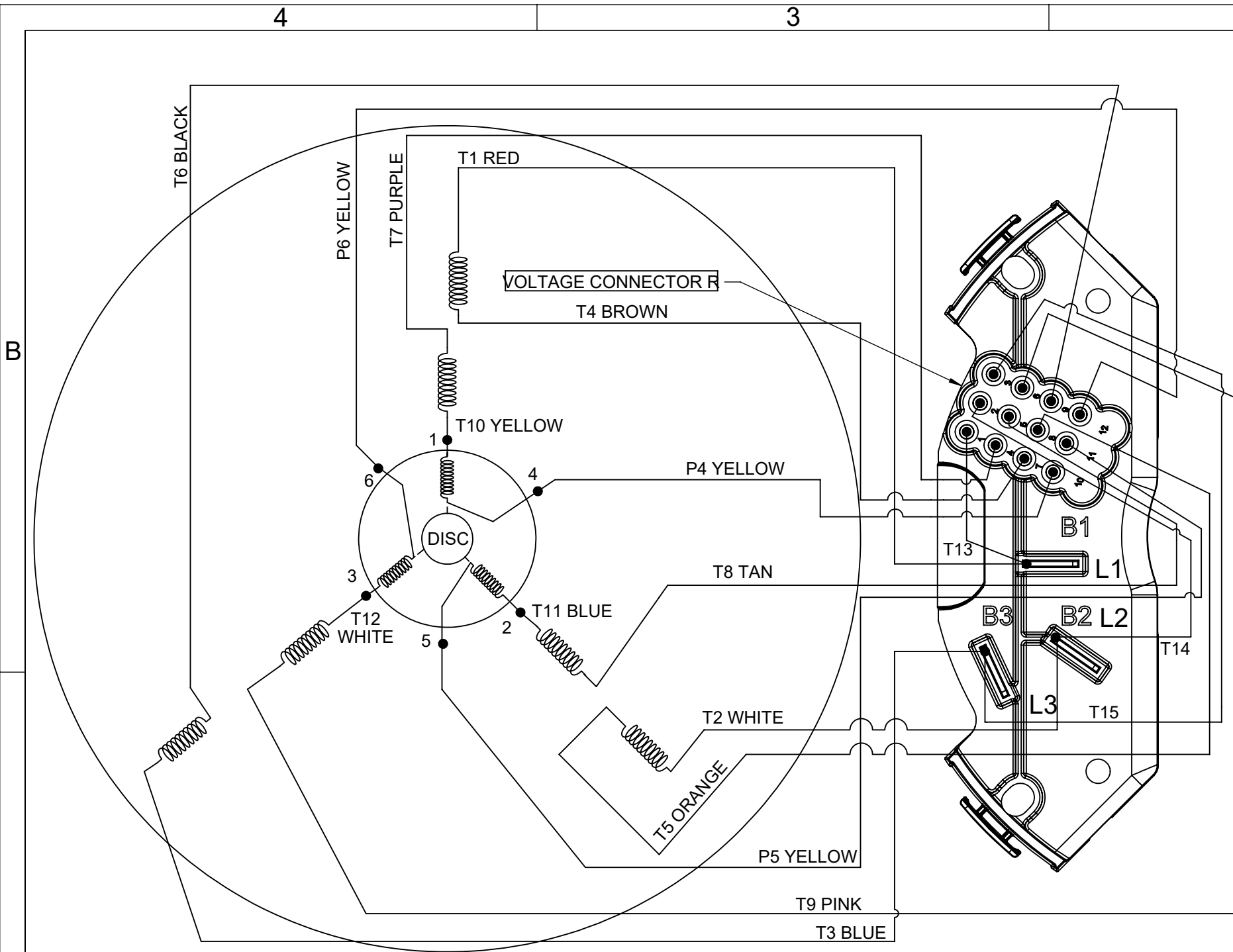
A



SECTION A-A



DRAWING REVISION A	REVISION BY APPROVED BY	DATE	TOLERANCES UNLESS OTHERWISE SPECIFIED: DEC. INCH mm ANGLE X ±0.1 [±2.5] XX ±0.02 [±0.51] XXX ±0.005 [±0.127] XXXX ±0.0005 [±0.0127] REMOVE BURRS & BREAK SHARP EDGES: .003/.015 [0.076/.381] X 45° CORNER FILLETS: R.02 [51] MACHINED SURFACES: 125 √ mm 3.2 INCH √ mm mm SHOWN IN [BRACKETS]	DRAWN BY M.AVILA	DATE 10-13-2016	DESCRIPTION REGAL ™ Regal Beloit America, Inc. OUTLINE 56-140FR,DP,RIGID SPL
ECO-0110920	ECO DESCRIPTION NEW MODEL RELEASE	DATE	APPROVED BY	DATE	REFERENCE	MATERIAL PROCESS/FINISH
<small>COPYRIGHT REGAL BELOIT AMERICA, INC. ALL RIGHTS RESERVED. PROPRIETARY AND CONFIDENTIAL INFORMATION - THIS DOCUMENT IS THE PROPERTY OF REGAL BELOIT AMERICA, INC. (OWNER) AND CONTAINS OWNER'S PROPRIETARY INFORMATION. ANY PERSON, CORPORATION OR OTHER FIRM RECEIVING IT IS DEEMED, BY RECEIVING IT, TO AGREE THAT IT, AND/OR ANY PART OF IT, SHALL NOT BE DISCLOSED TO ANY PERSON, CORPORATION OR OTHER ENTITY, DUPLICATED, AND/OR USED, EXCEPT AS EXPRESSLY APPROVED IN WRITING IN ADVANCE BY OWNER. THIS DOCUMENT SHALL BE RETURNED TO OWNER UPON REQUEST. IT MAY BE SUBJECT TO CERTAIN RESTRICTIONS UNDER APPLICABLE EXPORT CONTROL LAWS AND REGULATIONS.</small>			THIRD ANGLE PROJECTION	SIZE C	DRAWING NUMBER OL56100168-001	SHEET 1 OF 1



- NOTES:**
1. TO REVERSE ROTATION, INTERCHANGE ANY TWO LINE CONNECTIONS TO L1, L2, OR L3.
 2. REF. TERMINAL BOARD 10003352-001-001.
 3. CONNECTION-DIAGRAM NAMEPLATE DD10027-001-CCWLE DD10207-001-CWLE

DRAWING REVISION C	REVISION BY SY	REV DATE/© DATE 02/14/2025	TOLERANCES (EXCEPT AS NOTED): DEC. INCH mm ANGLE .X ±0.1 [±.3] ±0.5° .XX ±0.01 [±.03] .XXX ±0.005 [±0.13] .XXXX ±0.0005 [±0.013]	DRAWN BY G. RODRIGUEZ	Regal Beloit America, Inc.
REQUEST NUMBER ECR-0240677	APPROVED BY MA	DATE 02/14/2025		DATE 07-12-2016	
REQUEST NUMBER DESCRIPTION UPDATED TERMINAL BOARD TO 0003352-001-001.			REMOVE BURRS & BREAK SHARP EDGES: .003/.015 [.08/.38] X 45° CORNER FILLETS: R.02 [.5] MACHINED SURFACES: 125/3.2 INCH/mm	APPROVED BY R. VALENZUELA	DESCRIPTION TERMINAL BOARD
COPYRIGHT (PER REVISION DATE) REGAL BELOIT AMERICA, INC. ALL RIGHTS RESERVED. PROPRIETARY AND CONFIDENTIAL INFORMATION - THIS DOCUMENT IS THE PROPERTY OF REGAL BELOIT AMERICA, INC. ("OWNER") AND CONTAINS OWNER'S PROPRIETARY INFORMATION. ANY PERSON, CORPORATION OR OTHER FIRM RECEIVING IT IS DEEMED, BY RECEIVING IT, TO AGREE THAT IT, AND/OR ANY PART OF IT, SHALL NOT BE DISCLOSED TO ANY PERSON, CORPORATION OR OTHER ENTITY, DUPLICATED, AND/OR USED, EXCEPT AS EXPRESSLY APPROVED IN WRITING IN ADVANCE BY OWNER. THIS DOCUMENT SHALL BE RETURNED TO OWNER UPON REQUEST. IT MAY BE SUBJECT TO CERTAIN RESTRICTIONS UNDER APPLICABLE EXPORT CONTROL LAWS AND REGULATIONS.			THIRD ANGLE PROJECTION	REFERENCE 52A110547	MATERIAL
			mm DIMENSIONS IN [BRACKETS] ARE FOR REFERENCE ONLY	DATE 07-12-2016	PROCESS/FINISH
				SIZE B	DRAWING NUMBER CDTD102
					SHEET 1 OF 1

EC Declaration of Conformity

The undersigned representing
the manufacturer:

Regal Beloit America
100 East Randolph St.
Wausau, WI 54401

and the authorized representative
established within the Community:

Marathon Electric UK
6F Thistleton Road Ind. Estate
Market Overton
Oakham, Rutland LE15 7PP UK

are committed to providing customers with products that comply with applicable regulations and international protocols to which they are subject, including the requirements of the European Parliament Directive on the Harmonization of the laws relating to electrical equipment designed for use within certain voltage limits (2014/35/EU).

Regal Beloit America declares that the following product(s), to which this declaration relates, are in conformity with the relevant sections of the EC standards listed below.

This statement supersedes any statements previously issued pertaining to the product(s) listed below and is subject to change without notice.

Model No : 056T17DRR70015A1

(Model No. may contain prefix and/or suffix characters)

Catalog No : K067A

Rework No : N/A

Directives :

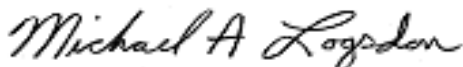
Low Voltage Directive 2014/35/EU

Harmonized Standards Used :

EN 60034-1: 2010 (IEC 60034-1: 2010)

EN 60034-5: 2001/A1:2007 (IEC 60034-5: 2000/A1:2006)

Authorized Representative:



Michael A. Logsdon
Vice President, Technology

Authorized Representative in the Community:



Julian Clark
Marketing Engineer

Created on 09/06/2022

CE 22