

PRODUCT INFORMATION PACKET



Model No: 048A17O2006

Catalog No: X012

Condenser Fan Motor, 0.25 HP, 1 Ph, 60 Hz, 208-230 V, 1800 RPM, 48Z Frame, OPAO



Regal and LEESON are trademarks of Regal Rexnord Corporation or one of its affiliated companies.
©2025 Regal Rexnord Corporation, All Rights Reserved. MC017097E



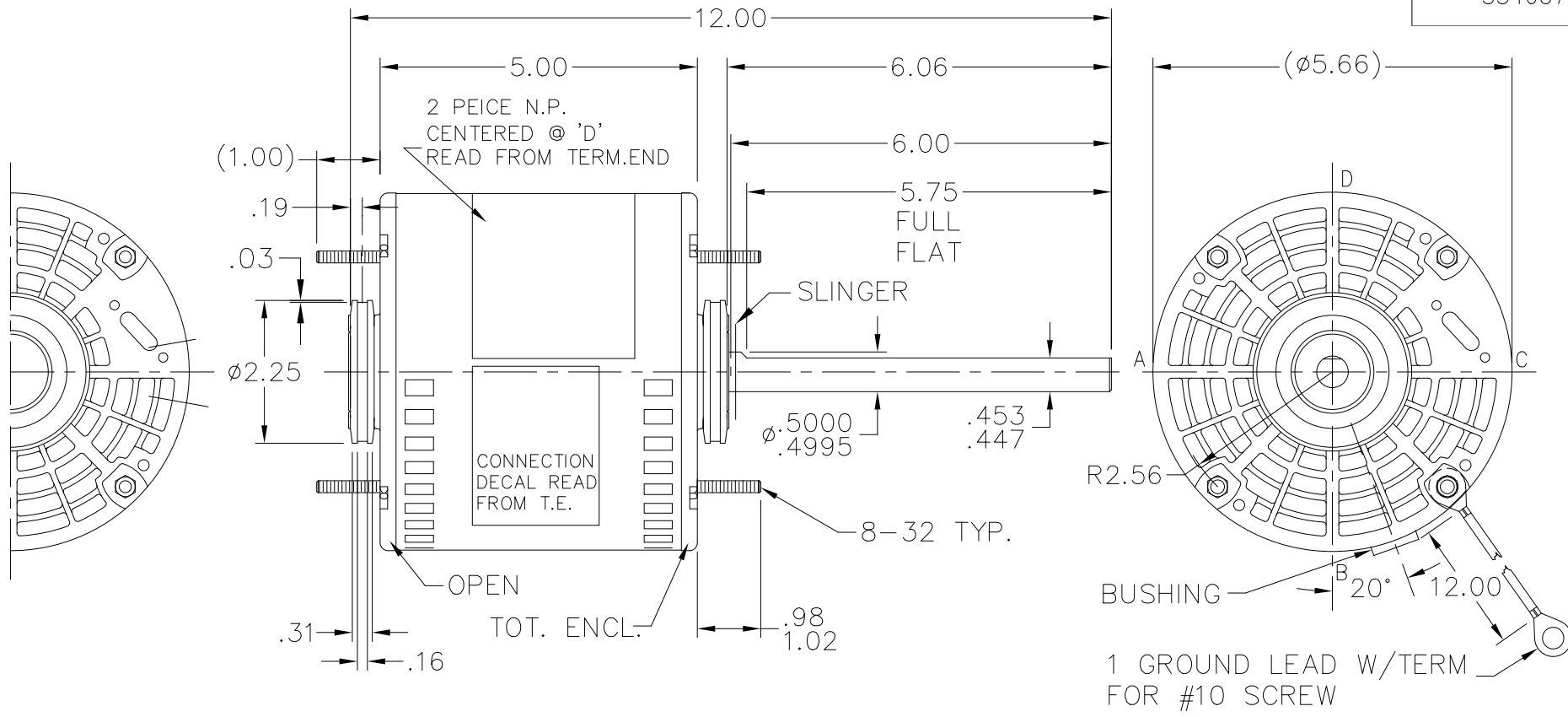


Nameplate Specifications

Phase	1	Output HP	0.25 Hp
Output KW	0.19 kW	Voltage	208-230 V
Speed	1625 rpm	Service Factor	1.0
Frame	48Z	Enclosure	Open Air Over
Thermal Protection	Automatic	Efficiency	70 %
Ambient Temperature	40 °C	Frequency	60 Hz
Current	1.9-1.8 A	Power Factor	98
Duty	Continuous	Insulation Class	B
Design Code	NO DESIGN CODE	KVA Code	C
Drive End Bearing Size	6203	Opp Drive End Bearing Size	6203
UL	Recognized	CSA	Y
CE	N	IP Code	10
Number of Speeds	1		

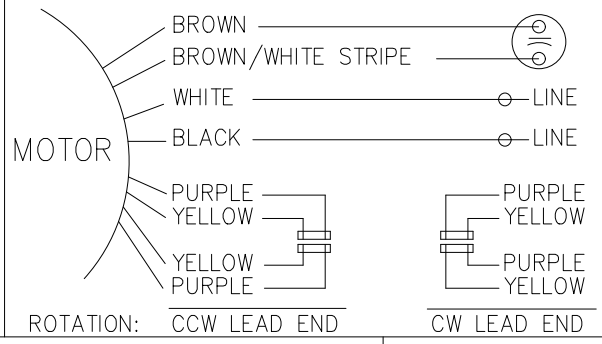
Technical Specifications

Electrical Type	Permanent Split Capacitor	Starting Method	Across The Line
Poles	4	Rotation	Selective Counterclockwise
Resistance Main	0 Ohms	Mounting	Resilient Ring - Extended Studs
Motor Orientation	Horizontal	Drive End Bearing	Ball
Opp Drive End Bearing	Ball	Frame Material	Rolled Steel
Shaft Type	Single Special Extension	Overall Length	12.00 in
Frame Length	4.00 in	Shaft Diameter	0.500 in
Shaft Extension	6.06 in	Assembly/Box Mounting	F1 ONLY
Outline Drawing	A-SS403733-400	Connection Drawing	6906496



TERM. END

LEADS DESCRIPTION:
 1 BLACK & 1 WHITE LEAD W/.50 BARE WIRE STRIP 30.00 LONG
 2 BROWN LEADS W/.25 FLAG-TYPE QUICK CONNECTS 30.00 LONG.
 WHITE MARKED LEAD IS COMMON TO WHITE.
 REVERSING LEADS ARE MOLDED INTO MATING PULL APART PLUGS. 1 YELLOW AND 1 PURPLE LEAD PER PLUG.
 4.00 - 6.00 LONG



DASH	FR.	C	A
4.00	48Y	12.00	4.50

NO.	REVISION	BY & DATE	CHK	TOLERANCES UNLESS SPECIFIED	
				DEC.	INCHES
				.X	±.1
				.XX	±.03
02	CHG FROM MARATHON TO RRX TEMPALTE PER ECR-0233451	MD 5/6/2024	DS	.XXX	±.005
01	"C" DIM. UPDATED	UD 12/10/13	ST	.XXXX	±.0005
				ANG	±7'30"

Regal Rexnord Regal Beloit America, Inc.

TITLE OUTLINE

MAT'L.

FINISH

CAD FILE ss403733

SIZE A

DRAWING NO. SS403733

PAGE OF

REV. 02

DRAWN GRB 06-20-2008

CHK SP 06-20-2008

APPD NB 06-20-2008

SCALE 3=8

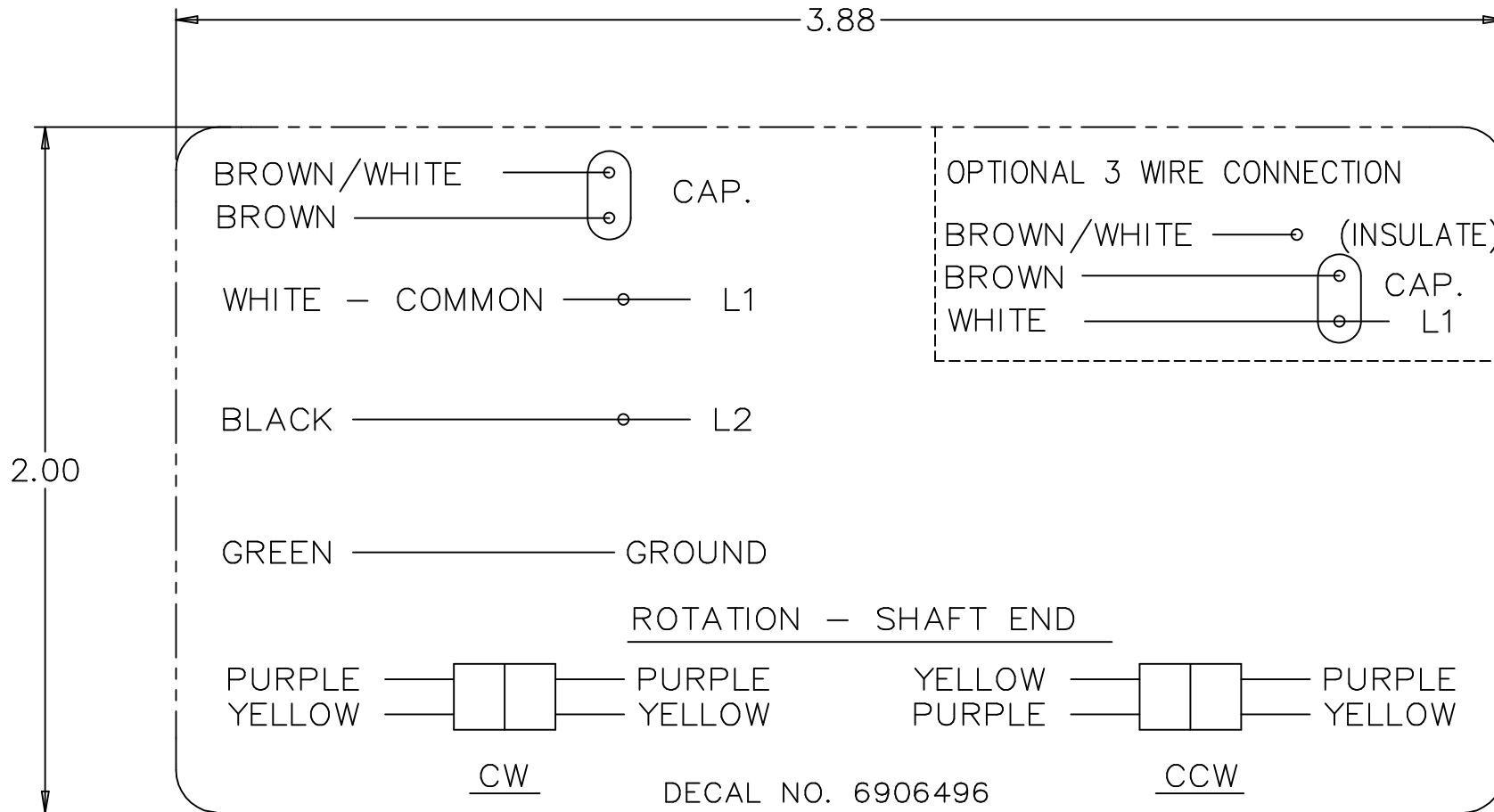
REF SS73950

FMF

PREV

THIS DRAWING IN DESIGN AND DETAIL IS OUR PROPERTY AND MUST NOT BE USED EXCEPT IN CONNECTION WITH OUR WORK ALL RIGHTS OF DESIGN AND INVENTION ARE RESERVED THIS IS AN ELECTRONICALLY GENERATED DOCUMENT - DO NOT SCALE THIS PRINT

RFP
DIST WP



NO.	REVISION	BY & DATE	CHK	TOLERANCES UNLESS SPECIFIED		FINISH	DRAWN MRB 04-16-1998	
				DEC.	INCHES			
4	ADDED DIM. TO DECAL	RDH 09/22/2003	ML	.X	±.1	REGAL-BELOIT <i>Motor Technologies</i>	CHK ML 04-22-1998	
3	REMOVED 'MARATHON ELECTRIC' CN 35106	DRS 05-01-2002	TOM	.XX	±.02		TITLE CONNECTION DECAL	APPD GK 04-22-1998
2	PART NAME WAS CONNECTION DIAGRAM CN 25669	MRB 04-23-1998		.XXX	±.005			SCALE 1=1
1	NEW DRAWING CN 25669	MRB 04-22-1998		.XXXX	±.0005		MAT'L.	REF
				ANG	±7'30"		FMF	
			RFP	CAD FILE 6906496			SIZE A	DRAWING NO. 6906496
			DIST WP				PAGE OF	REV. 4

** Subject to change without notice.



REGAL REXNORD CORPORATION
TYPICAL PERFORMANCE CURVE for AC MOTOR

Customer

Curve at 230 Volts
60 HZ
0.25 HP

HP 0.25

PHASE 1

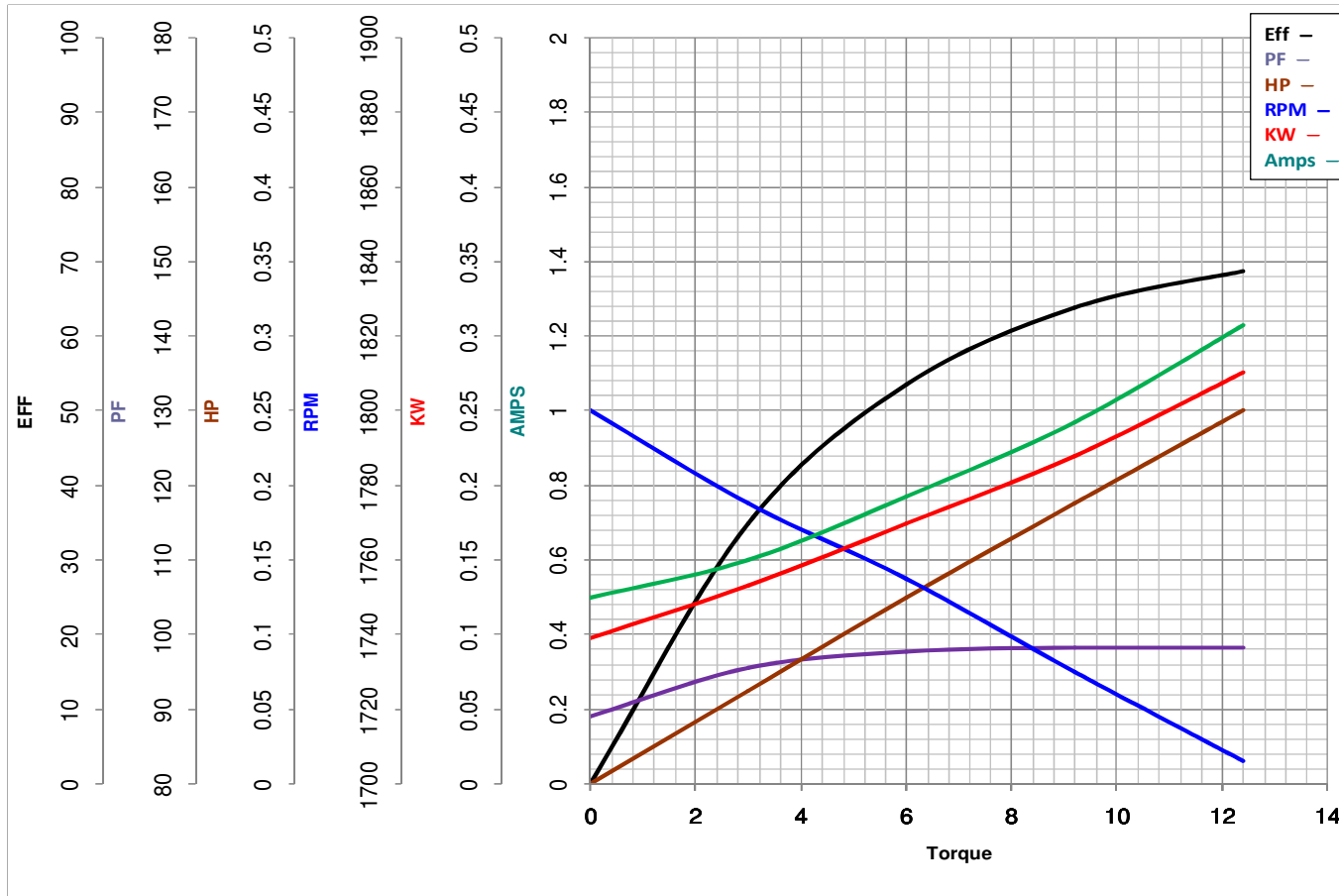
Model No 48A17O2006

VOLTS 208-230

Catalog No X012

HZ 60

RPM 1625



Torque in Oz.Ft

FL TORQUE 12.4 Oz.Ft
BD TORQUE 22.1 Oz.Ft
LR TORQUE 4.83 Oz.Ft

FL AMPS 1.9-1.8
PU TORQUE 3.9 Oz.Ft
LR AMPS 4.03

WINDING PE484207-2

Date 1/18/2019