

PRODUCT INFORMATION PACKET



Model No: 056T17D15847

Catalog No: FX01FK003

FLEX-IN-1™ General Purpose Motor, 1 HP, 3 Ph, 60 Hz, 575 V, 1800 RPM, 56C Frame, DP



Regal and LEESON are trademarks of Regal Rexnord Corporation or one of its affiliated companies.
©2025 Regal Rexnord Corporation, All Rights Reserved. MC017097E





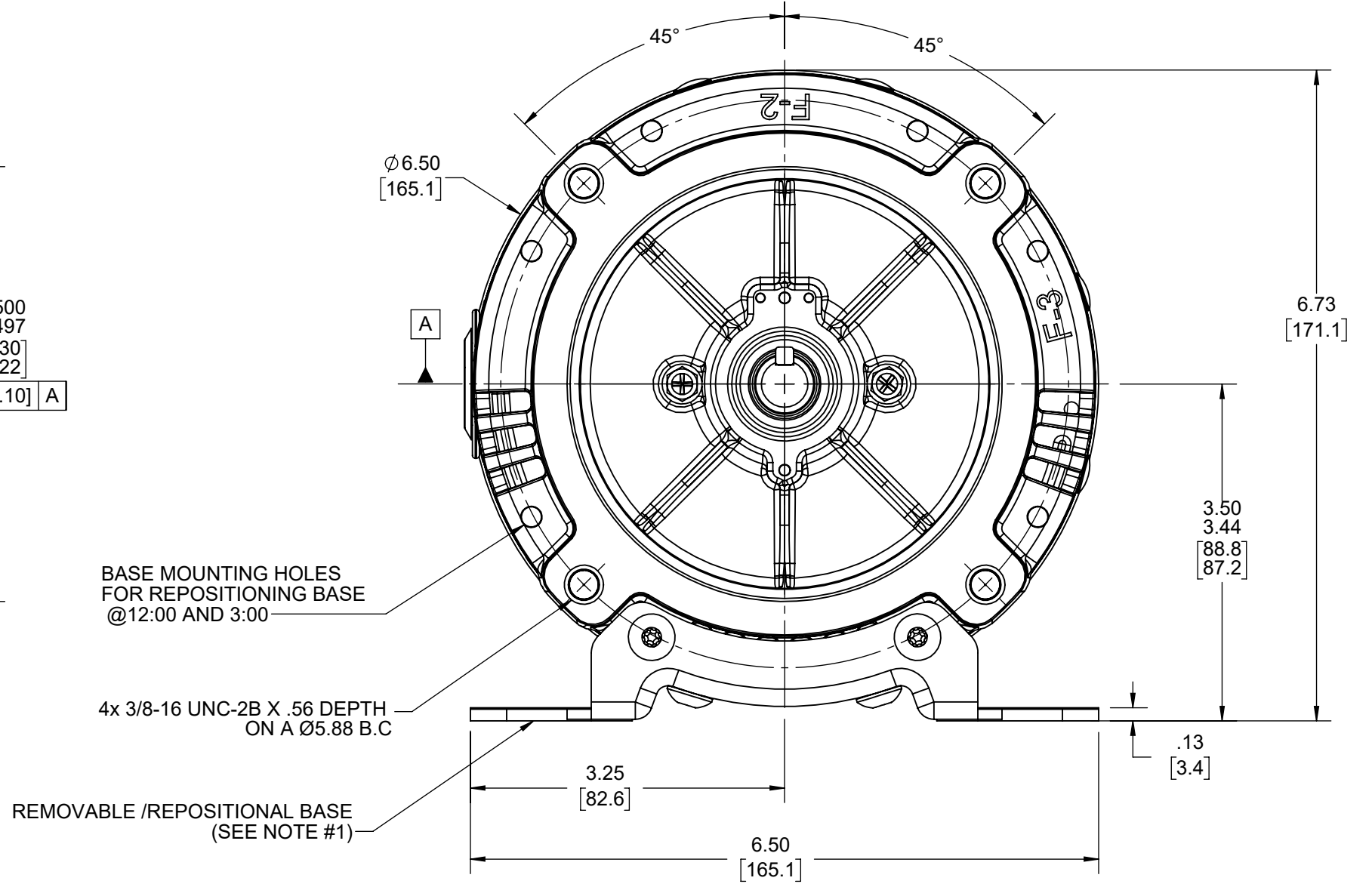
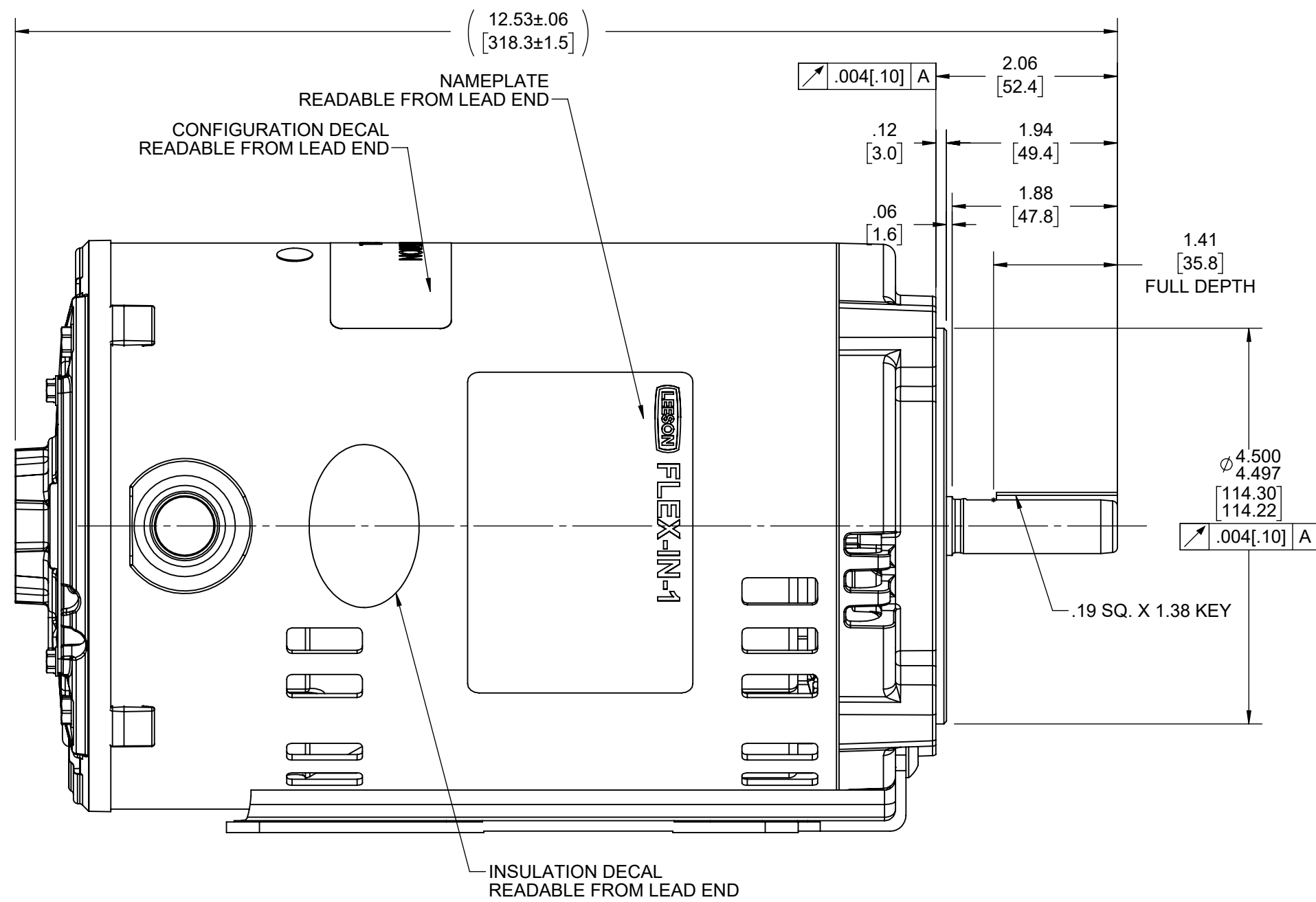
Nameplate Specifications

Phase	3	Output HP	1 Hp
Output KW	0.75 kW	Voltage	575 V
Speed	1725 rpm	Service Factor	1.15
Frame	56C	Enclosure	Drip Proof
Thermal Protection	No Protection	Efficiency	83.5 %
Ambient Temperature	40 °C	Frequency	60 Hz
Current	1.3 A	Power Factor	72
Duty	Continuous	Insulation Class	F
Design Code	B	KVA Code	N
Drive End Bearing Size	6203	Opp Drive End Bearing Size	6203
UL	Recognized	CSA	Y
CE	Y	IP Code	22
Number of Speeds	1		

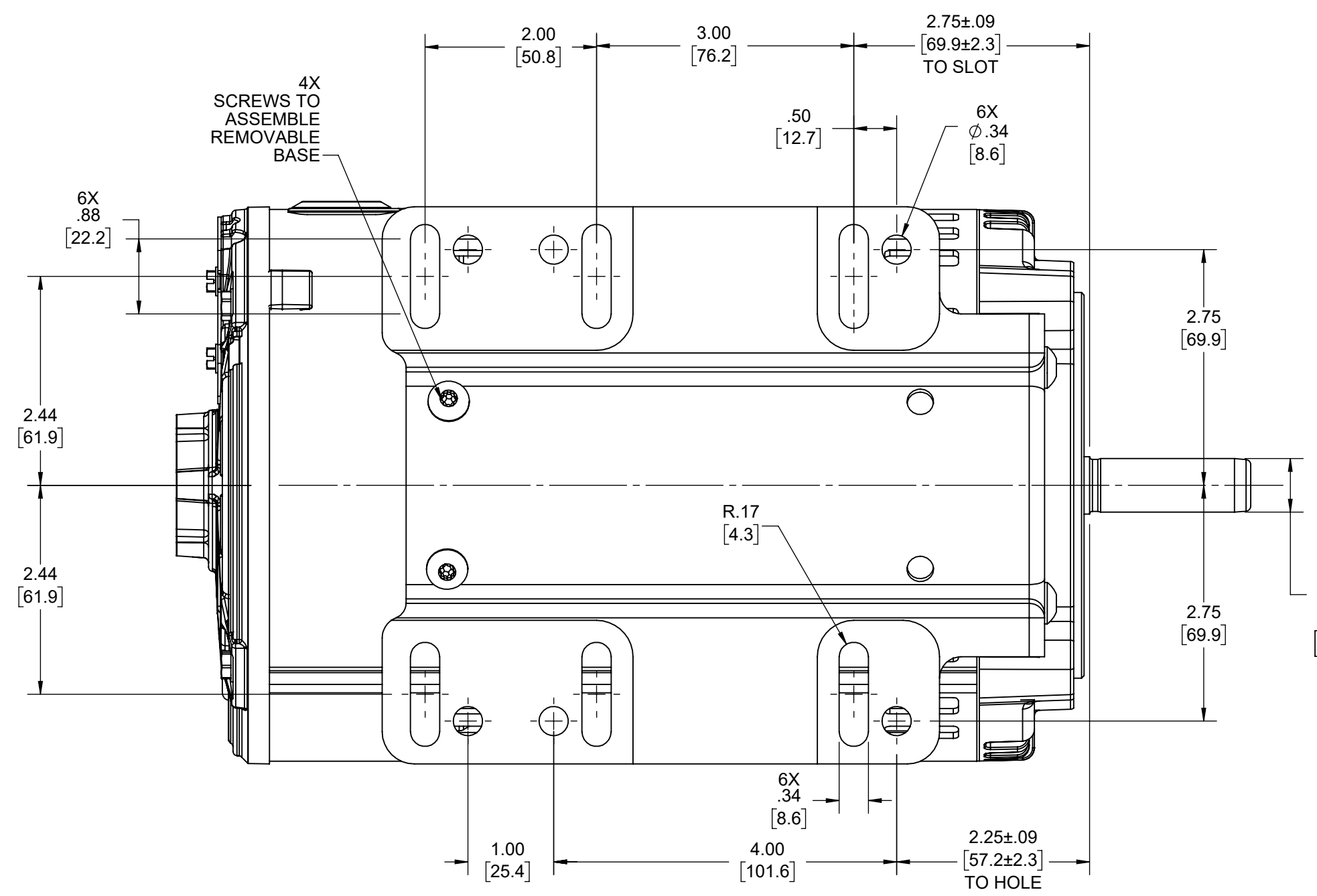
Technical Specifications

Electrical Type	Squirrel Cage Inverter Rated	Starting Method	Line Or Inverter
Poles	4	Rotation	Reversible
Resistance Main	9.1 Ohms	Mounting	Bolt-on Base
Motor Orientation	Horizontal	Drive End Bearing	Ball
Opp Drive End Bearing	Ball	Frame Material	Rolled Steel
Shaft Type	NEMA 56	Shaft Diameter	0.625 in
Assembly/Box Mounting	F1 F2/F3 CAPABLE	Inverter Load	CONSTANT 2:1
Connection Drawing	CDTS141	Outline Drawing	OL56100840-001

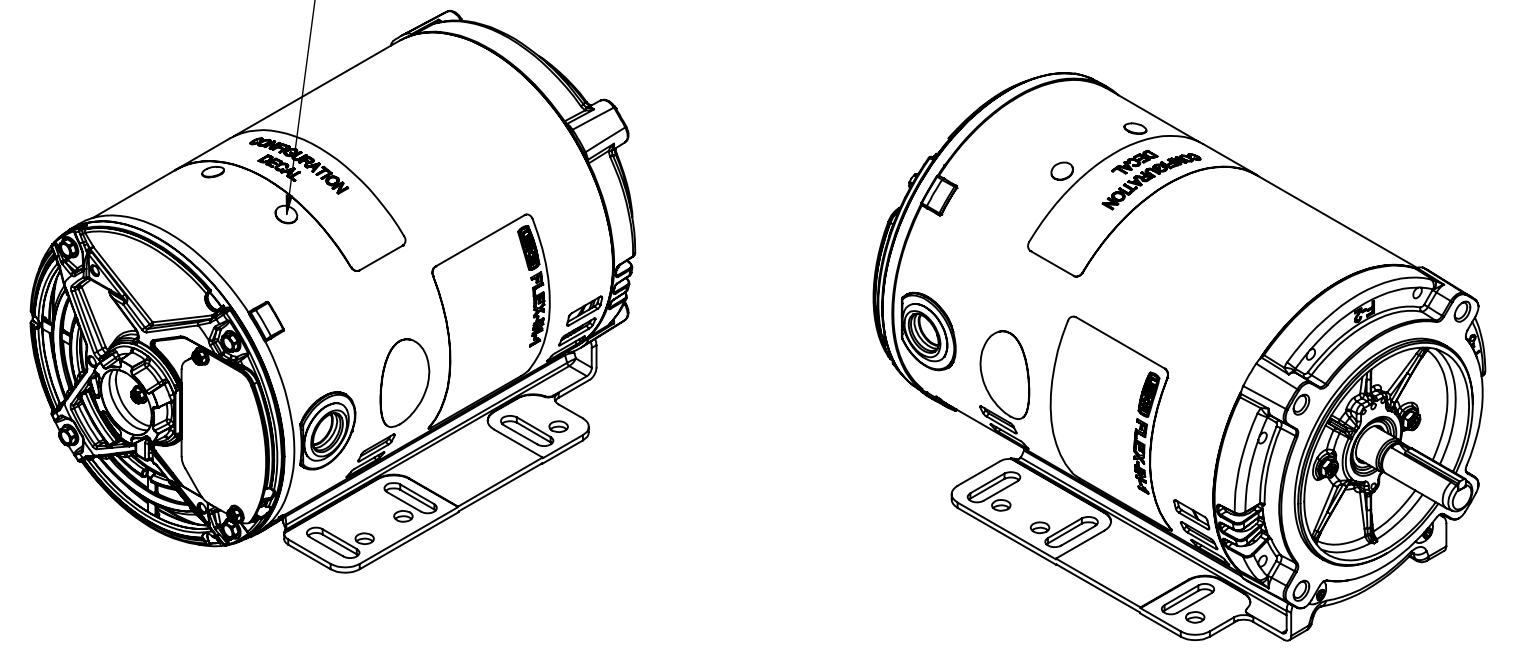
This is an uncontrolled document once printed or downloaded and is subject to change without notice. Date Created:07/28/2025



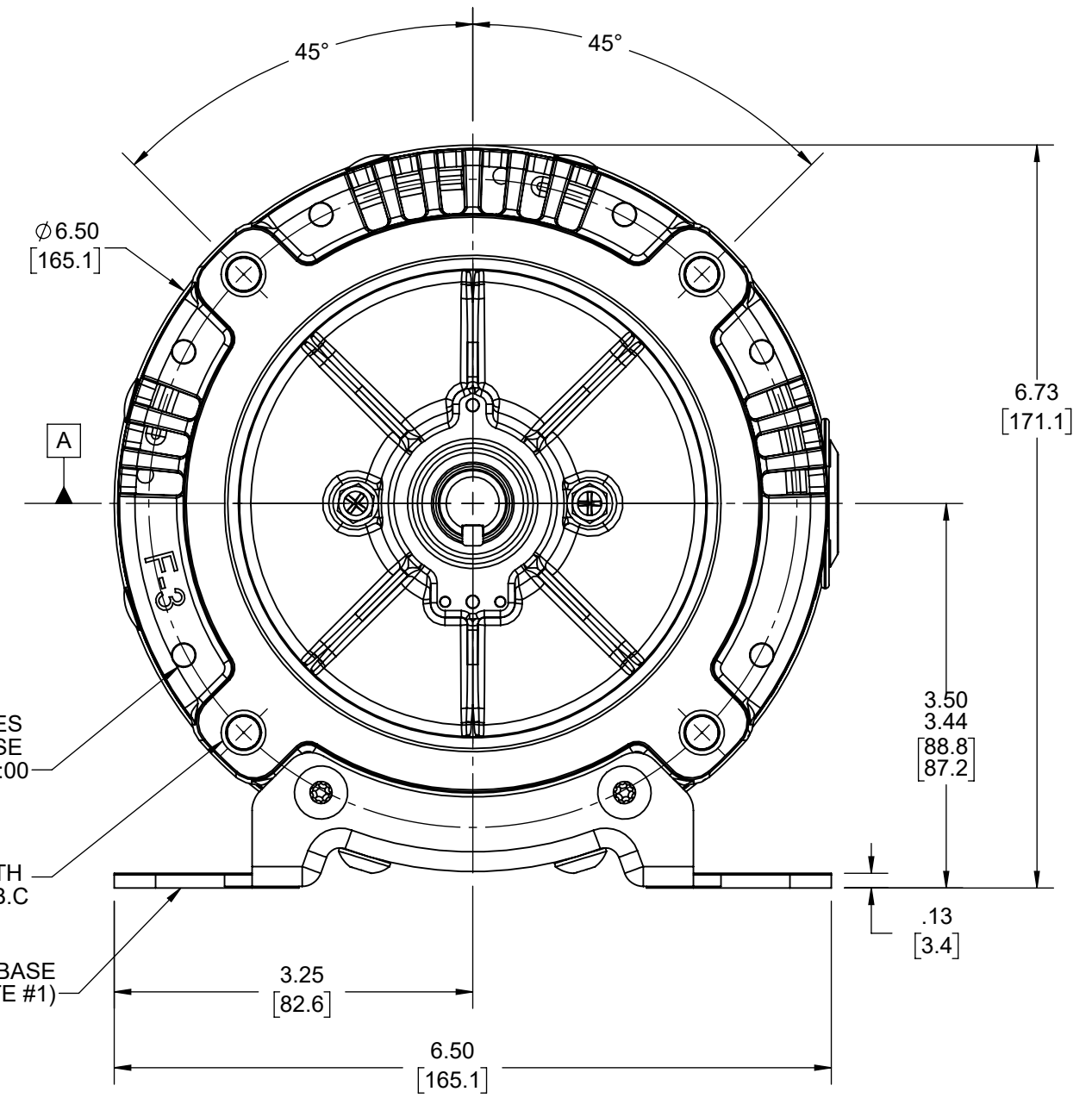
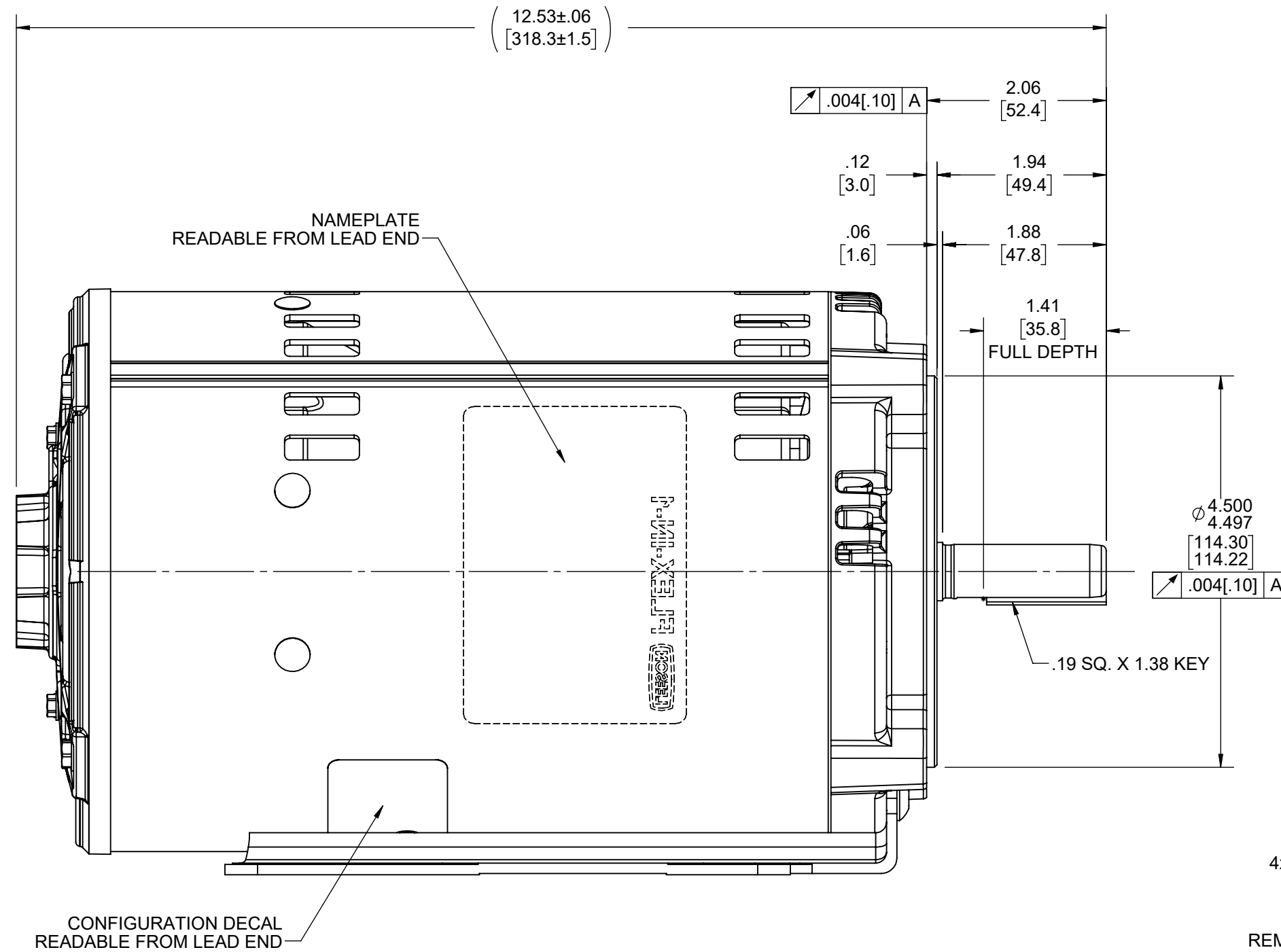
- NOTES:
- 1) REMOVABLE / REPOSITIONAL BASE CAN BE REMOVED FOR C-FACE MOUNTING OR REPOSITIONED TO 12:00 OR 3:00 FACING SHAFT END OF MOTOR FOR NEMA F-2 OR F-3 CONDUIT BOX LOCATION.
 - 2) KEY TO BE SHIPPED IN BAG WITH HOLE PLUGS AND BASE MOUNTING INSTRUCTION SHEET.



PLUGGED BASE MOUNTING HOLES FOR REPOSITIONING BASE @12:00 OR 3:00

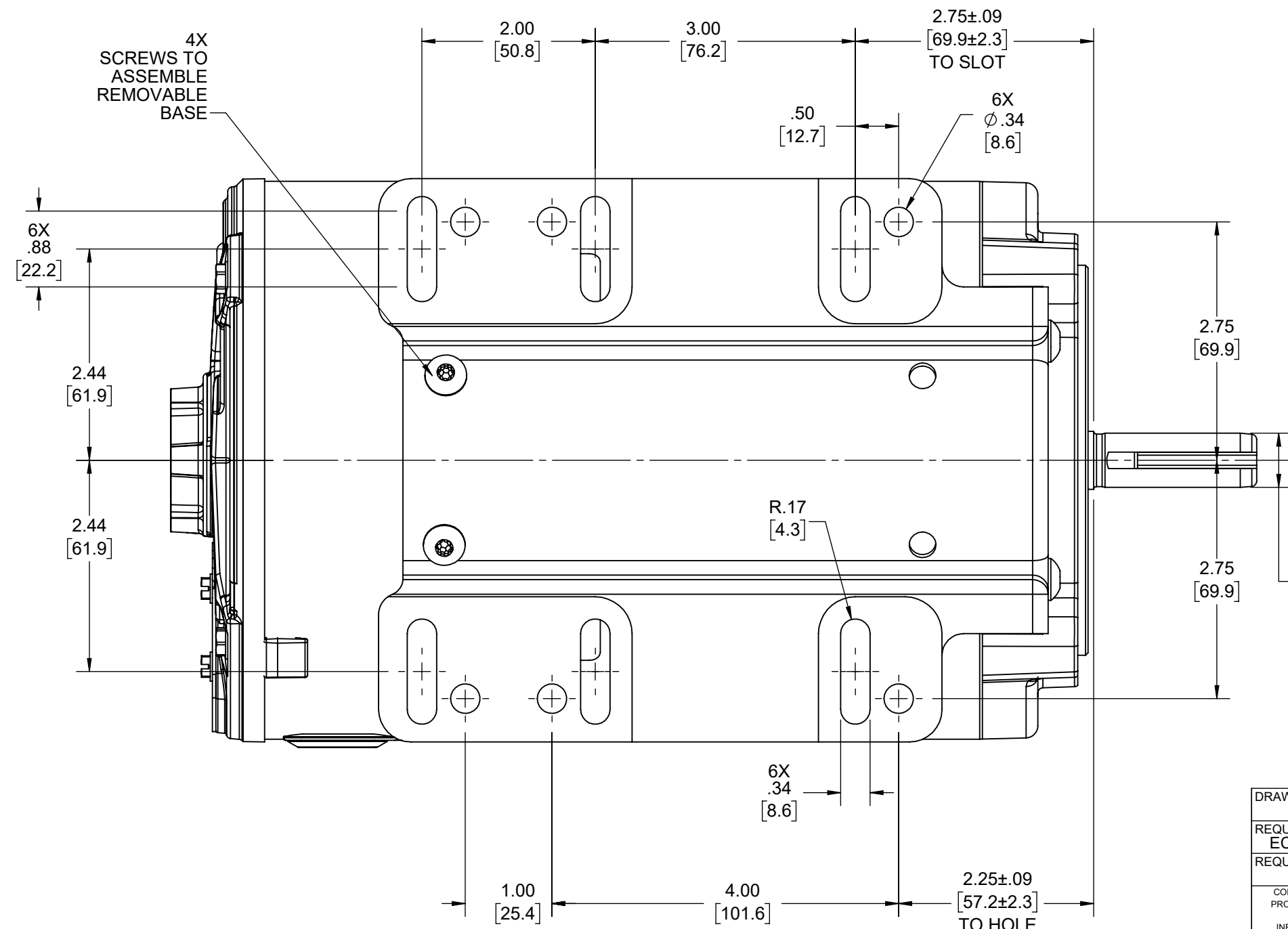


DRAWING REVISION F	REVISION BY M.P	REV DATE/© DATE 03/04/2024	TOLERANCES (EXCEPT AS NOTED): DEC. INCH mm ANGLE	DRAWN BY RAJESH	Regal Beloit America, Inc.
REQUEST NUMBER ECR-0231732	APPROVED BY P.V.R	DATE 03/04/2024	.X ±0.1 [±3] ±0.5° .XX ±0.02 [±0.5] .XXX ±0.005 [±0.13] .XXXX ±0.0005 [±0.013]	DATE 07/06/2022	
REQUEST NUMBER DESCRIPTION UPDATED AS PER ECR			REMOVE BURRS & BREAK SHARP EDGES: .003/.015 [.08/.38] X 45° CORNER FILLETS: R.02 [.5] MACHINED SURFACES: .125 INCH √ mm 3.2	APPROVED BY PRADEEP	DESCRIPTION OUTLINE
<small>COPYRIGHT (PER REVISION DATE) REGAL BELOIT AMERICA, INC. ALL RIGHTS RESERVED. PROPRIETARY AND CONFIDENTIAL INFORMATION - THIS DOCUMENT IS THE PROPERTY OF REGAL BELOIT AMERICA, INC. ("OWNER") AND CONTAINS OWNER'S PROPRIETARY INFORMATION. ANY PERSON, CORPORATION OR OTHER FIRM RECEIVING IT IS DEEMED, BY RECEIVING IT, TO AGREE THAT IT, AND/OR ANY PART OF IT, SHALL NOT BE DISCLOSED TO ANY PERSON, CORPORATION OR OTHER ENTITY, DUPLICATED, AND/OR USED, EXCEPT AS EXPRESSLY APPROVED IN WRITING IN ADVANCE BY OWNER. THIS DOCUMENT SHALL BE RETURNED TO OWNER UPON REQUEST. IT MAY BE SUBJECT TO CERTAIN RESTRICTIONS UNDER APPLICABLE EXPORT CONTROL LAWS AND REGULATIONS.</small>			mm DIMENSIONS IN [BRACKETS] ARE FOR REFERENCE ONLY	DATE 07/06/2022	MATERIAL 56-140FR, DP, C-FACE, BOLT ON
			THIRD ANGLE PROJECTION	REFERENCE OL56100839	PROCESS/FINISH
			SIZE C	DRAWING NUMBER OL56100840-001	SHEET 1 OF 3

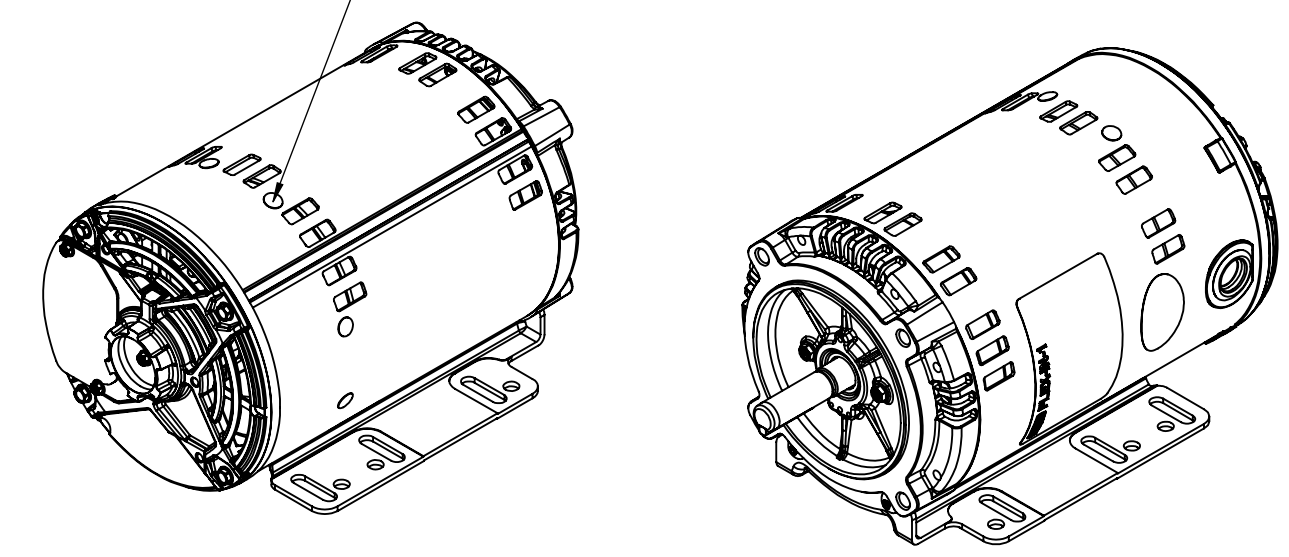


BASE MOUNTING HOLES FOR REPOSITIONING BASE @9:00 AND 12:00
 4x 3/8-16 UNC-2B X .56 DEPTH ON A Ø5.88 B.C
 REMOVABLE /REPOSITIONAL BASE (SEE NOTE #1)

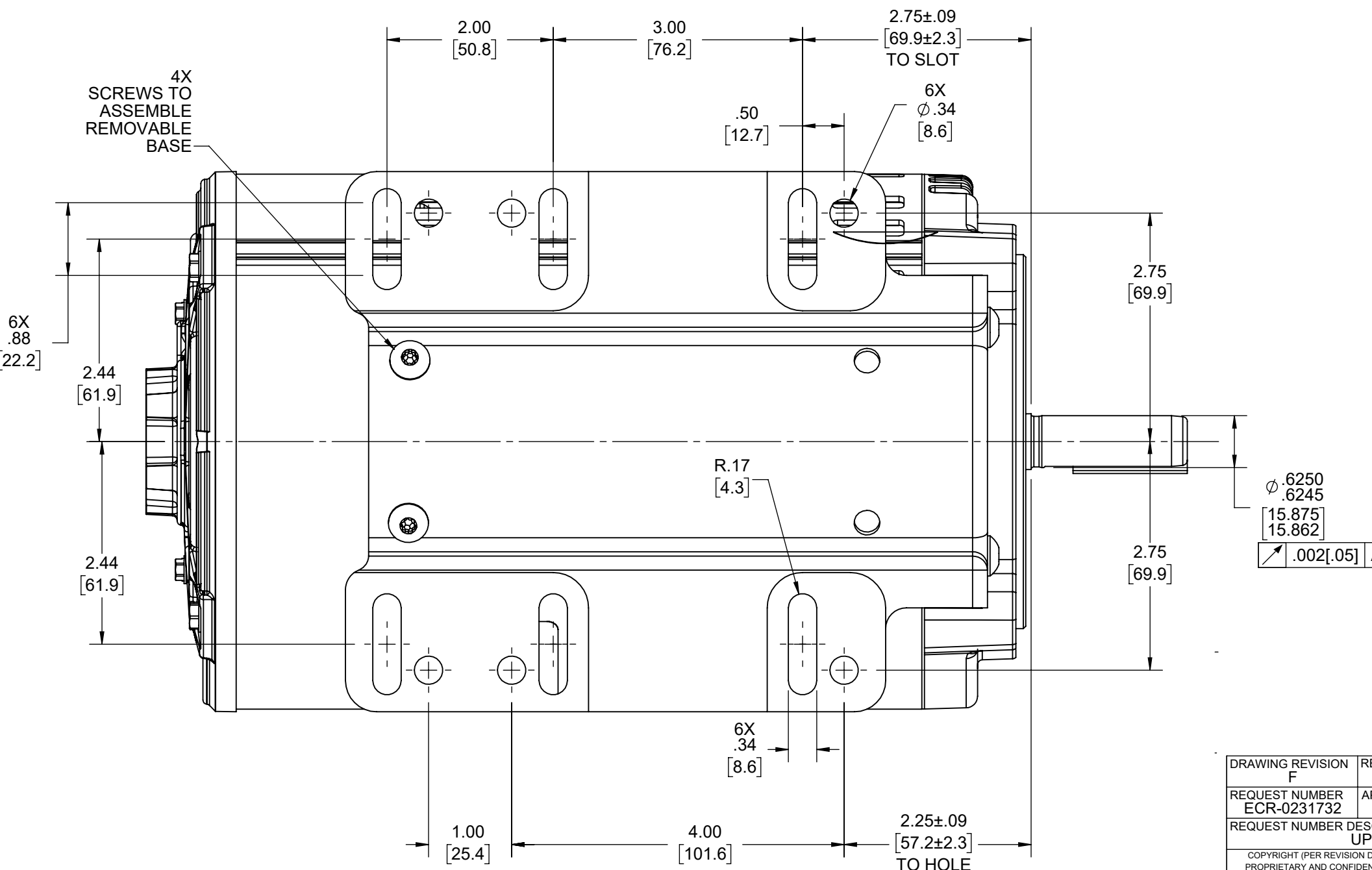
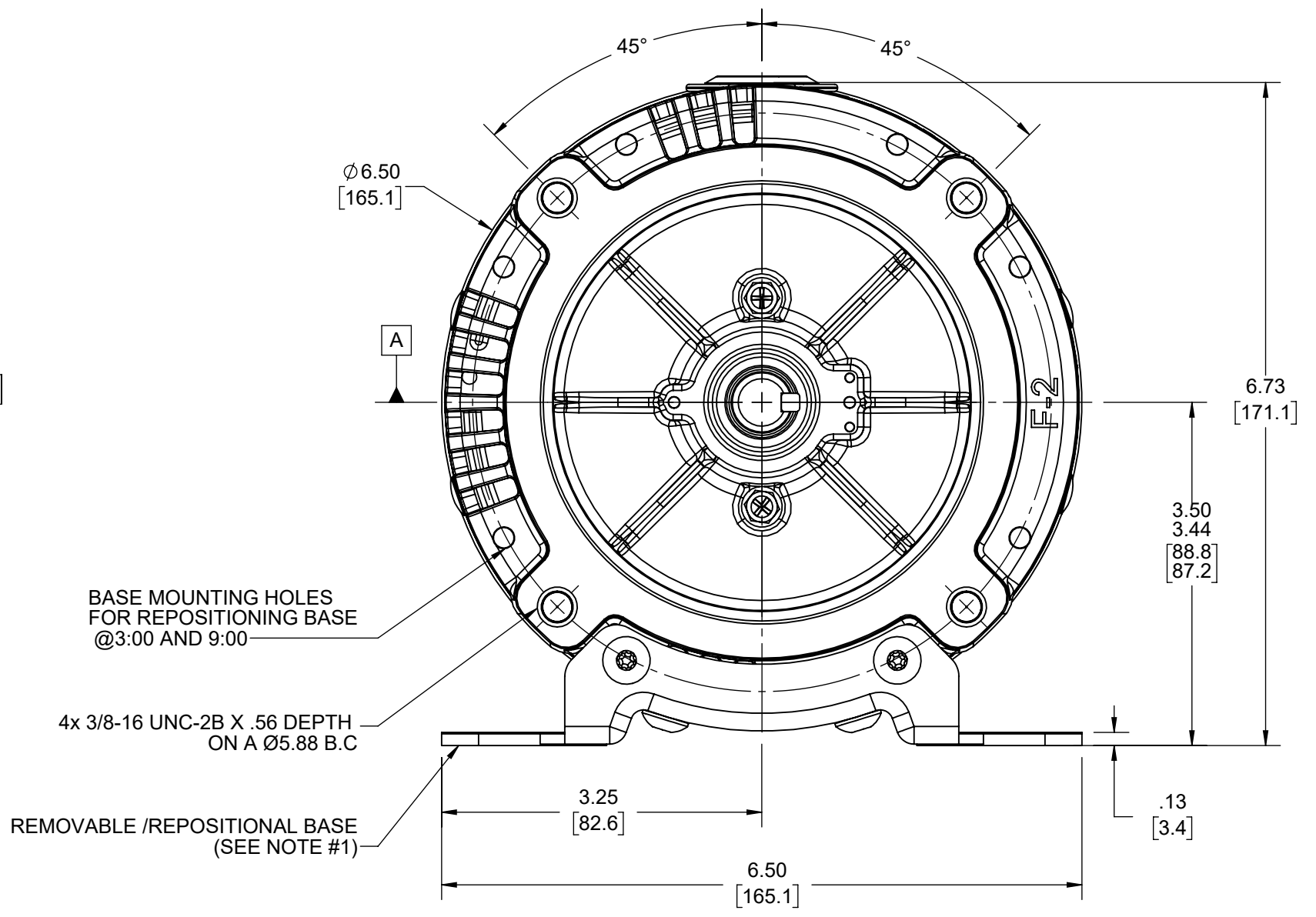
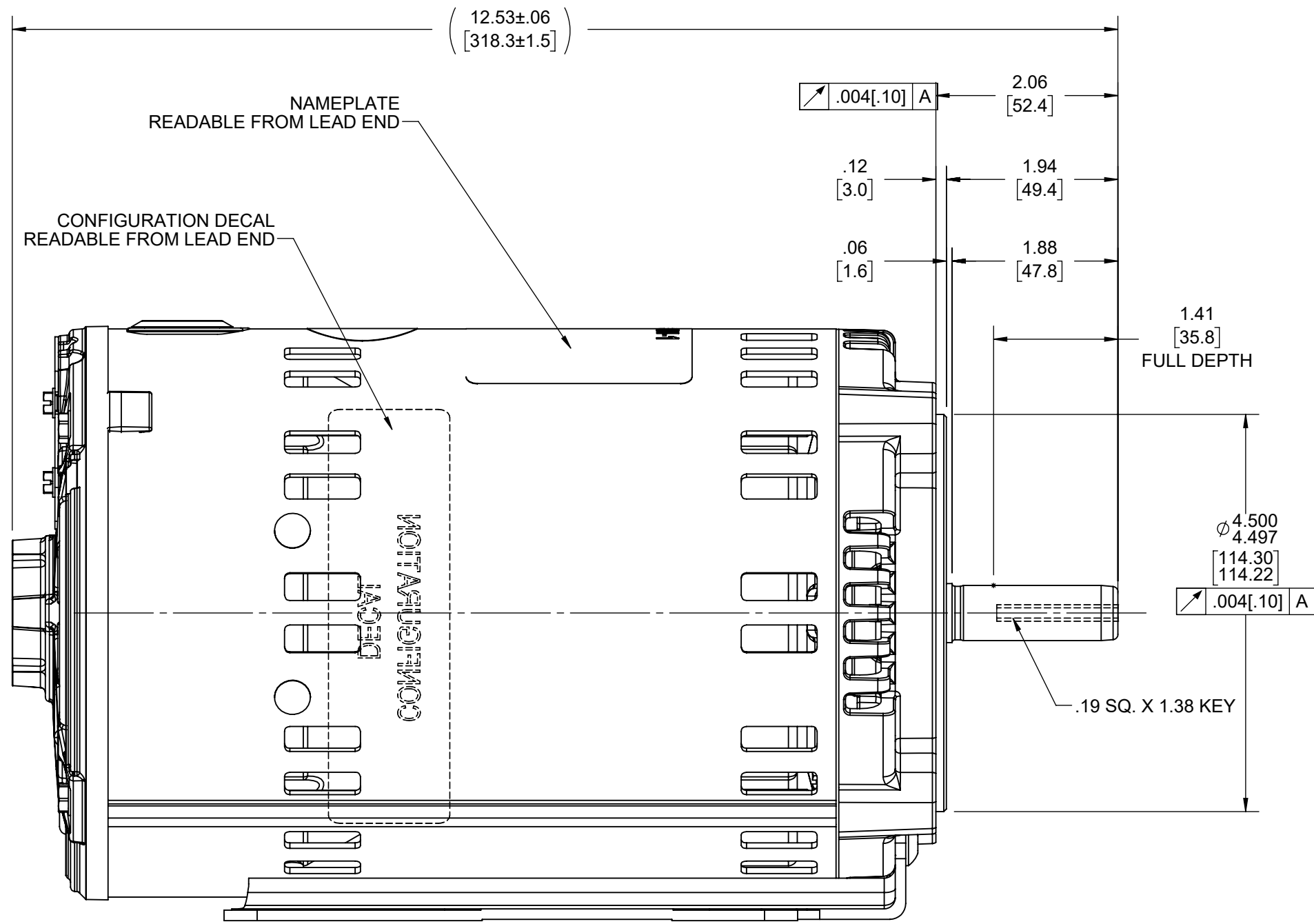
- NOTES:
- 1) REMOVABLE / REPOSITIONAL BASE CAN BE REMOVED FOR C-FACE MOUNTING OR REPOSITIONED TO 12:00 OR 9:00 FACING SHAFT END OF MOTOR FOR NEMA F-1 OR F-3 CONDUIT BOX LOCATION.
 - 2) KEY TO BE SHIPPED IN BAG WITH HOLE PLUGS AND BASE MOUNTING INSTRUCTION SHEET.



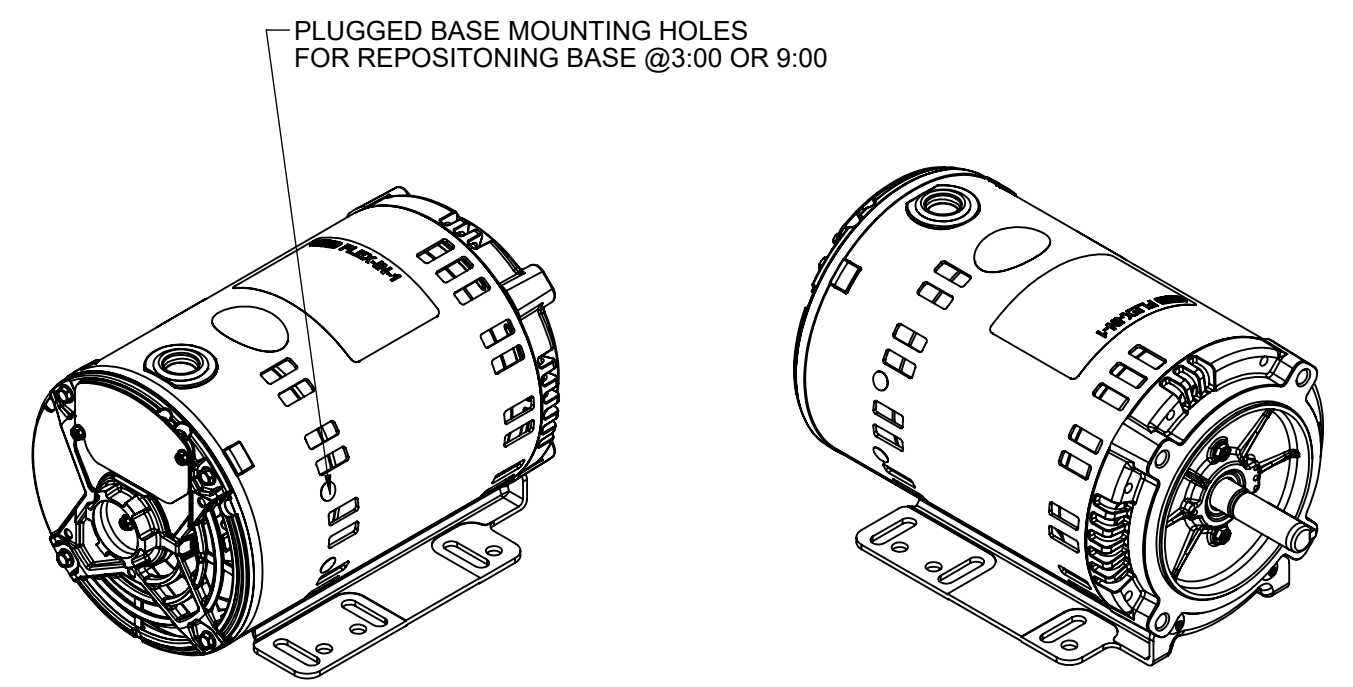
PLUGGED BASE MOUNTING HOLES FOR REPOSITIONING BASE @9:00 OR 12:00



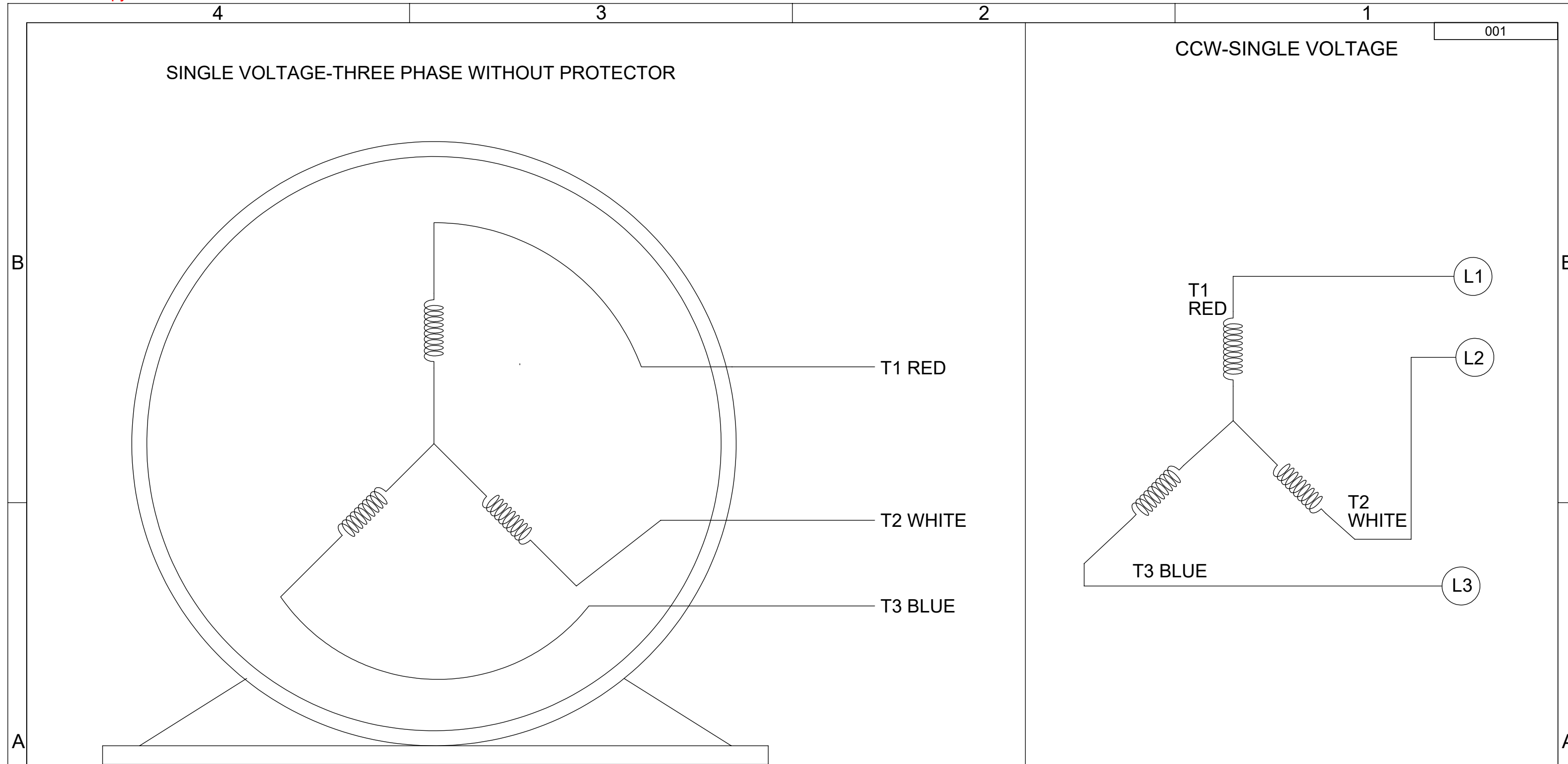
DRAWING REVISION F	REVISION BY M.P	REV DATE/@ DATE 03/04/2024	TOLERANCES (EXCEPT AS NOTED): DEC. INCH mm ANGLE .X ±0.1 [±3] ±0.5° .XX ±0.02 [±0.5] .XXX ±0.005 [±0.13] .XXXX ±0.0005 [±0.013]	DRAWN BY RAJESH	Regal Beloit America, Inc.
REQUEST NUMBER ECR-0231732	APPROVED BY P.V.R	DATE 03/04/2024	REMOVE BURRS & BREAK SHARP EDGES: .003/.015 [.08/.38] X 45° CORNER FILLETS: R.02 [.5] MACHINED SURFACES: ±.125 /mm 3.2 INCH /mm mm DIMENSIONS IN [BRACKETS] ARE FOR REFERENCE ONLY	DATE 07/06/2022	
REQUEST NUMBER DESCRIPTION UPDATED AS PER ECR				APPROVED BY PRADEEP	MATERIAL
COPYRIGHT (PER REVISION DATE) REGAL BELOIT AMERICA, INC. ALL RIGHTS RESERVED. PROPRIETARY AND CONFIDENTIAL INFORMATION - THIS DOCUMENT IS THE PROPERTY OF REGAL BELOIT AMERICA, INC. ("OWNER") AND CONTAINS OWNER'S PROPRIETARY INFORMATION. ANY PERSON, CORPORATION OR OTHER FIRM RECEIVING IT IS DEEMED, BY RECEIVING IT, TO AGREE THAT IT, AND/OR ANY PART OF IT, SHALL NOT BE DISCLOSED TO ANY PERSON, CORPORATION OR OTHER ENTITY, DUPLICATED, AND/OR USED, EXCEPT AS EXPRESSLY APPROVED IN WRITING IN ADVANCE BY OWNER. THIS DOCUMENT SHALL BE RETURNED TO OWNER UPON REQUEST. IT MAY BE SUBJECT TO CERTAIN RESTRICTIONS UNDER APPLICABLE EXPORT CONTROL LAWS AND REGULATIONS.				DATE 07/06/2022	PROCESS/FINISH
				REFERENCE OL56100839	DRAWING NUMBER OL56100840-001
				THIRD ANGLE PROJECTION	SHEET 2 OF 3



- NOTES:
- 1) REMOVABLE / REPOSITIONAL BASE CAN BE REMOVED FOR C-FACE MOUNTING OR REPOSITIONED TO 9:00 OR 3:00 FACING SHAFT END OF MOTOR FOR NEMA F-1 OR F-2 CONDUIT BOX LOCATION.
 - 2) KEY TO BE SHIPPED IN BAG WITH HOLE PLUGS AND BASE MOUNTING INSTRUCTION SHEET.



DRAWING REVISION F	REVISION BY M.P	REV DATE/© DATE 03/04/2024	TOLERANCES (EXCEPT AS NOTED): DEC. INCH mm ANGLE .X ±0.1 [±.3] ±0.5° .XX ±0.02 [±.5] .XXX ±0.005 [±0.13] .XXXX ±0.0005 [±0.013]	DRAWN BY RAJESH	Regal Beloit America, Inc.
REQUEST NUMBER ECR-0231732	APPROVED BY P.V.R	DATE 03/04/2024	REMOVE BURRS & BREAK SHARP EDGES: .003/.015 [.08/.38] X 45° CORNER FILLETS: R.02 [.5] MACHINED SURFACES: ±.125 / mm 3.2 / INCH	DATE 07/06/2022	
REQUEST NUMBER DESCRIPTION UPDATED AS PER ECR			REFERENCE OL56100839	APPROVED BY PRADEEP	MATERIAL 56-140FR, DP, C-FACE, BOLT ON
<small>COPYRIGHT (PER REVISION DATE) REGAL BELOIT AMERICA, INC. ALL RIGHTS RESERVED. PROPRIETARY AND CONFIDENTIAL INFORMATION - THIS DOCUMENT IS THE PROPERTY OF REGAL BELOIT AMERICA, INC. ("OWNER") AND CONTAINS OWNER'S PROPRIETARY INFORMATION. ANY PERSON, CORPORATION OR OTHER FIRM RECEIVING IT IS DEEMED, BY RECEIVING IT, TO AGREE THAT IT, AND/OR ANY PART OF IT, SHALL NOT BE DISCLOSED TO ANY PERSON, CORPORATION OR OTHER ENTITY, DUPLICATED, AND/OR USED, EXCEPT AS EXPRESSLY APPROVED IN WRITING IN ADVANCE BY OWNER. THIS DOCUMENT SHALL BE RETURNED TO OWNER UPON REQUEST. IT MAY BE SUBJECT TO CERTAIN RESTRICTIONS UNDER APPLICABLE EXPORT CONTROL LAWS AND REGULATIONS.</small>			THIRD ANGLE PROJECTION	DATE 07/06/2022	PROCESS/FINISH
			mm DIMENSIONS IN [BRACKETS] ARE FOR REFERENCE ONLY	REFERENCE OL56100839	DRAWING NUMBER OL56100840-001
				SIZE C	SHEET 3 OF 3



VIEW OF TERMINAL END

- NOTES:
1. TO REVERSE ROTATION, INTERCHANGE ANY TWO LINE CONNECTIONS TO L1, L2, OR L3.
 2. CONNECTION DIAGRAM-NAMEPLATE DD10213-001

DRAWING REVISION B	REVISION BY PRASHANTH	REV DATE/© DATE 06/22/2022	TOLERANCES (EXCEPT AS NOTED): DEC. INCH mm ANGLE .X ±0.1 [±3] ±0.5° .XX ±0.01 [±0.3] .XXX ±0.005 [±0.13] .XXXX ±0.0005 [±0.013]	DRAWN BY SHESHI	Regal Beloit America, Inc.		
REQUEST NUMBER NMR-0213855	APPROVED BY BHARGAVI	DATE 06/22/2022		DATE 03/07/2019			
REQUEST NUMBER DESCRIPTION CHANGED NOTES FROM LOW TO SINGLE VOLTAGE			REMOVE BURRS & BREAK SHARP EDGES: .003/.015 [.08/.38] X 45° CORNER FILLETS: R.02 [.5] MACHINED SURFACES: 125/3.2 INCH/mm mm DIMENSIONS IN [BRACKETS] ARE FOR REFERENCE ONLY	APPROVED BY BHARGAVI	DESCRIPTION CONN DIAGRAM-EXTERNAL		
<small>COPYRIGHT (PER REVISION DATE) REGAL BELOIT AMERICA, INC. ALL RIGHTS RESERVED. PROPRIETARY AND CONFIDENTIAL INFORMATION - THIS DOCUMENT IS THE PROPERTY OF REGAL BELOIT AMERICA, INC. ("OWNER") AND CONTAINS OWNER'S PROPRIETARY INFORMATION. ANY PERSON, CORPORATION OR OTHER FIRM RECEIVING IT IS DEEMED, BY RECEIVING IT, TO AGREE THAT IT, AND/OR ANY PART OF IT, SHALL NOT BE DISCLOSED TO ANY PERSON, CORPORATION OR OTHER ENTITY, DUPLICATED, AND/OR USED, EXCEPT AS EXPRESSLY APPROVED IN WRITING IN ADVANCE BY OWNER. THIS DOCUMENT SHALL BE RETURNED TO OWNER UPON REQUEST. IT MAY BE SUBJECT TO CERTAIN RESTRICTIONS UNDER APPLICABLE EXPORT CONTROL LAWS AND REGULATIONS.</small>				DATE 03/07/2019	MATERIAL	PROCESS/FINISH	
				REFERENCE CDTS139			
				THIRD ANGLE PROJECTION	SIZE B	DRAWING NUMBER CDTS141	SHEET 1 OF 1

EC Declaration of Conformity

The undersigned representing
the manufacturer:

Regal Beloit America
1946 West Cook Road
Fort Wayne, IN 46818

and the authorized representative
established within the Community:

Regal Beloit Italy
Via Modena, 18
24040 Ciserano(BG) - Italy

are committed to providing customers with products that comply with applicable regulations and international protocols to which they are subject, including the requirements of the European Parliament Directive on the Harmonization of the laws relating to electrical equipment designed for use within certain voltage limits (2014/35/EU).

Regal Beloit America declares that the following product(s), to which this declaration relates, are in conformity with the relevant sections of the EC standards listed below.

This statement supersedes any statements previously issued pertaining to the product(s) listed below and is subject to change without notice.

Model No : 056T17D15847

(Model No. may contain prefix and/or suffix characters)

Catalog No : FX01FK003

Rework No : N/A

Directives :

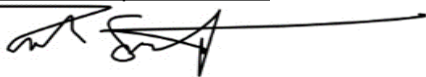
Low Voltage Directive 2014/35/EU

Harmonized Standards Used :

EN 60034-1: 2010 (IEC 60034-1: 2010)

EN 60034-5: 2001/A1:2007 (IEC 60034-5: 2000/A1:2006)

Authorized Representative:



Zach Stauffer
Vice President, Engineering

Authorized Representative in the Community:



Stefano Casiraghi
Technology Director, Engineering

Created on 07/08/2025

CE 25