

PRODUCT INFORMATION PACKET



Model No: 056T17D15719
Catalog No: 056T17D15719
2,1725,DP,56,3/60/208-230/460

Regal and LEESON are trademarks of Regal Rexnord Corporation or one of its affiliated companies.
©2025 Regal Rexnord Corporation, All Rights Reserved. MC017097E





Nameplate Specifications

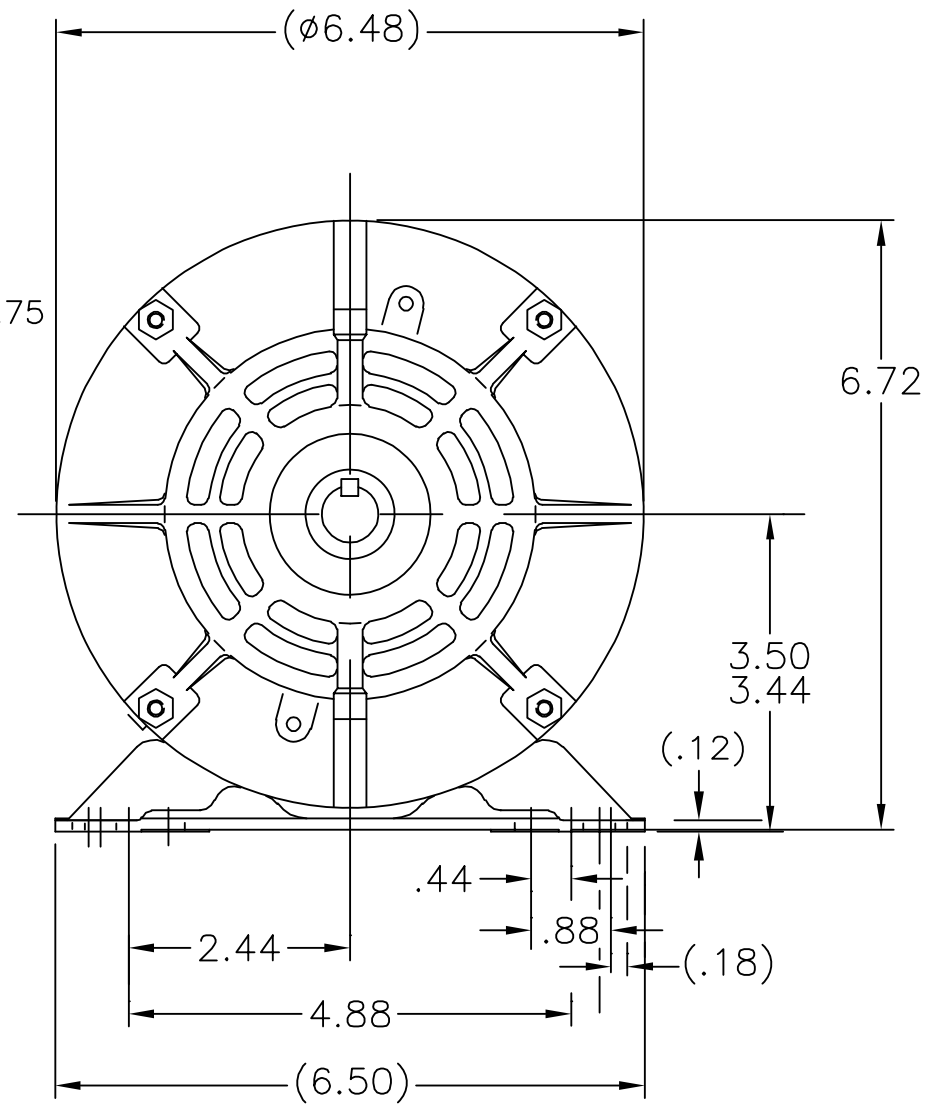
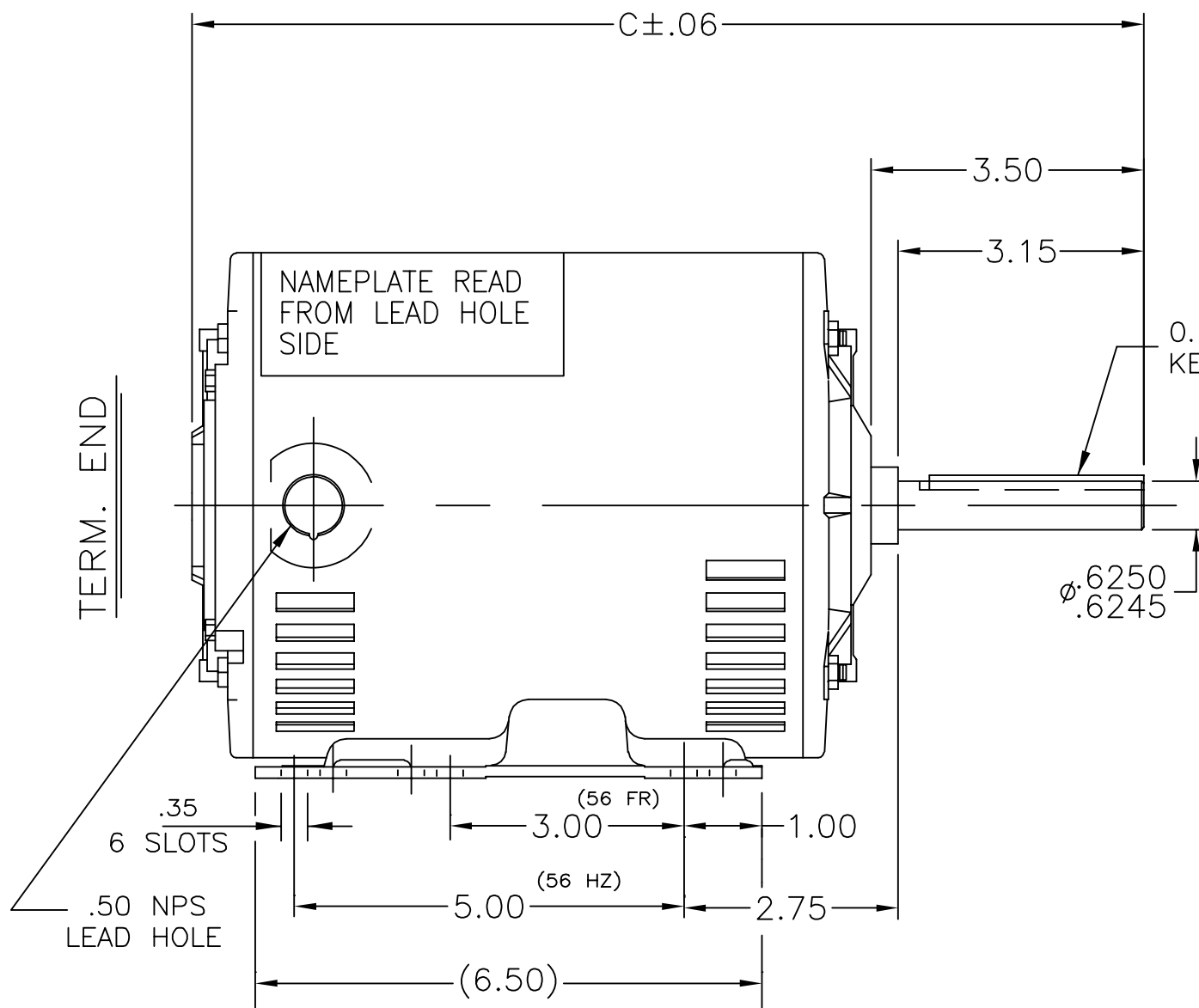
Phase	3	Output HP	2 Hp
Output KW	1.5 kW	Voltage	208-230/460 V
Speed	1725 rpm	Service Factor	1.15
Frame	56Z	Enclosure	Drip Proof
Thermal Protection	Automatic	Efficiency	81.5 %
Ambient Temperature	40 °C	Frequency	60 Hz
Current	6.2-6.2/3.1 A	Power Factor	75.5
Duty	Continuous	Insulation Class	B
Design Code	B	KVA Code	K
Drive End Bearing Size	6205	Opp Drive End Bearing Size	6203
UL	Recognized	CSA	Y
CE	Y	IP Code	22
Number of Speeds	1		

Technical Specifications


Electrical Type	Squirrel Cage Induction Run	Starting Method	Across The Line
Poles	4	Rotation	Reversible
Resistance Main	9.35 Ohms	Mounting	Rigid Base
Motor Orientation	Horizontal	Drive End Bearing	Ball
Opp Drive End Bearing	Ball	Frame Material	Rolled Steel
Shaft Type	Single Special Extension	Assembly/Box Mounting	F1 ONLY
Outline Drawing	A-108255-806	Connection Drawing	A-102007-1

This is an uncontrolled document once printed or downloaded and is subject to change without notice. Date Created:07/29/2025

108255



DASH	C
806	11.94

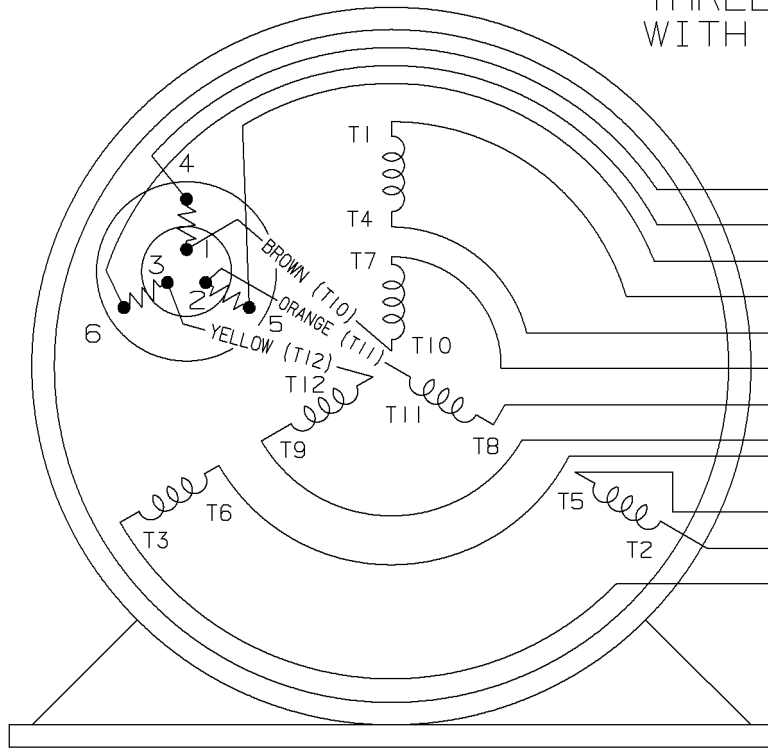
NO.	REVISION	BY & DATE	CHK	ANG	TOLERANCES UNLESS SPECIFIED	 Regal Beloit America, Inc.	DRAWN	PVR	01/19/15	
					DEC.		INCHES	CHK	AB	01/19/15
					.X		±.1	APPD		
					.XX		±.03	SCALE	3=8	
					.XXX		±.005	REF	OLME145276	
					.XXXX	±.0005	MAT'L.	FMF	56T17D15719	
							FINISH	PREV		

TITLE	OUTLINE
56 FR. - DR. PP. - BB - 3φ - 56H	
SIZE	DRAWING NO. PAGE OF REV.
A	108255

THIS DRAWING IN DESIGN AND DETAIL IS OUR PROPERTY AND MUST NOT BE USED EXCEPT IN CONNECTION WITH OUR WORK ALL RIGHTS OF DESIGN AND INVENTION ARE RESERVED THIS IS AN ELECTRONICALLY GENERATED DOCUMENT - DO NOT SCALE THIS PRINT

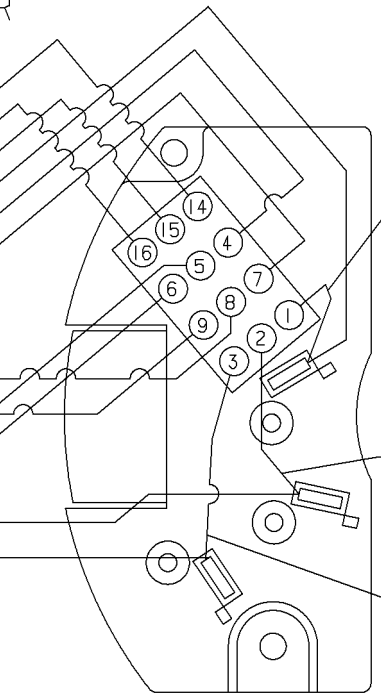
RFP	CAD FILE	108255
DIST	WP	

THREE PHASE-DUAL VOLTAGE WITH THERMAL PROTECTOR



VIEW OF TERMINAL END

- (T14) BROWN
- (T16) YELLOW
- (T15) ORANGE
- (T1) RED
- T4
- T7
- T8
- T9
- T6
- T5
- (T2) BLUE
- (T3) BLACK

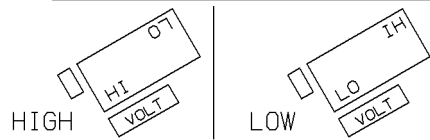


VIEWING BOTTOM OF TERMINAL BOARD

RED
 NUMBERS SHOWN ON TERM BOARD ARE FOR REF. ONLY.
 (NUMBERS DO NOT APPEAR ON PARTS.)

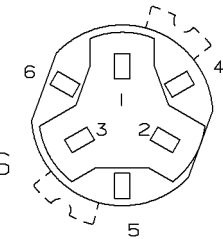
BLUE
 BLACK

TO CHANGE VOLTAGE, PULL PLUG, ROTATE 180° AND REINSERT



CONNECT LINES TO L1, L2 & L3

NOTE:
 ACTUAL PROTECTORS TERMINAL LOCATIONS FOR LEAD CONNECTIONS



4	06-26-1995	1,2,3 WERE SWITCHED WITH 4,5,6 ON THE TERMINAL CN 20644	BR	✓ MAX. SURFACE ROUGHNESS UNLESS NOTED OTHERWISE	UNLESS OTHERWISE SPECIFIED DIMENSIONS ARE IN INCHES TOL. ON XX±.02 XXX±.005 XXXX±.0005 ANGLES± 7°30"			
3	05-18-1994	ADDED ACTUAL PROTECTOR VIEW CN 17481	KL	MATL SPEC				DRAWN BY RM 07-20-1993
2	07-20-1993	REDRAWN ON CADD, ORIGINAL LOST. REV. VCD TO COLORED LEADS CNI3741	RM	FINISH				CHKD BY ET 07-20-1993
REV	DATE	CHANGE	NAME	REFERENCE DRW.	WAUSAU, WISCONSIN 54401			
				PART NAME CONNECTION DIAGRAM 3Ø - DUAL VOLTAGE MOTOR	DRWG NO A- 102007-1			

SHOP BOOK

PURCHASED

DISTRIBUTION - WA - LB - WP - LM - BR

CADD FILE NO.

102007-1

EC Declaration of Conformity

The undersigned representing
the manufacturer:

Regal Beloit America
1946 West Cook Road
Fort Wayne, IN 46818

and the authorized representative
established within the Community:

Regal Beloit Italy
Via Modena, 18
24040 Ciserano(BG) - Italy

are committed to providing customers with products that comply with applicable regulations and international protocols to which they are subject, including the requirements of the European Parliament Directive on the Harmonization of the laws relating to electrical equipment designed for use within certain voltage limits (2014/35/EU).

Regal Beloit America declares that the following product(s), to which this declaration relates, are in conformity with the relevant sections of the EC standards listed below.

This statement supersedes any statements previously issued pertaining to the product(s) listed below and is subject to change without notice.

Model No : 056T17D15719

(Model No. may contain prefix and/or suffix characters)

Catalog No : 056T17D15719

Rework No : N/A

Directives :

Low Voltage Directive 2014/35/EU

Harmonized Standards Used :

EN 60034-1: 2010 (IEC 60034-1: 2010)

EN 60034-5: 2001/A1:2007 (IEC 60034-5: 2000/A1:2006)

Authorized Representative:



Zach Stauffer
Vice President, Engineering

Authorized Representative in the Community:



Stefano Casiraghi
Technology Director, Engineering

Created on 07/08/2025

CE 25