

PRODUCT INFORMATION PACKET



Model No: 5KH49MN6057S

Catalog No: H137

General Purpose Farm Duty Motor, 1/4 HP, 1 Ph, 60 Hz, 115 V, 56 Frame, TENV



Regal and LEESON are trademarks of Regal Rexnord Corporation or one of its affiliated companies.
©2025 Regal Rexnord Corporation, All Rights Reserved. MC017097E





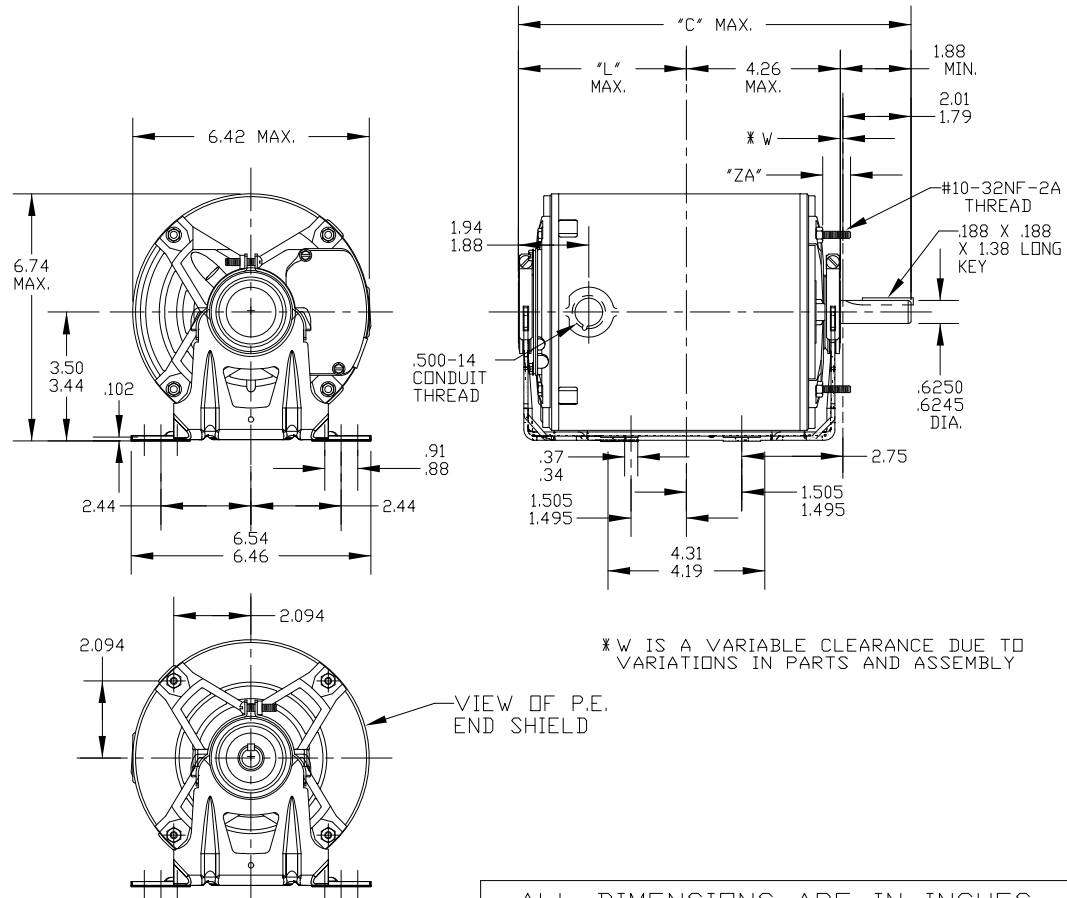
Nameplate Specifications

Phase	1	Output HP	1/4 Hp
Output KW	0.19 kW	Voltage	115 V
Speed	1140 rpm	Service Factor	1.0
Frame	56	Enclosure	Totally Enclosed Non Ventilated
Thermal Protection	Automatic	Ambient Temperature	40 °C
Frequency	60 Hz	Current	5.6 A
Power Factor	0	Duty	Continuous
Insulation Class	B	KVA Code	M
Drive End Bearing Size	6203	Opp Drive End Bearing Size	6203
UL	Recognized	CSA	Y
CE	N		

Technical Specifications

Electrical Type	Split Phase	Starting Method	Across The Line
Poles	6	Rotation	Selective Counterclockwise
Motor Orientation	Any	Drive End Bearing	Ball
Opp Drive End Bearing	Ball	Frame Material	Rolled Steel
Shaft Type	NEMA 56	Shaft Diameter	0.625 in
Outline Drawing	52A107714P4	Connection Drawing	52A105379AA

This is an uncontrolled document once printed or downloaded and is subject to change without notice. Date Created:11/13/2025



*W IS A VARIABLE CLEARANCE DUE TO VARIATIONS IN PARTS AND ASSEMBLY

ALL DIMENSIONS ARE IN INCHES

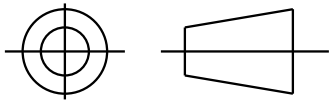
4	KH/K	49	56	10.48	4.22	.62	6.15
3	KH/K	49	56	11.48	5.22	.62	7.15
2	KH/K	46	56	10.88	4.62	.62	6.55
1	KC	46	56	10.88	4.62	.62	6.55
P	TYPE	GE SIZE	NEMA FR.	"C"	"L"	"ZA"	MIN. SHELL

4	KH/K	49	56	10.48	4.22	.62	6.15
3	KH/K	49	56	11.48	5.22	.62	7.15
2	KH/K	46	56	10.88	4.62	.62	6.55
1	KC	46	56	10.88	4.62	.62	6.55
P	TYPE	GE SIZE	NEMA FR.	"C"	"L"	"ZA"	MIN. SHELL

				TOLERANCES UNLESS SPECIFIED		Regal Beloit America, Inc.		DRAWN B.J 08/13/91			
				DEC.	INCHES			CHK			
				.X	±.1			APPD M.D.P 04/22/94			
				.XX	±.03	TITLE OUTLINE		SCALE 1=4			
6	UPDATED BASE AS PER ECR-0224925			PS	09/29/2023	SN	.XXX ±.005	GENERAL PURPOSE MOTOR TENV - BALL BEARING -RESILIENT BASE EXTENDED CLAMP SCREWS FMF - 40 FRAME REDESIGN			
5	CHG TO RBC FORMAT PER IS05-1777				03/01/06	SUDHA	.XXXX ±.0005	MAT'L.			
NO.	REVISION			BY & DATE	CHK	ANG	± 7'30"	FINISH			
THIS DRAWING IN DESIGN AND DETAIL IS OUR PROPERTY AND MUST NOT BE USED EXCEPT IN CONNECTION WITH OUR WORK ALL RIGHTS OF DESIGN AND INVENTION ARE RESERVED THIS IS AN ELECTRONICALLY GENERATED DOCUMENT - DO NOT SCALE THIS PRINT				RFP	CAD FILE 52A107714				SIZE	DRAWING NO. PAGE OF	REV.
				DIST					A	52A107714	6

SHEET 1
REV 6
52A105379AA
SIZE DRAWING NO. A

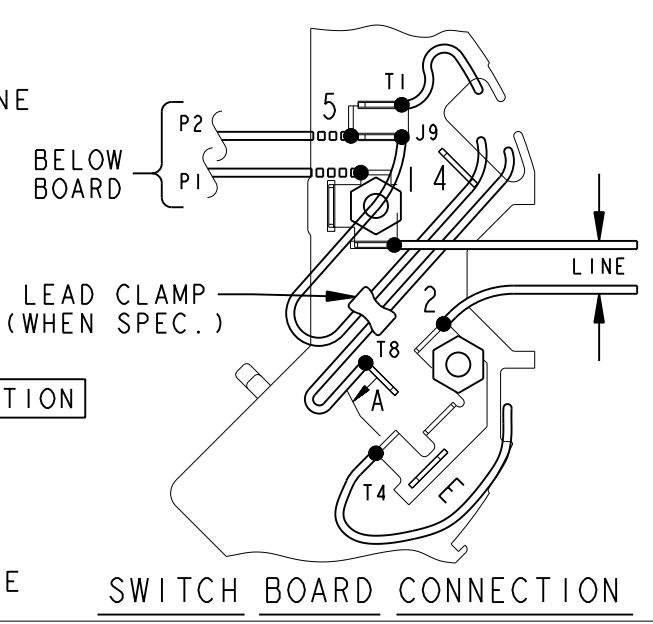
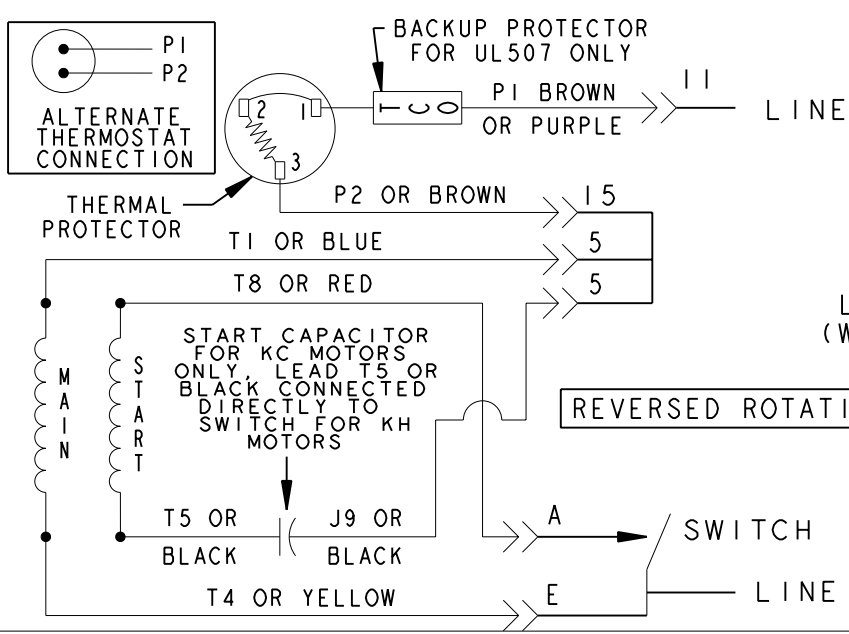
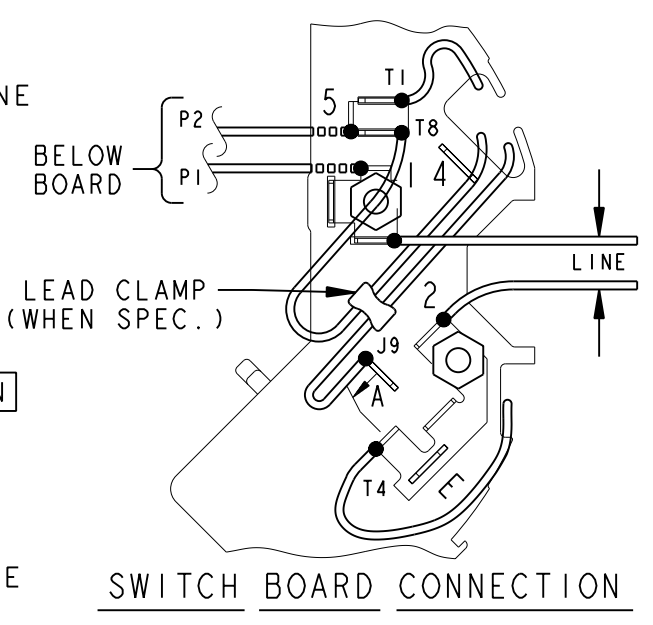
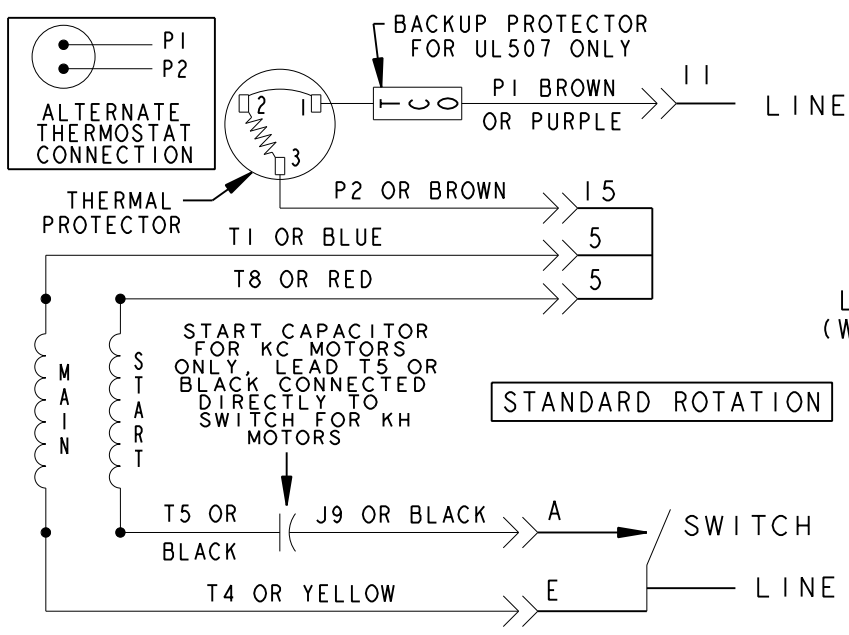
THIRD ANGLE PROJECTION



REVISIONS

REV.	DESCRIPTION	DATE	APPROVED
6	UPDATED FORMAT	12/01/05	MAM


EITHER ROTATION-SINGLE VOLTAGE-TYPE KC OR KH-WITH THERMAL PROTECTOR



NOTE #1 - TO REVERSE ROTATION INTERCHANGE RED (T8) AND BLACK (J9-KC OR T5-KH) LEADS.
NOTE #2 - WHEN MORE THAN ONE CAPACITOR IS USED CONNECT IN PARALLEL.

SWITCH (C) - 115D958AB REF. DIAG. - 121A851 CONN. LABEL - 52X332048

SIGNATURES		DATE
MODEL	M. D. PAPE	06/29/87
DETAIL	.	.
CHECKED	.	.
ENGRG	.	.
MFG	.	.
FOR ADDITIONAL INFO REFER TO:	QUALITY	.
APPLIED PRACTICES	ISSUED	M. D. P. 03/08/00
DIMENSIONS ARE IN INCHES ✓	SOLID MODEL: 52A105379AA	



REGAL-BELOIT CORPORATION

CONNECTION DIAGRAM

FMF - 30 FR SWITCH REDESIGN

SIZE DRAWING: A

SCALE: 1.000 REF. No: .

52A105379AA REV 6

SHEET 1 of 1