

PRODUCT INFORMATION PACKET



Model No: 056C17D5934
Catalog No: 056C17D5934
1,1725,DP,56,1/60/115

Regal and LEESON are trademarks of Regal Rexnord Corporation or one of its affiliated companies.
©2025 Regal Rexnord Corporation, All Rights Reserved. MC017097E





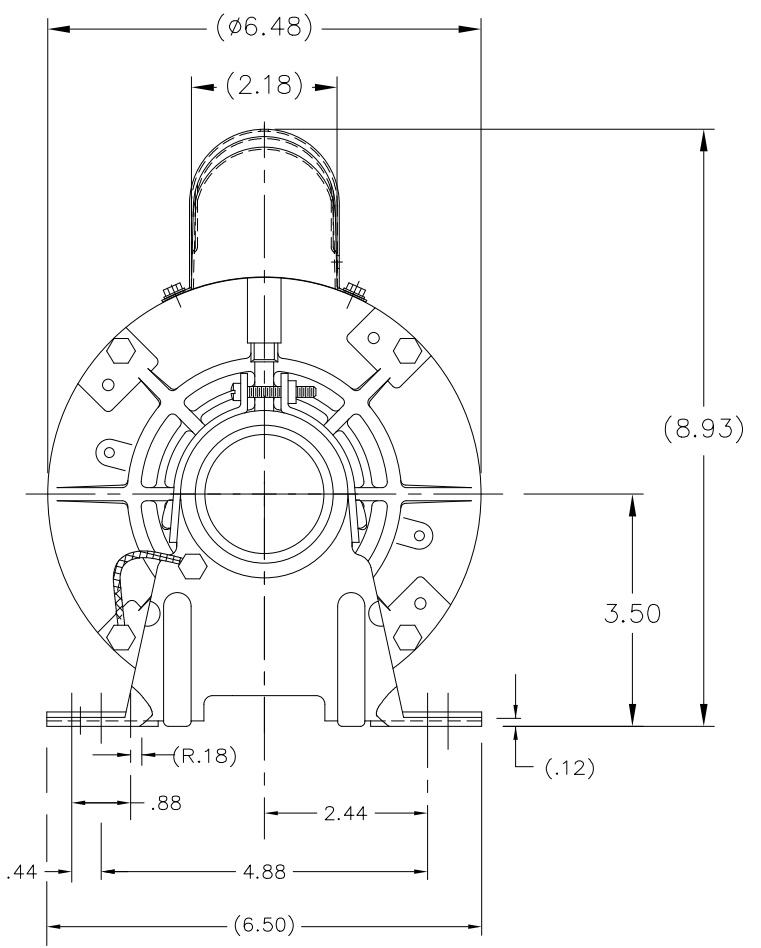
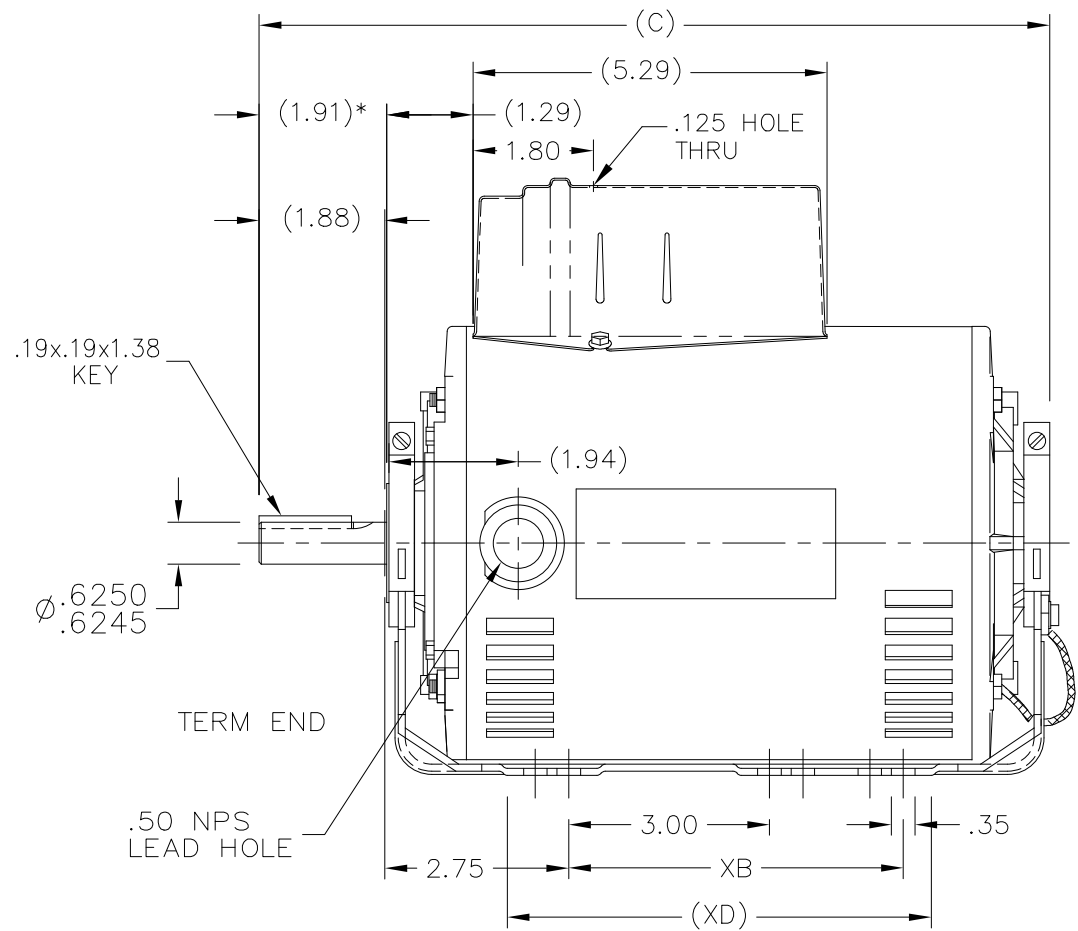
Nameplate Specifications

Phase	1	Output HP	1 Hp
Output KW	0.75 kW	Voltage	115 V
Speed	1725 rpm	Service Factor	1
Frame	56-70	Enclosure	Drip Proof
Thermal Protection	No Protection	Ambient Temperature	40 °C
Frequency	60 Hz	Current	12.5 A
Duty	Continuous	Insulation Class	B
Design Code	NO DESIGN CODE	KVA Code	H
Drive End Bearing Size	6203	Opp Drive End Bearing Size	6203
UL	Recognized	CSA	Y
IP Code	22	Number of Speeds	1

Technical Specifications

Electrical Type	Capacitor Start Induction Run	Starting Method	Across The Line
Poles	4	Rotation	Selective Counterclockwise
Mounting	Resilient Base	Motor Orientation	Horizontal
Drive End Bearing	Ball	Opp Drive End Bearing	Ball
Frame Material	Rolled Steel	Shaft Type	T
Assembly/Box Mounting	F1 ONLY		
Outline Drawing	A-105237-706	Connection Drawing	A-102005-117

This is an uncontrolled document once printed or downloaded and is subject to change without notice. Date Created:07/28/2025



* DIM. IS FROM RESIL. RING ENDCAP TO END OF SHAFT

NOTE: NAMEPLATE READ FROM LEADHOLE SIDE

DASH	FRAME	C	XB	XD
706	56-70	11.29	0	6.00

NO.	REVISION	BY & DATE	CHK	TOLERANCES UNLESS SPECIFIED		Regal Rexnord Regal Beloit America, Inc.	DRAWN NJS 10-05-2001	
				DEC.	INCHES			
4	CHD FROM MARATHON TO RRX LOGO	KVDG12-06-2024	DS	.X	±.1	TITLE OUTLINE 56 FR. - BB - DR.PR. - RESIL. MTG. MAT'L. FINISH	CHK ML 10-08-2001	
3	BASE CHANGED AS PER ECR-0224925	MP 06/20/2023	SN	.XX	±.03		APPD MJB 10-09-2001	
2	UPDATED CAPACITOR GEOMETRY CN 29400-1002	DRS 09-24-2002	ML	.XXX	±.005		SCALE 1=3	
1	NEW DRAWING MU39157	NJS 10-09-2001		.XXXX	±.0005		REF	
							FMF	
							PREV	
THIS DRAWING IN DESIGN AND DETAIL IS OUR PROPERTY AND MUST NOT BE USED EXCEPT IN CONNECTION WITH OUR WORK ALL RIGHTS OF DESIGN AND INVENTION ARE RESERVED THIS IS AN ELECTRONICALLY GENERATED DOCUMENT - DO NOT SCALE THIS PRINT				RFP	CAD FILE 105237			SIZE A
				DIST WP	3 of 4			DRAWING NO. 105237
								PAGE OF 4
								REV. 4

