

# PRODUCT INFORMATION PACKET



Model No: 056C17D11041  
Catalog No: 056C17D11041  
3/4,1725,DP,56C,3/60/115/230

Regal and LEESON are trademarks of Regal Rexnord Corporation or one of its affiliated companies.  
©2025 Regal Rexnord Corporation, All Rights Reserved. MC017097E





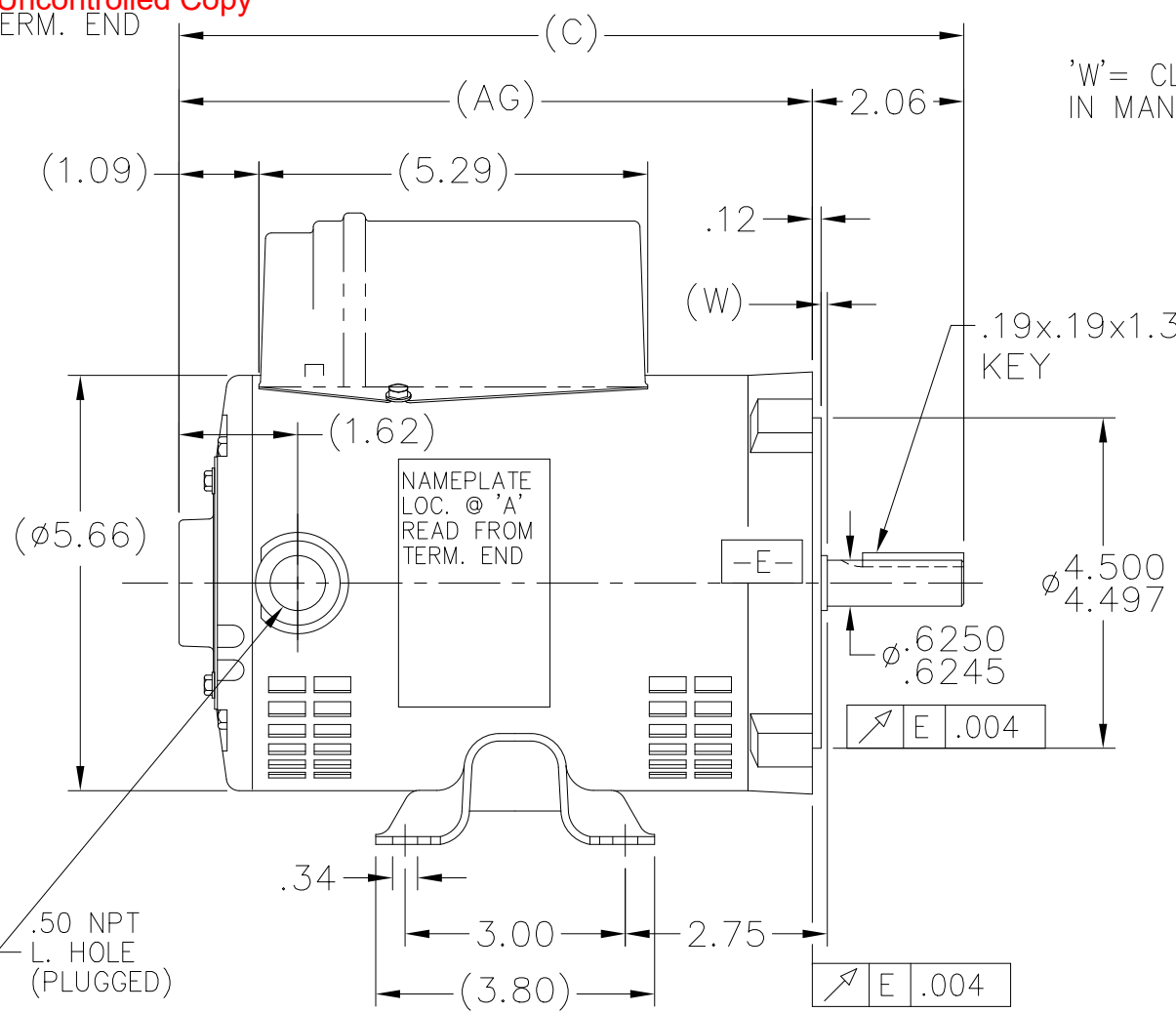
### Nameplate Specifications

Phase	1	Output HP	0.75 Hp
Output KW	0.56 kW	Voltage	115/230 V
Speed	1725 rpm	Service Factor	1.25
Frame	56C	Enclosure	Drip Proof
Thermal Protection	Manual	Efficiency	68.8 %
Ambient Temperature	40 °C	Frequency	60 Hz
Current	10.9/5.4 A	Power Factor	64.7
Duty	Continuous	Insulation Class	F
Design Code	NO DESIGN CODE	KVA Code	K
Drive End Bearing Size	6203	Opp Drive End Bearing Size	6203
UL	Recognized	CSA	Y
CE	Y	IP Code	22
Number of Speeds	1		

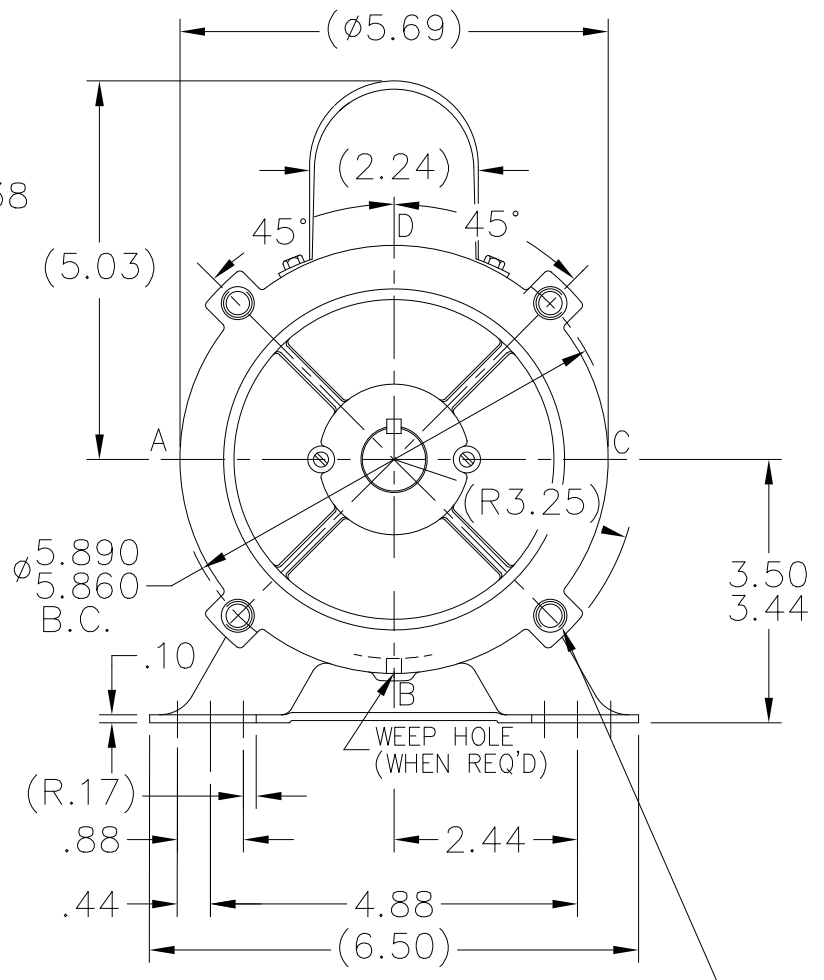
### Technical Specifications

Electrical Type	Capacitor Start Induction Run	Starting Method	Across The Line
Poles	4	Rotation	Selective Counterclockwise
Mounting	Round	Motor Orientation	Horizontal
Drive End Bearing	Ball	Opp Drive End Bearing	Ball
Frame Material	Rolled Steel	Shaft Type	T
Assembly/Box Mounting	F1 ONLY		
Outline Drawing	A-SS403706-775	Connection Drawing	A-EE9002M

This is an uncontrolled document once printed or downloaded and is subject to change without notice. Date Created:07/28/2025



'W' = CLEARANCE ALLOWED FOR ALL VARIANCES IN MANUFACTURING & ASSEMBLY



3/8-16 UNC-2B  
.56 MIN. FULL THD.  
4 HOLES

DASH	FR	C	AG	DASH	FR	C	AG	DASH	FR	C	AG
625	48	10.19	8.12	700	48	10.94	8.87	775	48	11.69	9.62
650	48	10.44	8.37	725	48	11.19	9.12				
675	48	10.69	8.62	750	48	11.44	9.37				

				TOLERANCES UNLESS SPECIFIED	
				DEC.	INCHES
				.X	±.1
				.XX	±.03
2	CHG FROM MARATHON TO RRX TEMPLATE PER ECR-0233451			MD	5/6/2024
1	VETNS AT DE ADDED. ISAAC - 09-0211			NB	1/19/2009
NO.	REVISION			CHK	ANG ±7'30"



Regal Beloit America, Inc.

TITLE OUTLINE

MAT'L.

FINISH

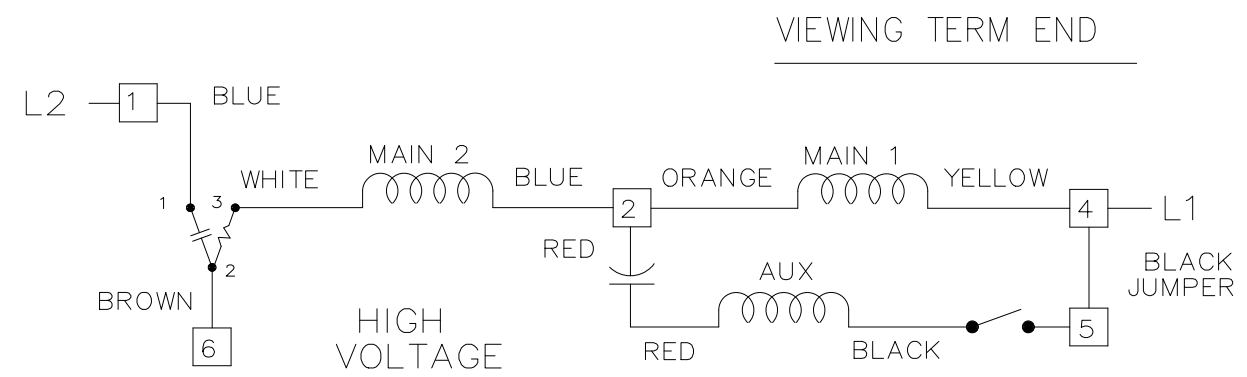
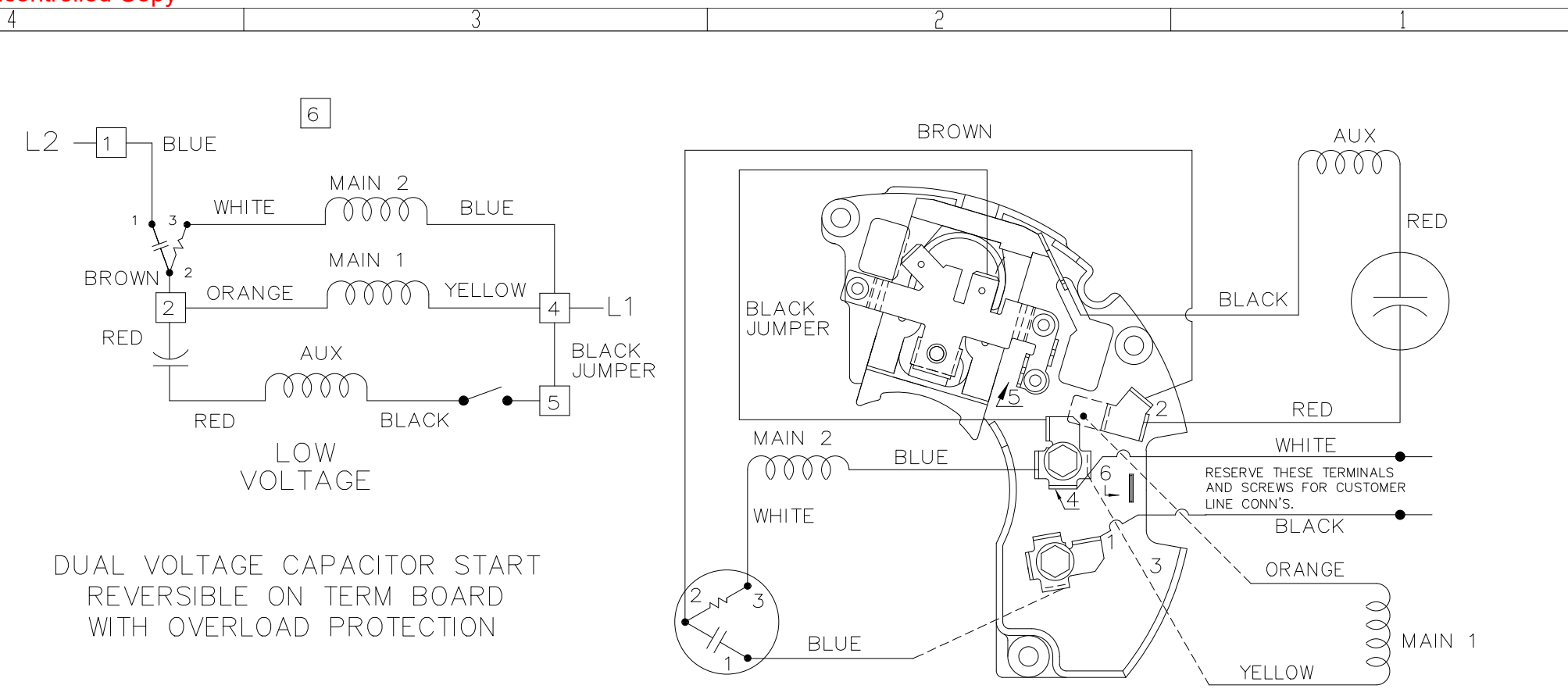
DRAWN	RAD 04-29-2008
CHK	RAD 04-29-2008
APPD	
SCALE	3=8
REF	SS75667
FMF	MU85336
PREV	

THIS DRAWING IN DESIGN AND DETAIL IS OUR PROPERTY AND MUST NOT BE USED EXCEPT IN CONNECTION WITH OUR WORK ALL RIGHTS OF DESIGN AND INVENTION ARE RESERVED THIS IS AN ELECTRONICALLY GENERATED DOCUMENT - DO NOT SCALE THIS PRINT

RFP	04-29-2008
DIST	WP

CAD FILE SS403706

SIZE	DRAWING NO.	PAGE	1 OF 1	REV.
A	SS403706			2



FOR HIGH VOLTAGE  
CONNECT BROWN TERM 2 TO TERM 6.  
CONNECT BLUE TERM 4 TO TERM 2.

TO REVERSE ROTATION EITHER  
VOLTAGE INTERCHANGE RED  
LEAD WITH BLACK LEAD.

DRAWING REVISION 4	REVISION BY KVDG	REV DATE/ DATE 05/06/2025	TOLERANCES (EXCEPT AS NOTED): DEC. .X ±0.1 [±3] ANGLE ±0.5° .XX ±0.01 [±0.3] .XXX ±0.005 [±0.13] .XXXX ±0.0005 [±0.013]	DRAWN BY BW	Regal Beloit America, Inc.
REQUEST NUMBER ECR-0242555	APPROVED BY DS	DATE 05/06/2025	REMOVE BURRS & BREAK SHARP EDGES: .003/.015 [.08/.38] X 45 CORNER FILLETS: R.02 [.5] MACHINED SURFACES: 125/ 3.2 INCH mm DIMENSIONS IN [BRACKETS] ARE FOR REFERENCE ONLY	DATE 02-22-1990	
REQUEST NUMBER DESCRIPTION UPDATED THE DRAWING TO RRX TEMPLATE.				APPROVED BY GK	DESCRIPTION CONNECTION DIAGRAM 48 FR. - DUAL VOLTAGE REVERSIBLE
COPYRIGHT (PER REVISION DATE) REGAL BELOIT AMERICA, INC. ALL RIGHTS RESERVED. PROPRIETARY AND CONFIDENTIAL INFORMATION - THIS DOCUMENT IS THE PROPERTY OF REGAL BELOIT AMERICA, INC. (OWNER) AND CONTAINS OWNER'S PROPRIETARY INFORMATION. ANY PERSON, CORPORATION OR OTHER FIRM RECEIVING IT IS DEEMED, BY RECEIVING IT, TO AGREE THAT IT, AND/OR ANY PART OF IT, SHALL NOT BE DISCLOSED TO ANY PERSON, CORPORATION OR OTHER ENTITY, DUPLICATED, AND/OR USED, EXCEPT AS EXPRESSLY APPROVED IN WRITING IN ADVANCE BY OWNER. THIS DOCUMENT SHALL BE RETURNED TO OWNER UPON REQUEST. IT MAY BE SUBJECT TO CERTAIN RESTRICTIONS UNDER APPLICABLE EXPORT CONTROL LAWS AND REGULATIONS.				DATE 02-22-1990	MAT'L
			THIRD ANGLE PROJECTION	SIZE B	DRAWING NUMBER EE9002M

## EC Declaration of Conformity

The undersigned representing  
the manufacturer:

Regal Beloit America  
1946 West Cook Road  
Fort Wayne, IN 46818

and the authorized representative  
established within the Community:

Regal Beloit Italy  
Via Modena, 18  
24040 Ciserano(BG) - Italy

are committed to providing customers with products that comply with applicable regulations and international protocols to which they are subject, including the requirements of the European Parliament Directive on the Harmonization of the laws relating to electrical equipment designed for use within certain voltage limits (2014/35/EU).

Regal Beloit America declares that the following product(s), to which this declaration relates, are in conformity with the relevant sections of the EC standards listed below.

This statement supersedes any statements previously issued pertaining to the product(s) listed below and is subject to change without notice.

Model No : 056C17D11041

(Model No. may contain prefix and/or suffix characters)

Catalog No : 056C17D11041

Rework No : N/A

Directives :

Low Voltage Directive 2014/35/EU

Harmonized Standards Used :

EN 60034-1: 2010 (IEC 60034-1: 2010)

EN 60034-5: 2001/A1:2007 (IEC 60034-5: 2000/A1:2006)

Authorized Representative:



Zach Stauffer  
Vice President, Engineering

Authorized Representative in the Community:



Stefano Casiraghi  
Technology Director, Engineering

Created on 07/08/2025

**CE 25**