

PRODUCT INFORMATION PACKET



Model No: 056B17DRR70063A1
Catalog No: EG271B
General Purpose Motor

Regal and LEESON are trademarks of Regal Rexnord Corporation or one of its affiliated companies.
©2025 Regal Rexnord Corporation, All Rights Reserved. MC017097E





Nameplate Specifications

Technical Specifications

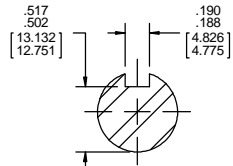
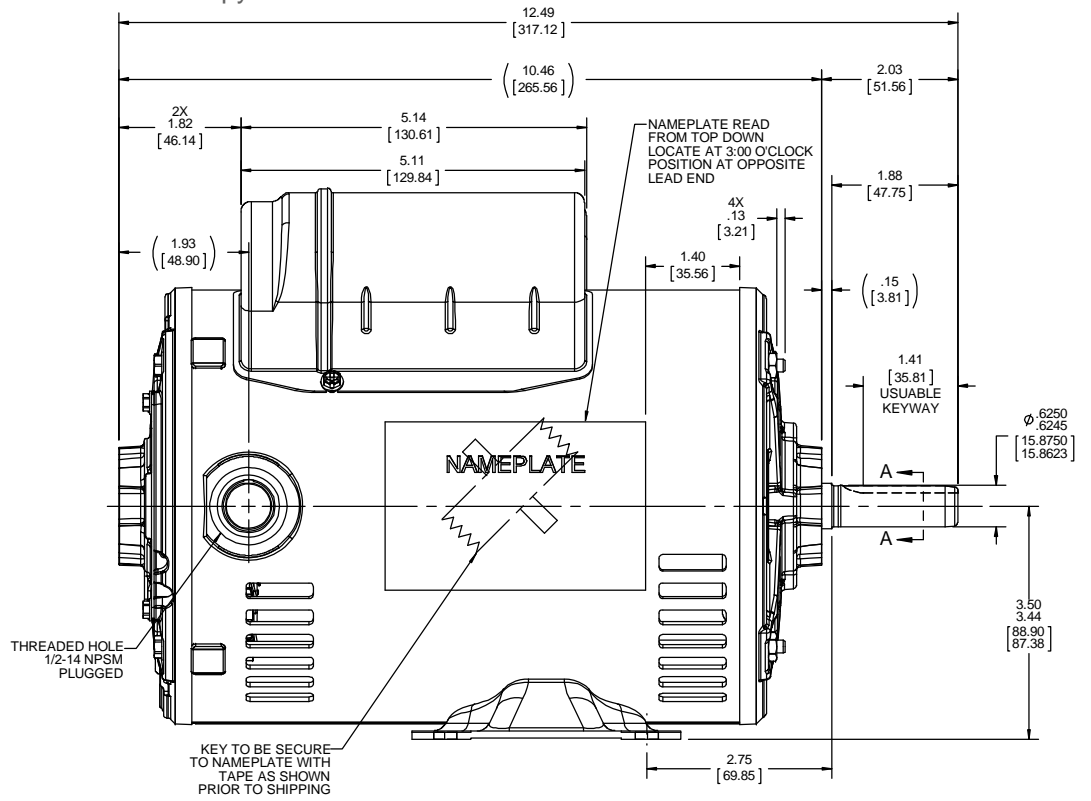
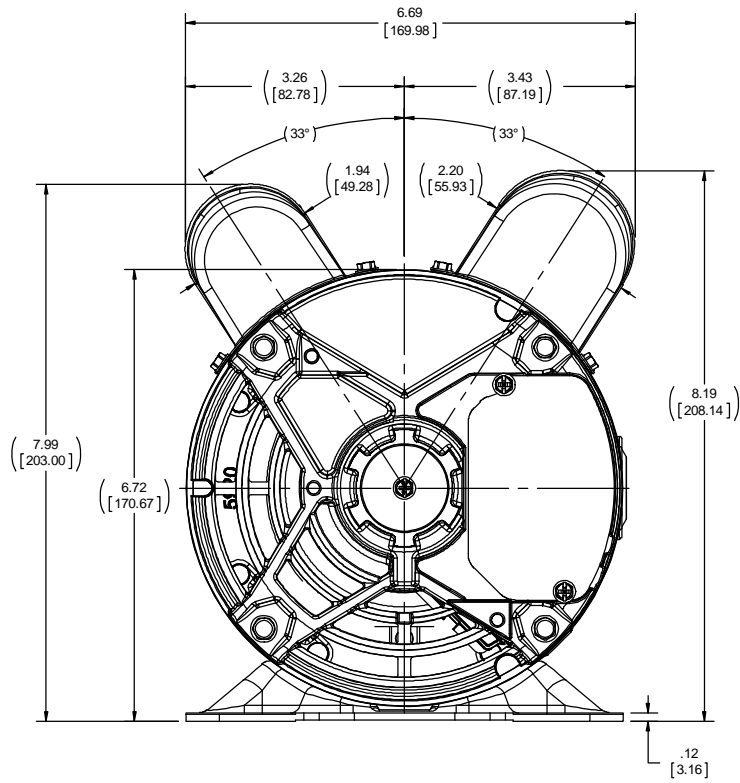
Outline Drawing

OL56100502-001

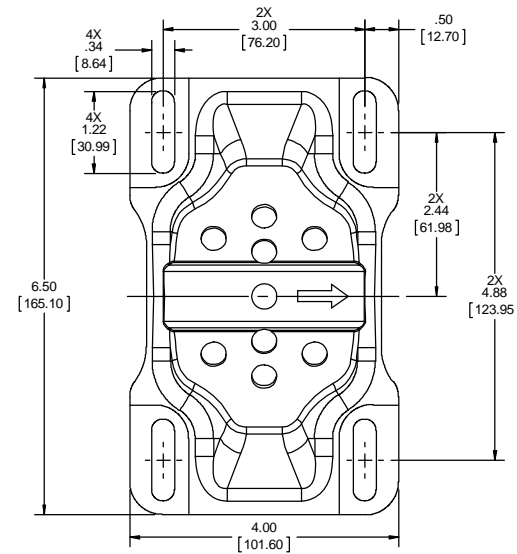
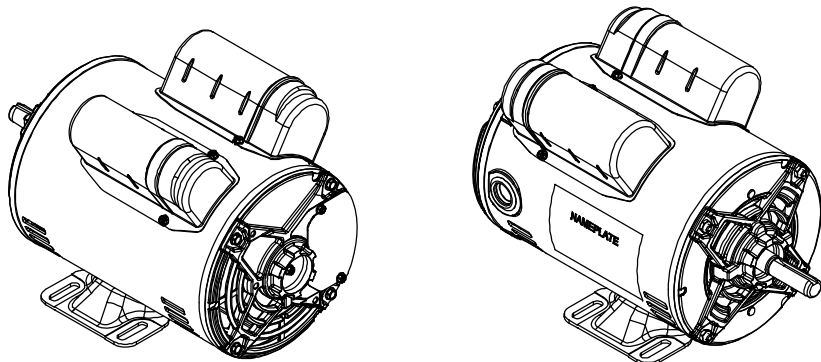
Connection Drawing

CDBD102

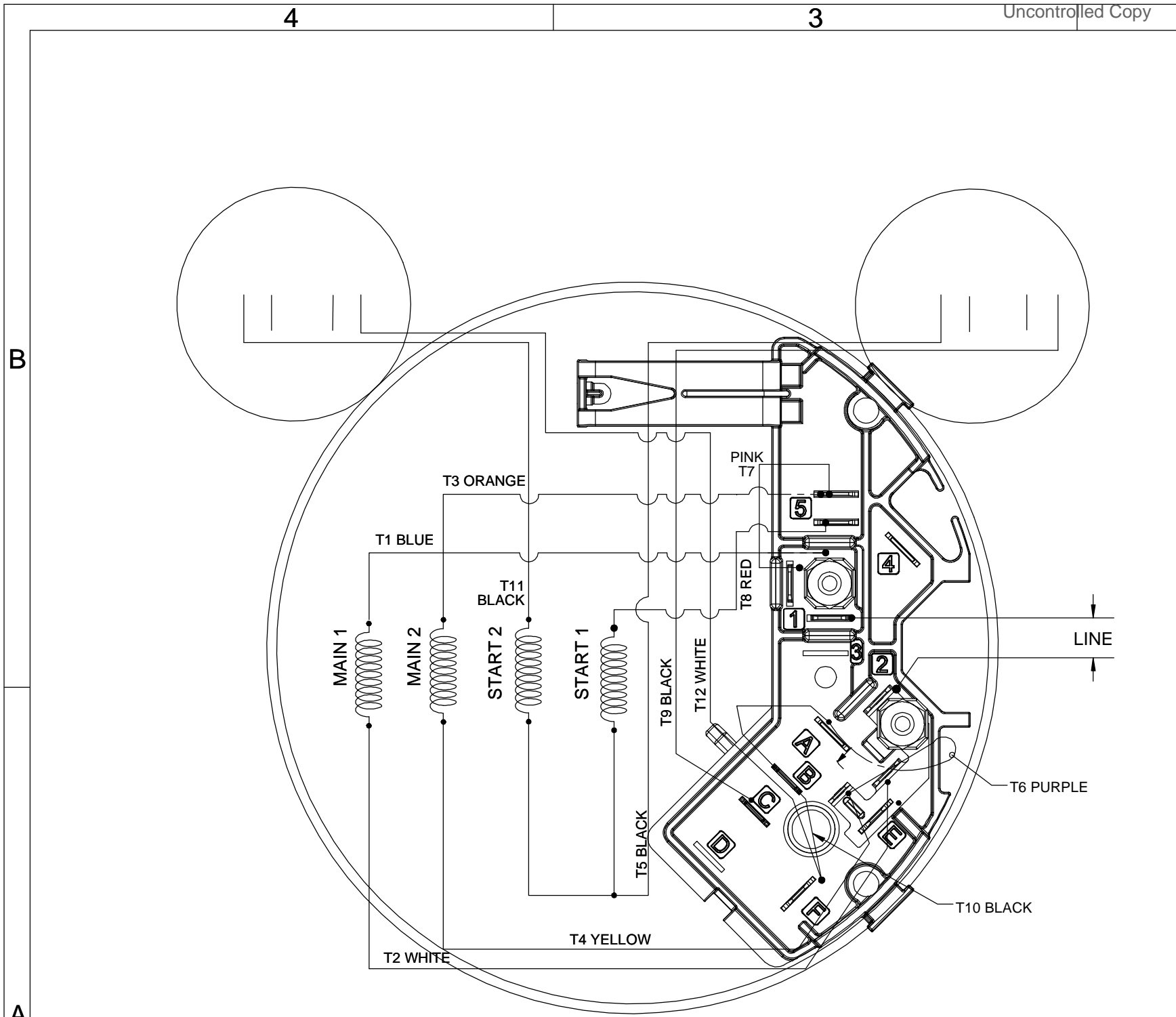
This is an uncontrolled document once printed or downloaded and is subject to change without notice. Date Created:07/28/2025



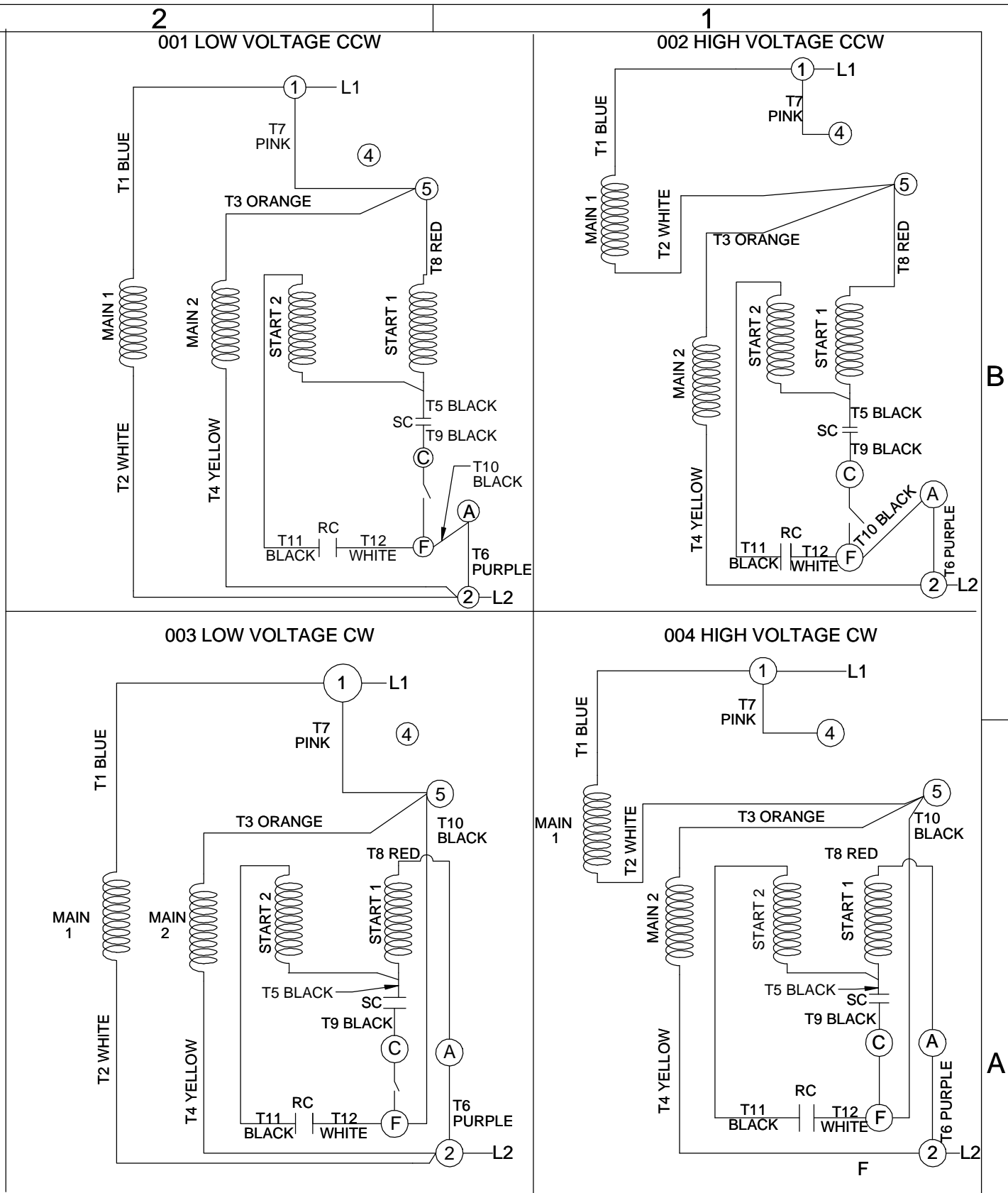
SECTION A-A



DRAWING REVISION B	REVISION BY KB	DATE 10/26/18	TOLERANCES UNLESS OTHERWISE SPECIFIED: DEC. INCH mm ANGLE .X .X ±0.1 [±2.5] 30.5° .XX ±0.03 [±0.76] .XXX ±0.005 [±0.127] .XXXX ±0.0005 [±0.0127] REMOVE BURRS & BREAK SHARP EDGES. .0031 [0.0787] X 45° CORNER FILLETS: R.02 [51] MACHINED SURFACES: .125 / 3.2 INCH/ mm SHOWN IN [BRACKETS]	DRAWN BY D. SURYAWANSHI	Regal Beloit America, Inc.
ECO ECO-0155470	APPROVED BY SN	DATE 10/26/18	DATE 07/19/2018	DESCRIPTION OUTLINE 56FR,ODP,1-PHASE,RIGID	
UPDATED MOTOR ASSEMBLY <small>COPYRIGHT REGAL BELOIT AMERICA, INC. ALL RIGHTS RESERVED. PROPRIETARY AND CONFIDENTIAL INFORMATION. THIS DOCUMENT IS THE PROPERTY OF REGAL BELOIT AMERICA, INC. FORMERLY AND CONTAINS OWNERS PROPRIETARY INFORMATION. ANY PERSON, CORPORATION OR OTHER FIRM RECEIVING IT IS DEMAND BY RECEIVING IT, TO AGREE THAT IT, AND ANY PART OF IT, SHALL NOT BE DISCLOSED TO ANY PERSON, CORPORATION OR OTHER ENTITY, DUPLICATED, AND/OR USED, EXCEPT AS EXPRESSLY APPROVED IN WRITING IN ADVANCE BY OWNER. THIS DOCUMENT SHALL BE RETURNED TO OWNER UPON REQUEST. IT MAY BE SUBJECT TO CERTAIN RESTRICTIONS UNDER APPLICABLE EXPORT CONTROL LAWS AND REGULATIONS.</small>			APPROVED BY PVR	PROCESS/FINISH	
REFERENCE OL56100502			DATE 07/19/2018	MATERIAL	SHEET 1 OF 1
THIRD ANGLE PROJECTION			SIZE C	DRAWING NUMBER OL56100502-001	



CCW/CW ROTATION-CAP START AND CAP RUN DUAL VOLTAGE NO PROTECTOR



NOTES:

- FOR HI VOLTAGE REMOVE T7 FROM TERMINAL #5 AND PLACE ON TERMINAL #4, REMOVE T2 FROM TERMINAL #2 AND PLACE ON TERMINAL #5
- TO REVERSE ROTATION, INTERCHANGE T8 & T10.
- SWITCH REF. 10003283-001-001.
- CONN. DIAGRAM NAMEPLATE DD10065-001, T No's, -002, Colors with T No's.

DRAWING REVISION D	REVISION BY SHESHI	DATE 10/26/2018
ECO ECO-0155470	APPROVED BY CD	DATE 10/28/2018
ECO DESCRIPTION 10003283-001-001 SWITCH WAS 10003285-001-001		
<small>COPYRIGHT REGAL BELOIT AMERICA, INC. ALL RIGHTS RESERVED. PROPRIETARY AND CONFIDENTIAL INFORMATION - THIS DOCUMENT IS THE PROPERTY OF REGAL BELOIT AMERICA, INC. ("OWNER") AND CONTAINS OWNER'S PROPRIETARY INFORMATION. ANY PERSON, CORPORATION OR OTHER FIRM RECEIVING IT IS DEEMED, BY RECEIVING IT, TO AGREE THAT IT, AND/OR ANY PART OF IT, SHALL NOT BE DISCLOSED TO ANY PERSON, CORPORATION OR OTHER ENTITY, DUPLICATED, AND/OR USED, EXCEPT AS EXPRESSLY APPROVED IN WRITING IN ADVANCE BY OWNER. THIS DOCUMENT SHALL BE RETURNED TO OWNER UPON REQUEST. IT MAY BE SUBJECT TO CERTAIN RESTRICTIONS UNDER APPLICABLE EXPORT CONTROL LAWS AND REGULATIONS.</small>		

TOLERANCES UNLESS OTHERWISE SPECIFIED:		
DEC.	INCH	mm
.X	±0.1	[±2.5]
.XX	±0.01	[±0.25]
.XXX	±0.005	[±0.127]
.XXXX	±0.0005	[±0.0127]
REMOVE BURRS & BREAK SHARP EDGES: .003/.015 [.076/.381] CORNER FILLETS: .02 [.51] MACHINED SURFACES: 125 INCH 3.2 mm		

DRAWN BY G. RODRIGUEZ	DATE 01-18-2017
APPROVED BY E. MARTINEZ	DATE 01-18-2017
REFERENCE CDD102	THIRD ANGLE PROJECTION

Regal Beloit America, Inc.	
DESCRIPTION CONN DIAGRAM-EXTERNAL	
MATERIAL	PROCESS/FINISH
SIZE B	DRAWING NUMBER CDBD102
SHEET 1 OF 1	