

# PRODUCT INFORMATION PACKET



Model No: 056B11DRR70002A1  
Catalog No: C178B  
General Purpose Motor

Regal and LEESON are trademarks of Regal Rexnord Corporation or one of its affiliated companies.  
©2025 Regal Rexnord Corporation, All Rights Reserved. MC017097E





## Nameplate Specifications

## Technical Specifications

Connection Drawing

CDBD102

Outline Drawing

OL56100782-001

---

This is an uncontrolled document once printed or downloaded and is subject to change without notice. Date Created:07/28/2025

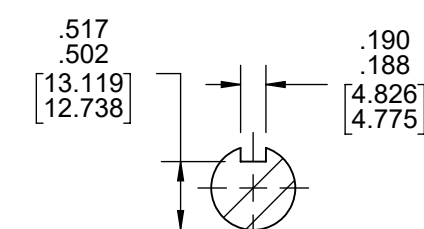
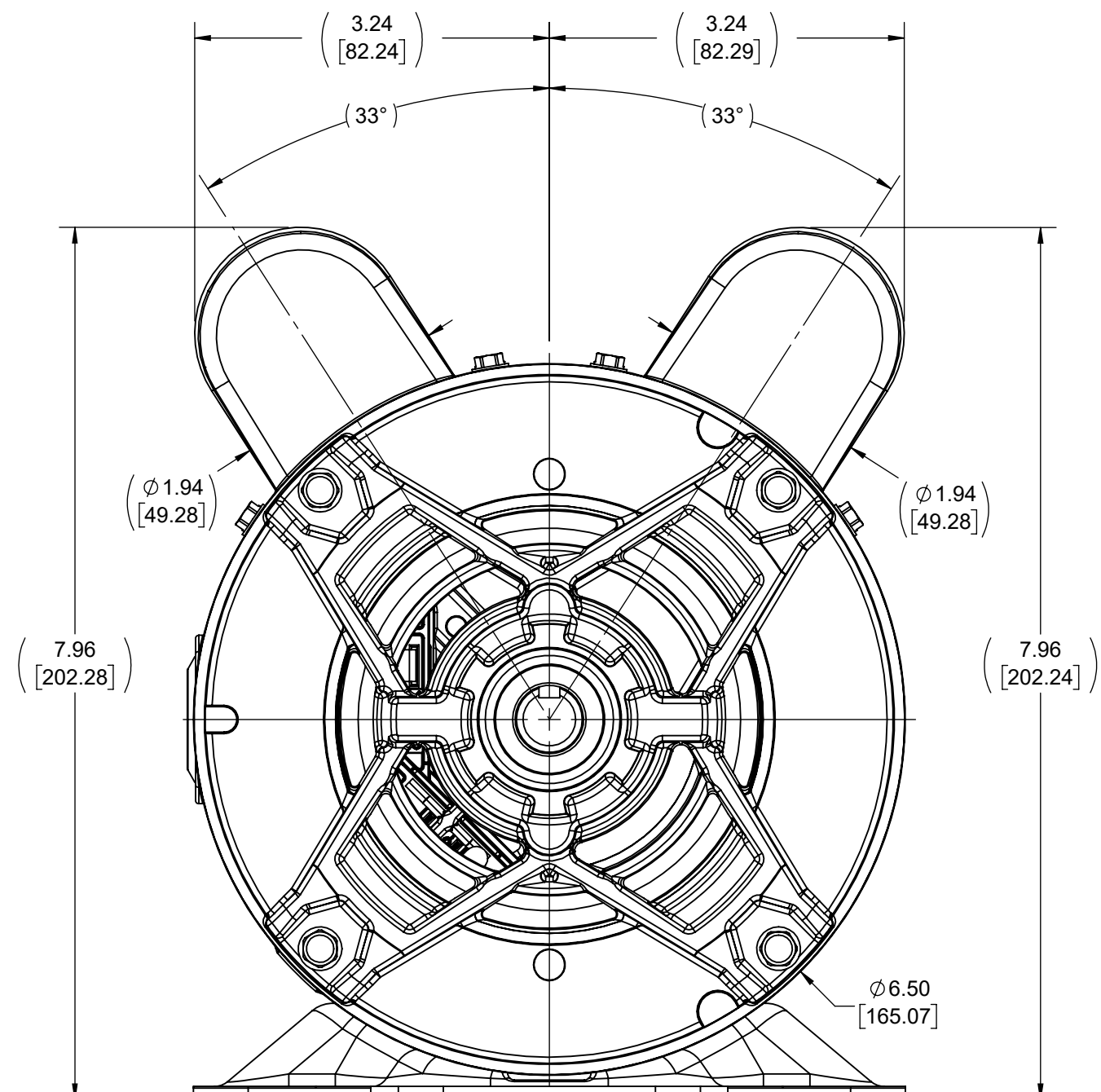
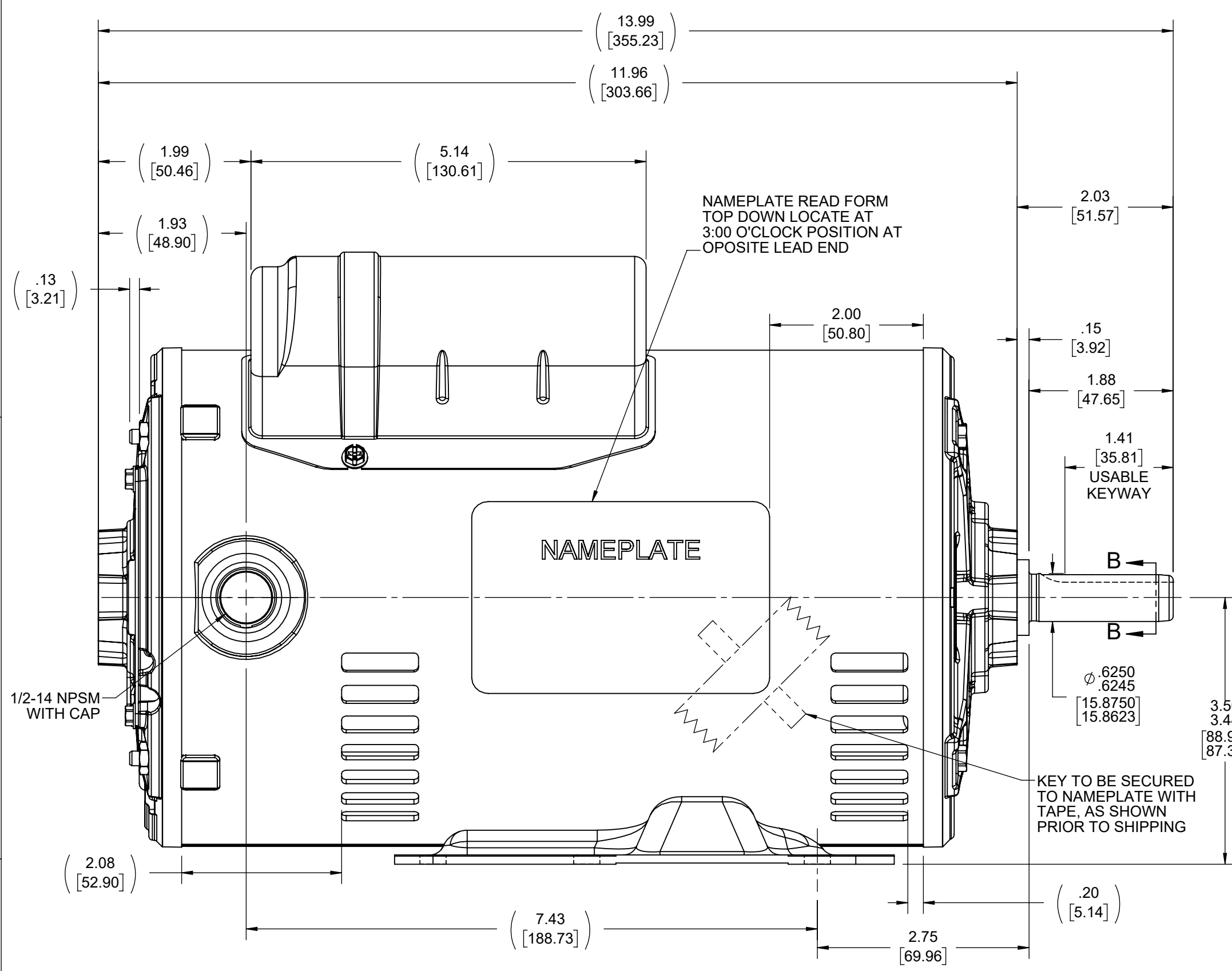
4 3 2 1

D

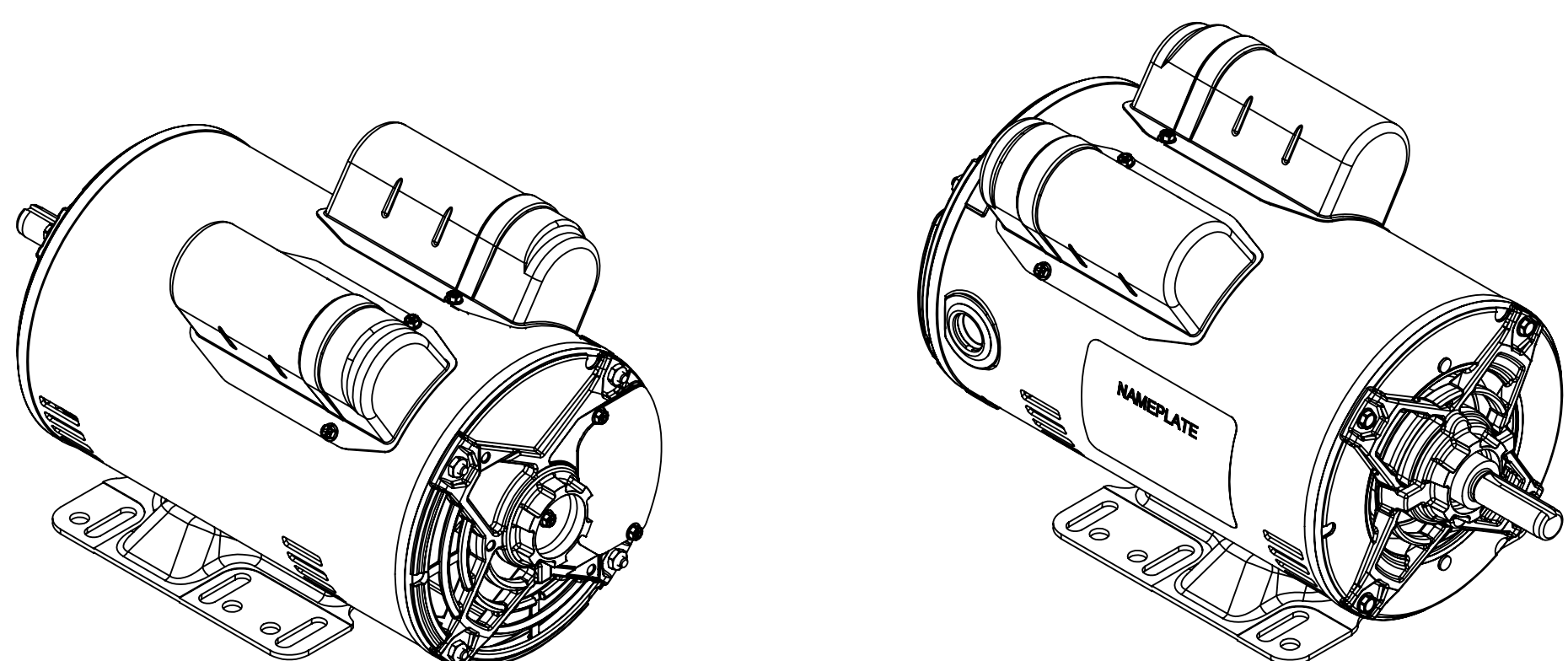
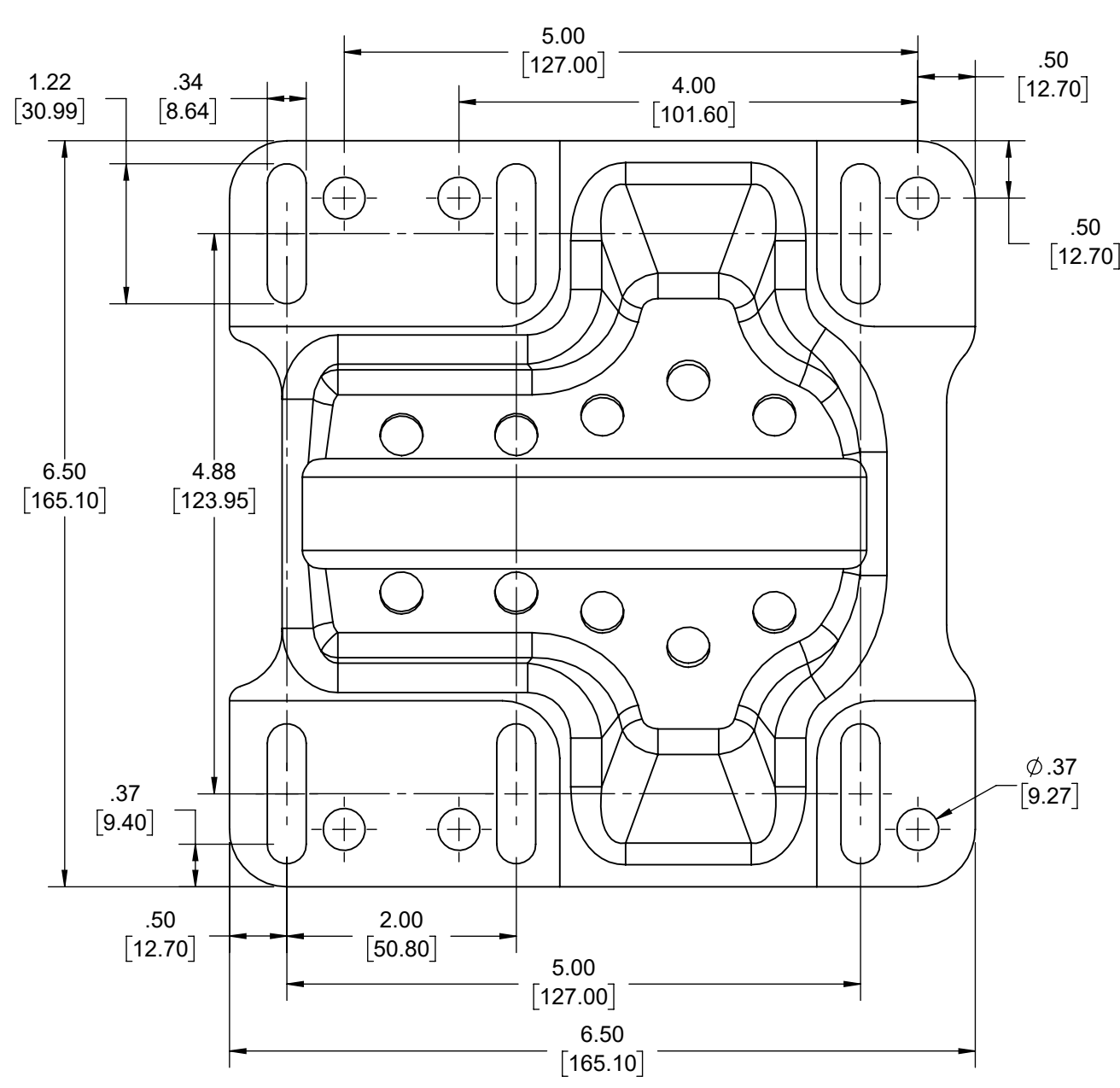
C

B

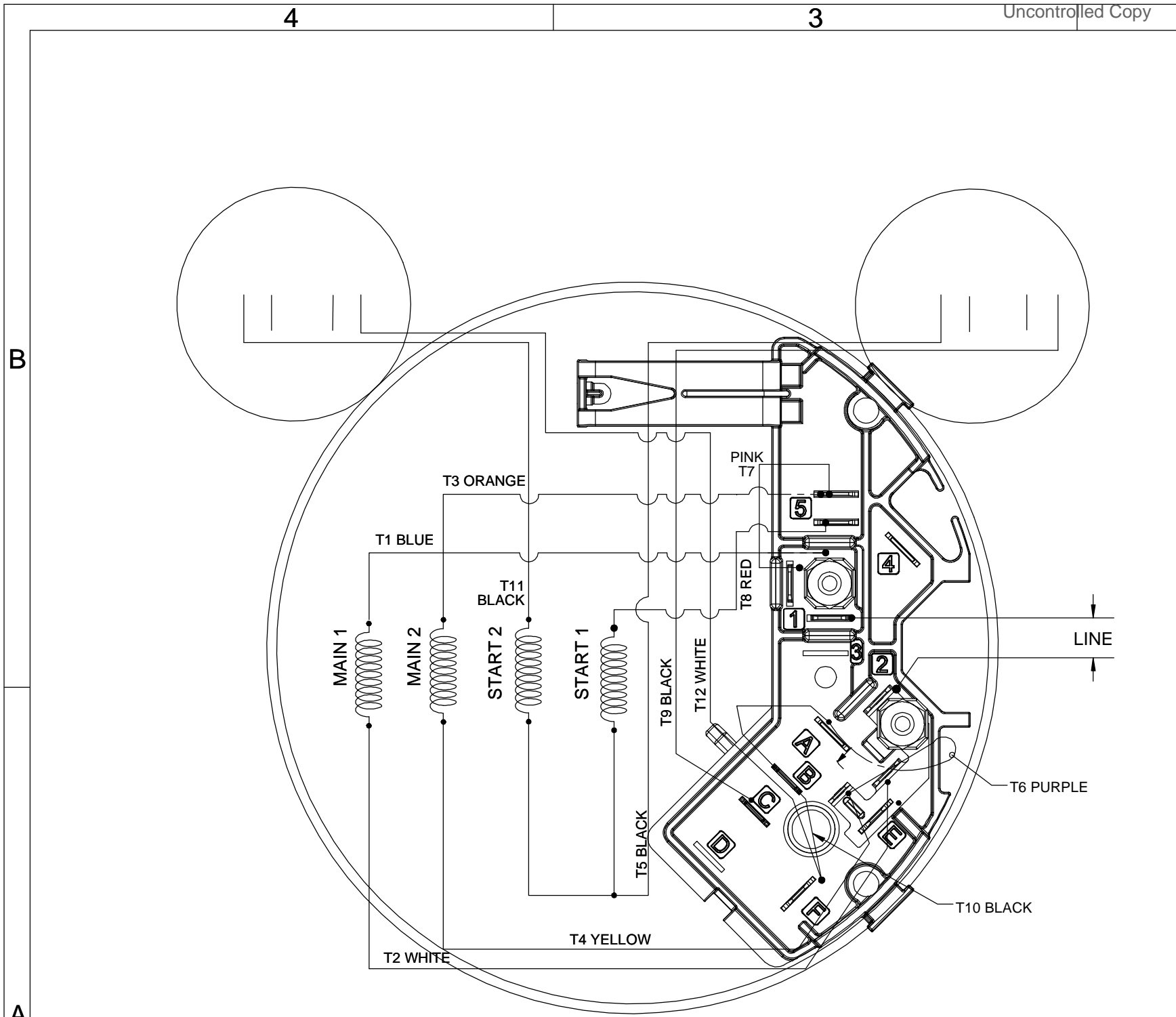
A



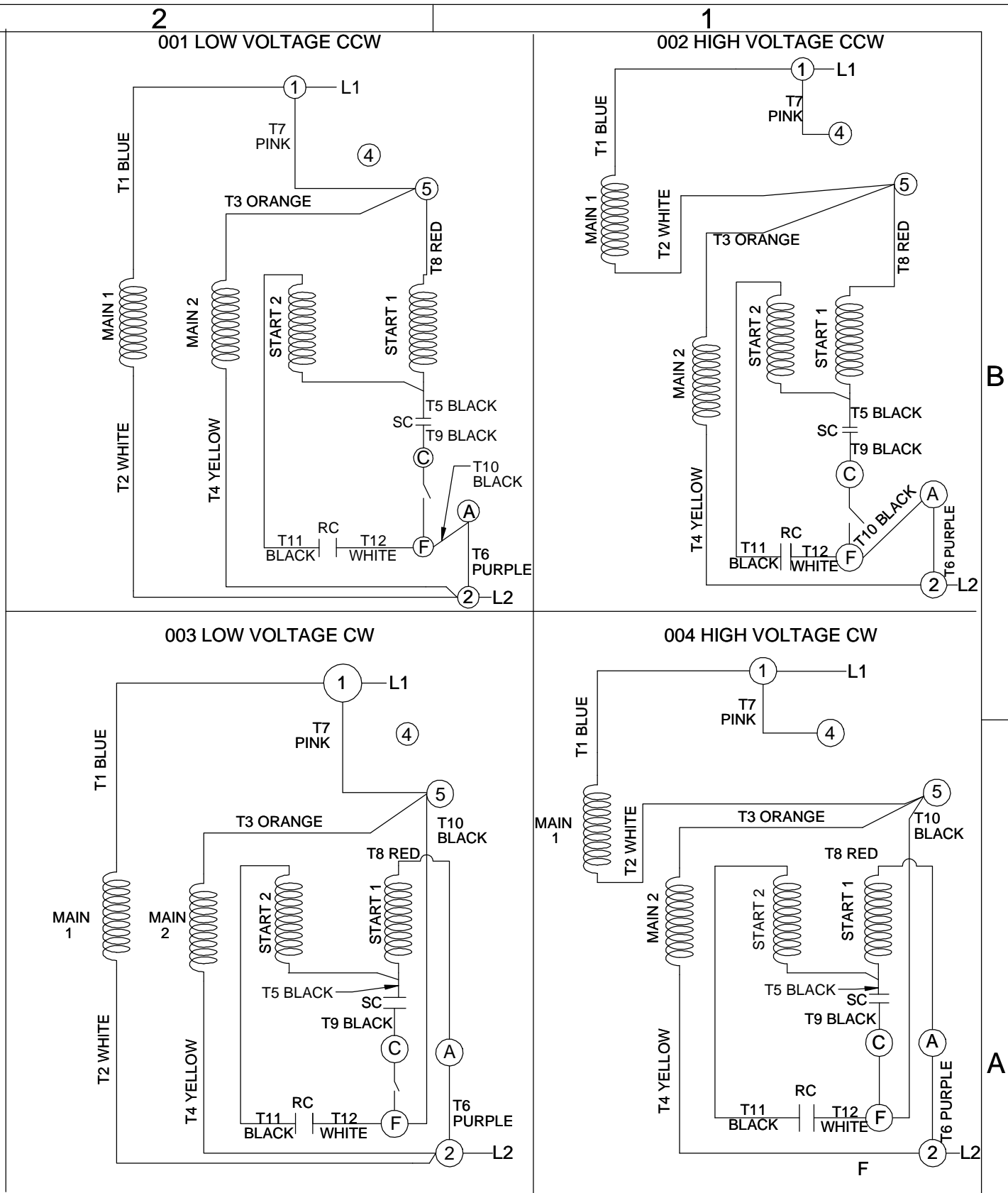
SECTION B-B



DRAWING REVISION A	REVISION BY	DATE	TOLERANCES UNLESS OTHERWISE SPECIFIED:	DRAWN BY SHESHI	Regal Beloit America, Inc.
ECO	APPROVED BY	DATE	DEC. INCH mm ANGLE .X ±0.1 [±2.5] .XX ±0.03 [±0.76] XXX ±0.005 [±0.127] XXXX ±0.0005 [±0.0127]	DATE 01/28/2021	
ECO DESCRIPTION NEW DRAWING			REMOVE BURRS & BREAK SHARP EDGES: .003/.015 [0.076/.381] X 45° CORNER FILLETS: R.02 [51] MACHINED SURFACES: .125 INCH 3.2 mm SHOWN IN [BRACKETS]	APPROVED BY D.SURYAWANSHI	DESCRIPTION OUTLINE 56FR, DP, 1-PHASE
<small>COPYRIGHT REGAL BELOIT AMERICA, INC. ALL RIGHTS RESERVED. PROPRIETARY AND CONFIDENTIAL INFORMATION - THIS DOCUMENT IS THE PROPERTY OF REGAL BELOIT AMERICA, INC. ("OWNER") AND CONTAINS OWNER'S PROPRIETARY INFORMATION. ANY PERSON, CORPORATION OR OTHER FIRM RECEIVING IT IS DEEMED, BY RECEIVING IT, TO AGREE THAT IT, AND/OR ANY PART OF IT, SHALL NOT BE DISCLOSED TO ANY PERSON, CORPORATION OR OTHER ENTITY, DUPLICATED, AND/OR USED, EXCEPT AS EXPRESSLY APPROVED IN WRITING IN ADVANCE BY OWNER. THIS DOCUMENT SHALL BE RETURNED TO OWNER UPON REQUEST. IT MAY BE SUBJECT TO CERTAIN RESTRICTIONS UNDER APPLICABLE EXPORT CONTROL LAWS AND REGULATIONS.</small>			REFERENCE OL56100225	DATE 01/28/2021	MATERIAL
			THIRD ANGLE PROJECTION	SIZE C	PROCESS/FINISH
				DRAWING NUMBER OL56100782-001	SHEET 1 OF 1



CCW/CW ROTATION-CAP START AND CAP RUN DUAL VOLTAGE NO PROTECTOR



NOTES:

- FOR HI VOLTAGE REMOVE T7 FROM TERMINAL #5 AND PLACE ON TERMINAL #4, REMOVE T2 FROM TERMINAL #2 AND PLACE ON TERMINAL #5
- TO REVERSE ROTATION, INTERCHANGE T8 & T10.
- SWITCH REF. 10003283-001-001.
- CONN. DIAGRAM NAMEPLATE DD10065-001, T No's, -002, Colors with T No's.

DRAWING REVISION D	REVISION BY SHESHI	DATE 10/26/2018
ECO ECO-0155470	APPROVED BY CD	DATE 10/28/2018
ECO DESCRIPTION 10003283-001-001 SWITCH WAS 10003285-001-001		
<small>COPYRIGHT REGAL BELOIT AMERICA, INC. ALL RIGHTS RESERVED.                  PROPRIETARY AND CONFIDENTIAL INFORMATION - THIS DOCUMENT IS THE PROPERTY OF                  REGAL BELOIT AMERICA, INC. ("OWNER") AND CONTAINS OWNER'S PROPRIETARY                  INFORMATION. ANY PERSON, CORPORATION OR OTHER FIRM RECEIVING IT IS DEEMED,                  BY RECEIVING IT, TO AGREE THAT IT, AND/OR ANY PART OF IT, SHALL NOT BE DISCLOSED                  TO ANY PERSON, CORPORATION OR OTHER ENTITY, DUPLICATED, AND/OR USED, EXCEPT                  AS EXPRESSLY APPROVED IN WRITING IN ADVANCE BY OWNER. THIS DOCUMENT SHALL                  BE RETURNED TO OWNER UPON REQUEST. IT MAY BE SUBJECT TO CERTAIN                  RESTRICTIONS UNDER APPLICABLE EXPORT CONTROL LAWS AND REGULATIONS.</small>		

TOLERANCES UNLESS OTHERWISE SPECIFIED:		
DEC.	INCH	mm
.X	±0.1	[±2.5]
.XX	±0.01	[±0.25]
.XXX	±0.005	[±0.127]
.XXXX	±0.0005	[±0.0127]
REMOVE BURRS & BREAK SHARP EDGES: .003/.015 [.076/.381] CORNER FILLETS: .02 [.51] MACHINED SURFACES: 125 INCH 3.2 mm		

DRAWN BY G. RODRIGUEZ	DATE 01-18-2017
APPROVED BY E. MARTINEZ	DATE 01-18-2017
REFERENCE CDD102	THIRD ANGLE PROJECTION

Regal Beloit America, Inc.	
DESCRIPTION CONN DIAGRAM-EXTERNAL	
MATERIAL	PROCESS/FINISH
SIZE B	DRAWING NUMBER CDBD102
SHEET 1 OF 1	