

# PRODUCT INFORMATION PACKET



Model No: 5KH42GN0337

Catalog No: HG143

General Purpose Farm Duty Motor, 1/2 HP, 1 Ph, 60 Hz, 115 V, 56 Frame, TENV



Regal and LEESON are trademarks of Regal Rexnord Corporation or one of its affiliated companies.

©2025 Regal Rexnord Corporation, All Rights Reserved. MC017097E





**Nameplate Specifications**

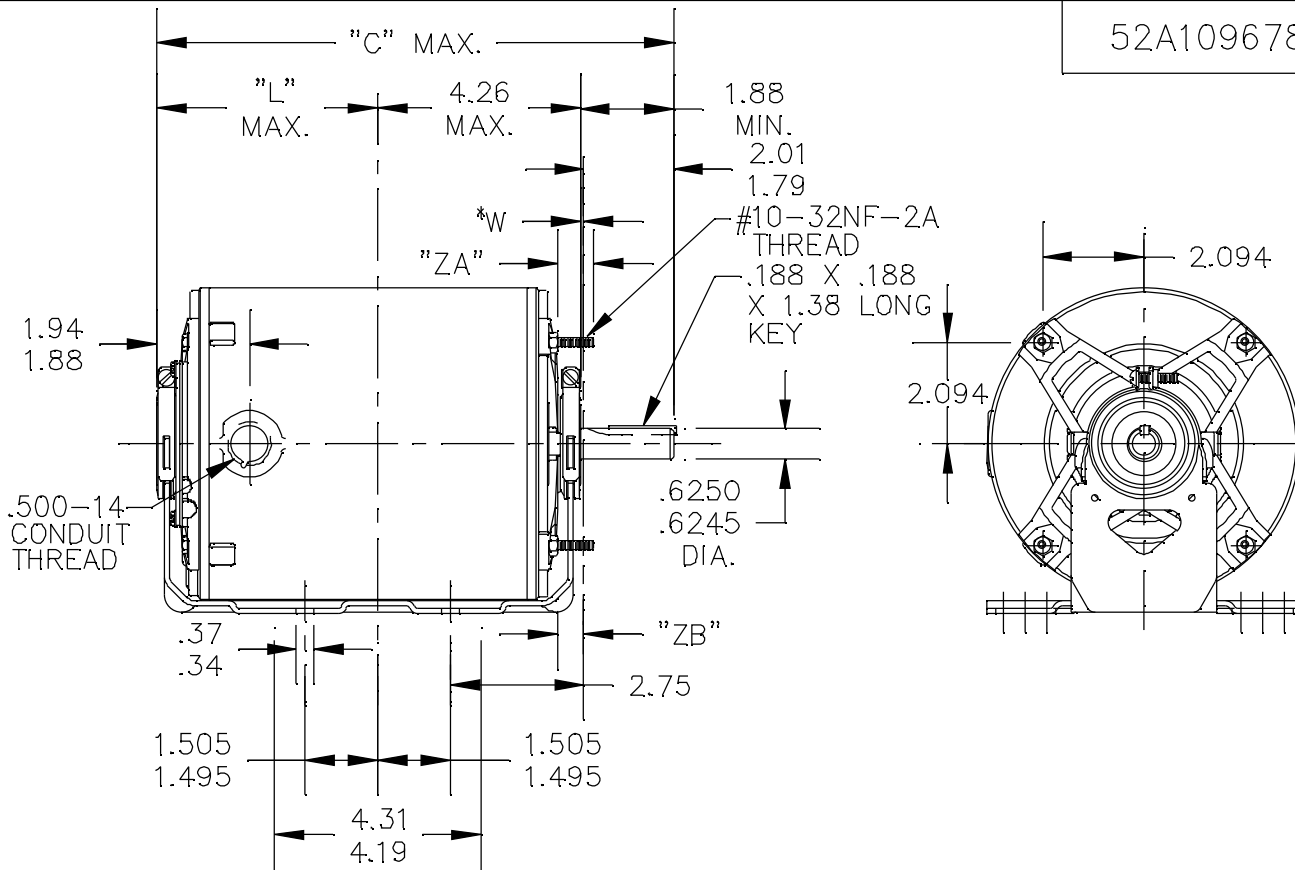
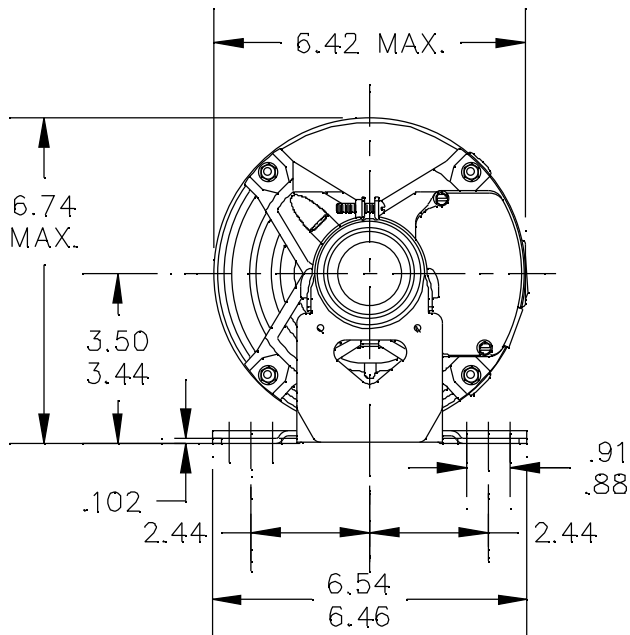
Phase	1	Output HP	1/2 Hp
Output KW	0.37 kW	Voltage	115 V
Speed	1725 rpm	Service Factor	1.25
Frame	56	Enclosure	Totally Enclosed Non Ventilated
Thermal Protection	No Protection	Ambient Temperature	40 °C
Frequency	60 Hz	Current	8.0 A
Power Factor	0	Duty	Continuous
Insulation Class	B	KVA Code	S
Drive End Bearing Size	6203	Opp Drive End Bearing Size	6203
UL	Recognized	CSA	Y
CE	N		

**Technical Specifications**

Electrical Type	Split Phase	Starting Method	Across The Line
Poles	4	Rotation	Selective Counterclockwise
Motor Orientation	Any	Drive End Bearing	Ball
Opp Drive End Bearing	Ball	Frame Material	Rolled Steel
Shaft Type	NEMA 56	Shaft Diameter	0.625 in
Connection Drawing	52A105377AA	Outline Drawing	52A109678P1

This is an uncontrolled document once printed or downloaded and is subject to change without notice. Date Created:11/13/2025


52A109678



\*W IS A VARIABLE CLEARANCE DUE TO VARIATIONS IN PARTS AND ASSEMBLY

ALL DIMENSIONS ARE IN INCHES

2	KH	46	56	10.88	4.62	.62	.51/.44		6.55
1	K	42	56	10.05	3.79	.62	.51/.44		5.72
P	TYPE	RBC SIZE	NEMA FR.	"C"	"L"	"ZA"	"ZB"		MIN. SHELL

				TOLERANCES UNLESS SPECIFIED		 <b>REGAL-BELOIT CORPORATION</b>		DRAWN M.D.P 09/08/94	
				DEC.	INCHES			CHK	
4	REDRAWN IN DRAFT SIGHT NO CHANGES	PVR	10/16/12	PKG	.X	±0.1	TITLE OUTLINE TENV - RESILIENT BASE EXTENDED CLAMP SCREWS		APPD M.D.P 09/08/94
3	ADDED PART #2 PER DS10-0176	AB	02/26/10		.XX	±0.02			SCALE 1=1
2	CHG TO RBC FORMAT PER IS05-1777	SUDHA	3/23/06		.XXX	±0.005			REF
1	ADDED DIM. "ZB"	M.A.M09	20/94		.XXXX	±0.0005	MAT'L	FMF	
NO.	REVISION	BY & DATE	CHK	ANG	±1.0	FINISH		PREV	

THIS DRAWING IN DESIGN AND DETAIL IS OUR PROPERTY AND MUST NOT BE USED EXCEPT IN CONNECTION WITH OUR WORK ALL RIGHTS OF DESIGN AND INVENTION ARE RESERVED THIS IS AN ELECTRONICALLY GENERATED DOCUMENT - DO NOT SCALE THIS PRINT

RFP	CAD FILE	52A109678	SIZE	DRAWING NO.	REV.
DIST			A	52A109678	4

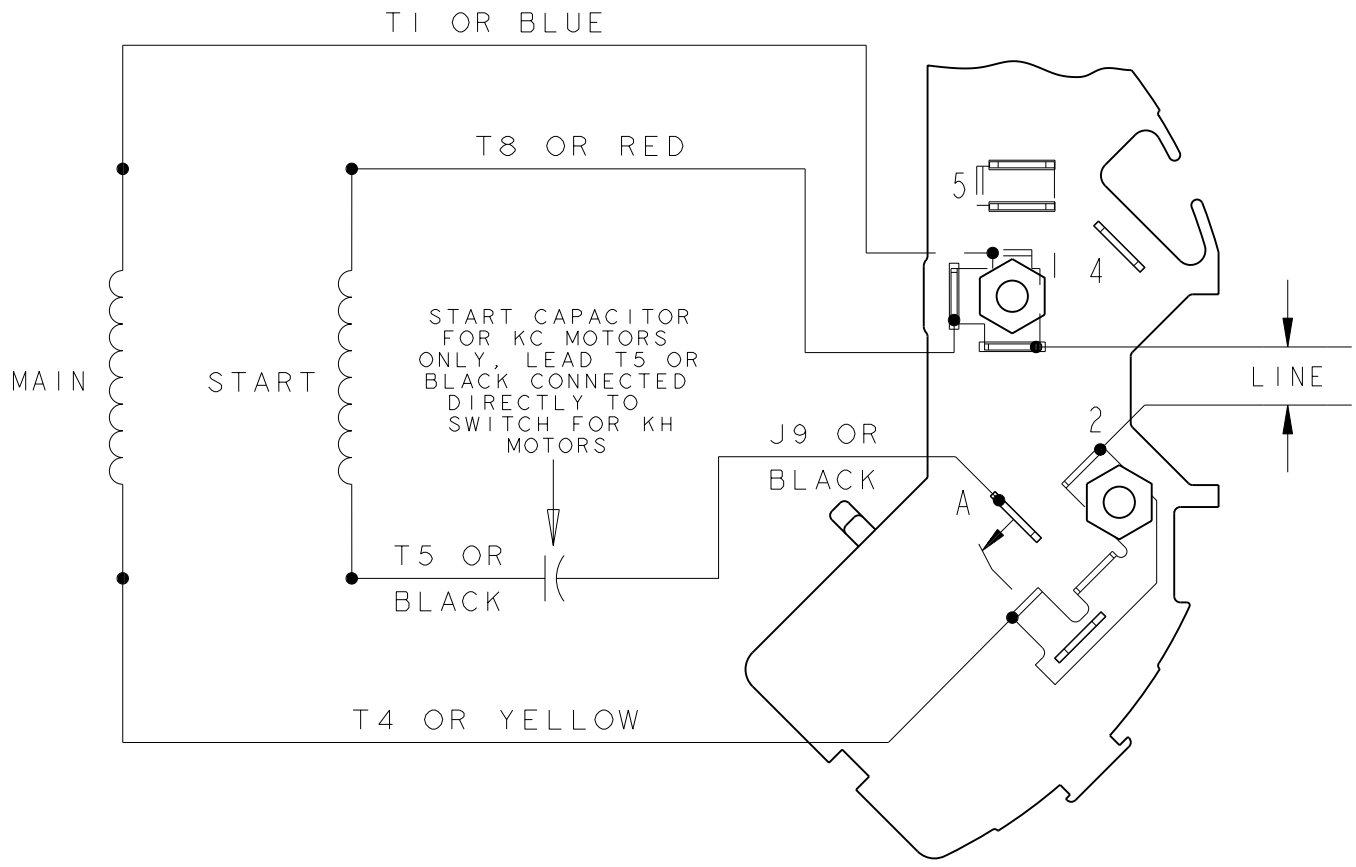


SHEET —	THIRD ANGLE PROJECTION	REVISIONS			
		REV.	DESCRIPTION	DATE	APPROVED
REV 1		I	UPDATED FORMAT	11/10/05	MAM

52A105377AA 1

SIZE DRAWING NO. A

EITHER ROTATION - SINGLE VOLTAGE  
TYPE KC, OR KH



NOTE #1 - TO REVERSE ROTATION INTERCHANGE BLACK (T5-KH OR J9-KC) AND RED (T8) LEADS.

NOTE #2 - WHEN MORE THAN ONE CAPACITOR IS USED CONNECT IN PARALLEL.

REF. DIAG. - 121A850		SWITCH (C) - 115D958AB	
CONNECTION LABEL - 52X332047			
SIGNATURES	DATE	<p><b>REGAL-BELOIT CORPORATION</b></p> <p><b>CONNECTION DIAGRAM</b></p> <p><b>FMF: 30 FRAME SWITCH REDESIGN</b></p>	
MODEL M.D. PAPE	06/29/87		
DETAIL	.		
CHECKED	.		
ENGRG	.		
MFG	.		
FOR ADDITIONAL INFO REFER TO:	QUALITY	SIZE	DRAWING
APPLIED PRACTICES	ISSUED M.D.P. 06/29/87	A	
DIMENSIONS ARE IN INCHES ✓	SOLID MODEL: 52A105377AA	SCALE: 1.000	REF. No: .
MATERIAL			SHEET 1 of 1

