

### Features

- Showerhead features transitional nature-inspired design
- 1.5 gpm (5.7 lpm) showerhead flow rate
- Spray nozzles cover full area of 3-9/16" (90 mm) sprayhead
- Full coverage spray produces an encompassing spray ideal for everyday use
- MasterClean™ sprayface features an easy-to-clean surface that withstands mineral buildup and maximizes spray performance
- This product can help a building earn Water Efficiency points in LEED® Green Building Rating System

### Material

- KOHLER finishes resist corrosion and tarnishing

### Installation

- Shower arm and flange sold separately
- Wall-mount
- 1/2" -14 NPT connection

### Recommended Products/Accessories

- K-7395 Shower Arm and Flange
- K-7397 Shower Arm and Flange



### Codes/Standards



- ASME A112.18.1/CSA B125.1
- DOE - Energy Policy Act 1992
- EPA WaterSense®
- California Energy Commission (CEC)
- NOM Standards
- NOM 008-CONAGUA

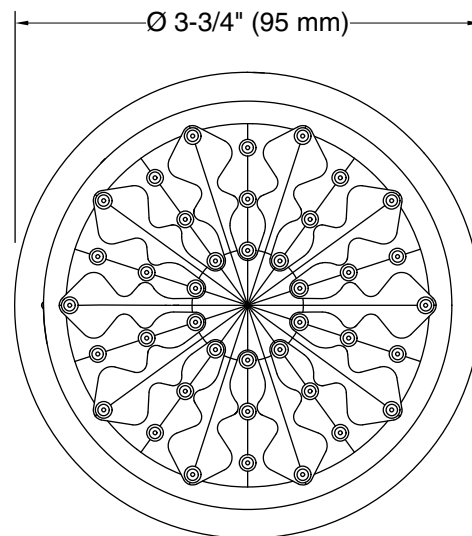
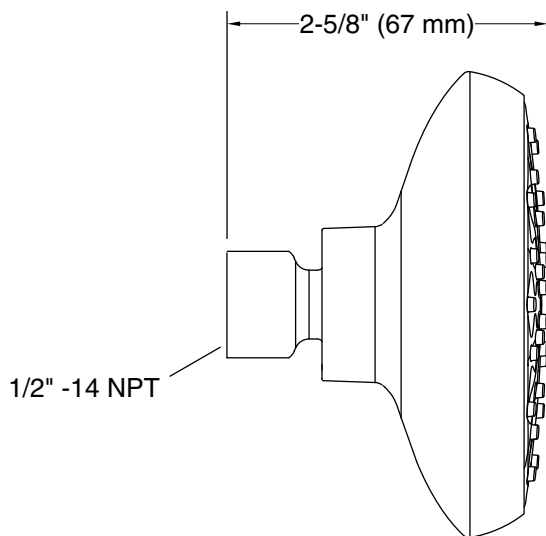
### KOHLER® Faucet Lifetime Limited Warranty

See website for detailed warranty information.

### Available Colors/Finishes

*Color tiles intended for reference only.*

| Color   | Code | Description             |
|---|------|-------------------------|
|  | CP   | Polished Chrome         |
|  | BN   | Vibrant® Brushed Nickel |



**Technical Information**

All product dimensions are nominal.

**Spout:**

Shower/Rainhead rated max flow: 1.5 gal/min (5.7 l/min)

**Notes**

Install this product according to the installation instructions.