

Features

- Quarter-turn washerless ceramic disc valves
- 5-3/16" (132 mm) spout reach
- Vandal-resistant aerated flow
- Wristblade lever handle
- Less drain
- 1.0 gal/min (3.8 l/m) maximum flow rate at 60 psi (4.14 bar).

Material

- Brass
- Brass valve bodies



ADA

CSA B651

OBC

Codes/Standards

ASME A112.18.1/CSA B125.1
NSF/ANSI/CAN 61
NSF/ANSI/CAN 372
DOE - Energy Policy Act 1992
EPA WaterSense®
ADA
ICC/ANSI A117.1
CSA B651
OBC

KOHLER® One-Year Limited Warranty

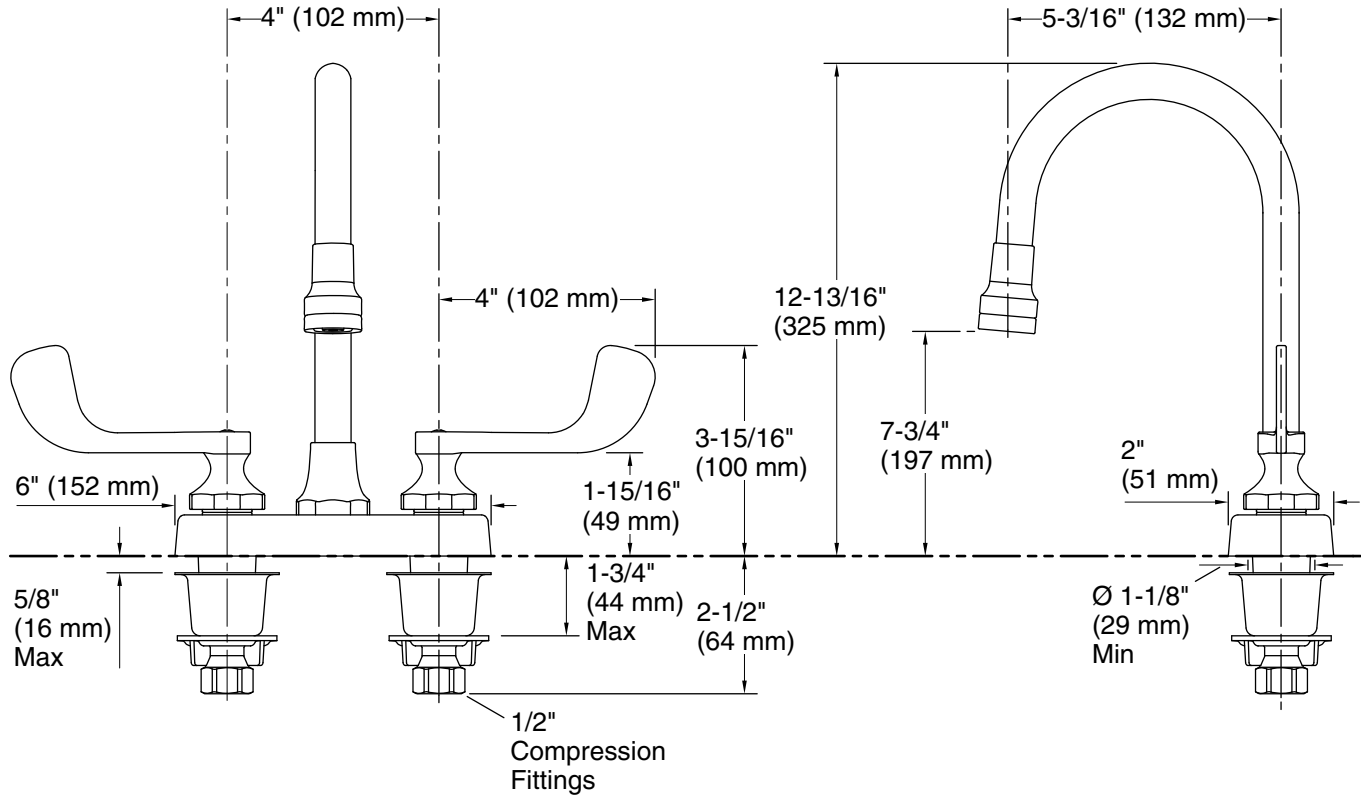
See website for detailed warranty information.

Available Colors/Finishes

Color tiles intended for reference only.

Color	Code	Description
-------	------	-------------

	CP	Polished Chrome
---	----	-----------------



Technical Information

All product dimensions are nominal.

Faucet flow rate: 1 gal/min (3.8 l/min)

Spout:

Spout reach: 5-3/16" (132 mm)

Notes

Install this product according to the installation guide.

ADA compliant for handles only.

ADA, OBC, CSA B651 compliant when installed to the specific requirements of these regulations.