

Features

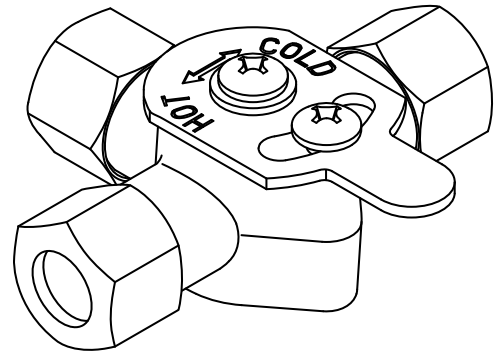
- Single lever design with lock screw
- Built-in check valves prevent migration of hot water to cold and cold water to hot water piping
- Complies with the Safe Drinking Water Act (SDWA)

Material

- Solid-brass construction for durability and reliability

Installation

- Installs easily between the stop valves and faucet



Codes/Standards

NSF/ANSI/CAN 61
NSF/ANSI/CAN 372

KOHLER® One-Year Limited Warranty

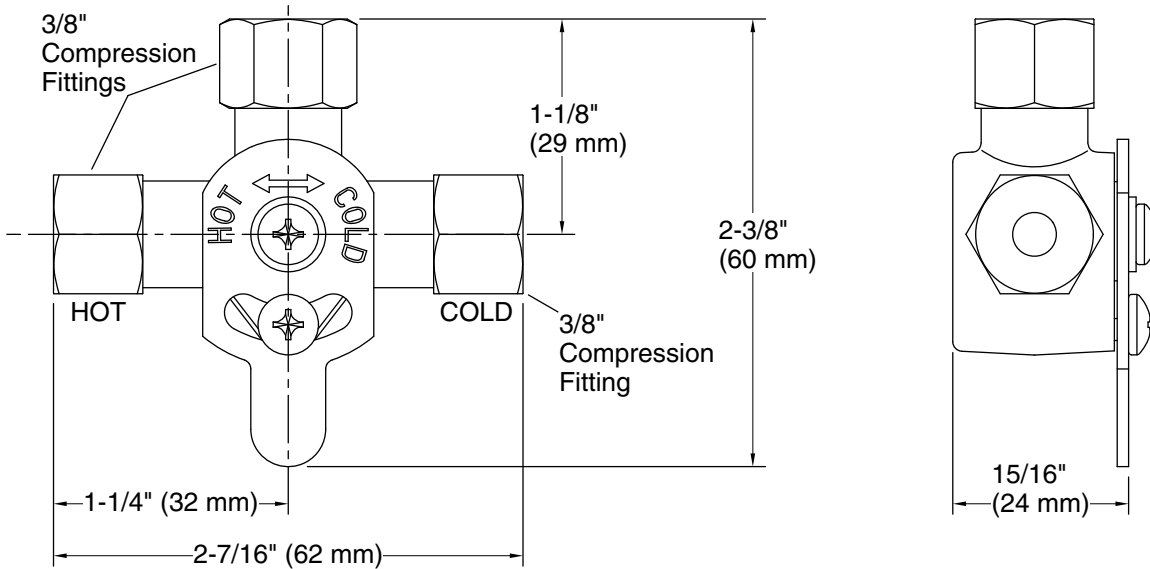
See website for detailed warranty information.

Available Colors/Finishes

Color tiles intended for reference only.

Color	Code	Description
-------	------	-------------

	RP	Rough Plate
---	----	-------------



Technical Information

All product dimensions are nominal.

Faucet flow rate: 3.5 gal/min (13.2 l/min)

Spout:

Notes

Install this product according to the installation instructions.