

Features

- Compression valve
- Pair of angle supplies with stop
- Annealed vertical tube with union connection
- 1/2" NPT connection with flange
- Loose key stop

Material

- Brass



Codes/Standards

ASME A112.18.1/CSA B125.1
NSF/ANSI/CAN 61
NSF/ANSI/CAN 372
NOM Standards
NOM 012-CONAGUA

KOHLER® One-Year Limited Warranty

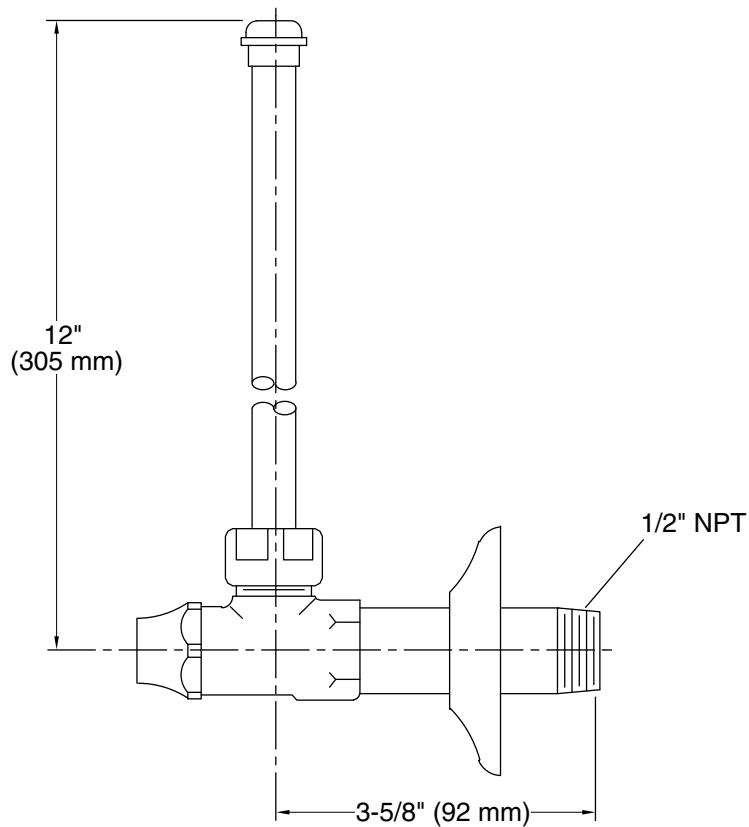
See website for detailed warranty information.

Available Colors/Finishes

Color tiles intended for reference only.

Color Code Description

■	CP	Polished Chrome
---	----	-----------------



Technical Information

All product dimensions are nominal.

Material: Brass

Notes

Install this product according to the installation instructions.