

Features

- Fits K-80646 and K-32619 adjustable linear drain channels, allowing for side drainage
- Pre-attaches to drain pipe for simple installation, with easy access to couplings
- Slim profile is efficient in plumbing space while handling up to 10 gpm (37.8 lpm) flow capacity (rate may vary by installation)
- High-quality, dual-seal rubber gasket ensures water-tight protection
- Fits standard 2" no-hub rubber coupling (sold separately)

Material

- Solid-brass construction for durability and reliability
- KOHLER finishes resist corrosion and tarnishing

Installation

- Through the top of drain channel with threaded collar, tightened with hair strainer

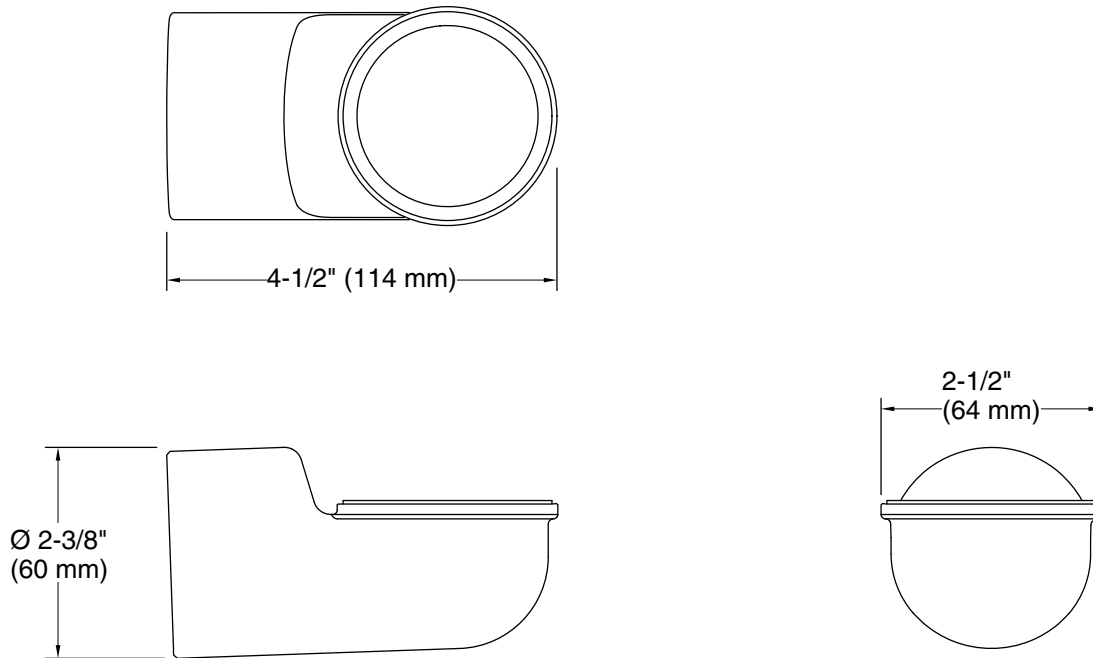


Codes/Standards

ASME A112.18.2/CSA B125.2

KOHLER® One-Year Limited Warranty

See website for detailed warranty information.



Technical Information

All product dimensions are nominal.

Material: Brass