

## Features

- Metal construction
- Reversible quarter-turn washerless ceramic disc valves
- Threaded swing spout with 6" (152 mm) reach
- Lever handles
- Less drain
- 2.2 gpm (8.3 lpm) maximum flow rate at 60 psi (4.14 bar)

## Installation

- For 4" (102 mm) centers

## Recommended Products/Accessories

K-23726 Drain treatment

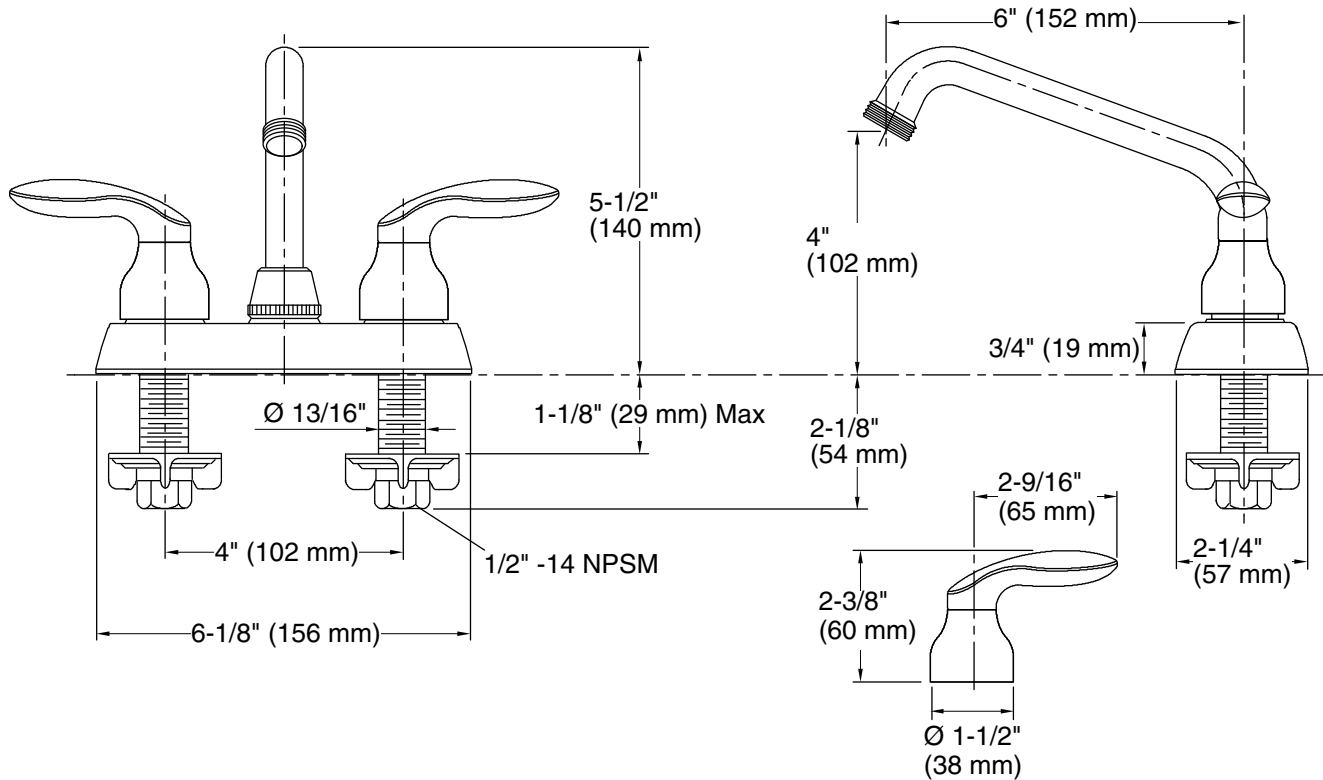


## Codes/Standards

ASME A112.18.1/CSA B125.1

## KOHLER® Faucet Lifetime Limited Warranty

See website for detailed warranty information.



### Technical Information

All product dimensions are nominal.

Faucet flow rate: 2.2 gal/min (8.3 l/min)

### Spout:

Spout reach: 6" (152 mm)

### Notes

Install this product according to the installation instructions.