

### Features

- Water-saving 1.0 gpf (3.8 lpf) flush valve uses 22% less water than 1.28 gpf (4.8 lpf) flush valves
- Activation distance is factory-set
- Chloramine and chlorine resistance on all rubber components exposed to waterway
- Engineered for optimal performance with KOHLER® commercial fixtures
- 125-micron filter protects internal components
- High back pressure vacuum breaker
- Locking stop cap provides protection against vandalism
- No external flush volume adjustment ensures water conservation
- 24-hour automatic sentinel flush keeps trapway fresh
- Mechanical override enables flushometer to be used manually even during a power outage
- Powered by a 30 year/875,000 cycle hybrid energy cell, based on 72 uses per day
- Patented piston technology for superior flush volume accuracy

### Material

- Brass construction with durable Polished Chrome finish

### Technology

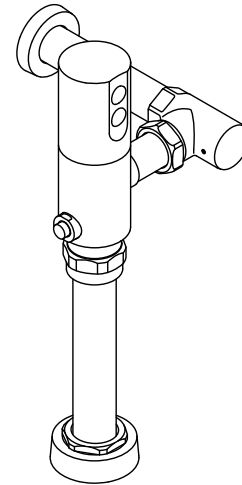
- Electronic infrared sensor with Tripoint® technology for accurate activation

### Installation

- Intended for toilet installations with 1-1/2" (38 mm) top spud coupling connection

### Recommended Products/Accessories

- 1421939 Flushometer Arm Extension Kit
- 1509698 Pressure Gauge Kit, 1/8"



ADA

CSA B651

OBC

### Codes/Standards

ASME A112.18.1/CSA B125.1  
 ASSE 1037/ASME A112.1037/CSA B125.37  
 EPA WaterSense®  
 ADA  
 ICC/ANSI A117.1  
 CSA B651  
 OBC

### KOHLER® One-Year Limited Warranty

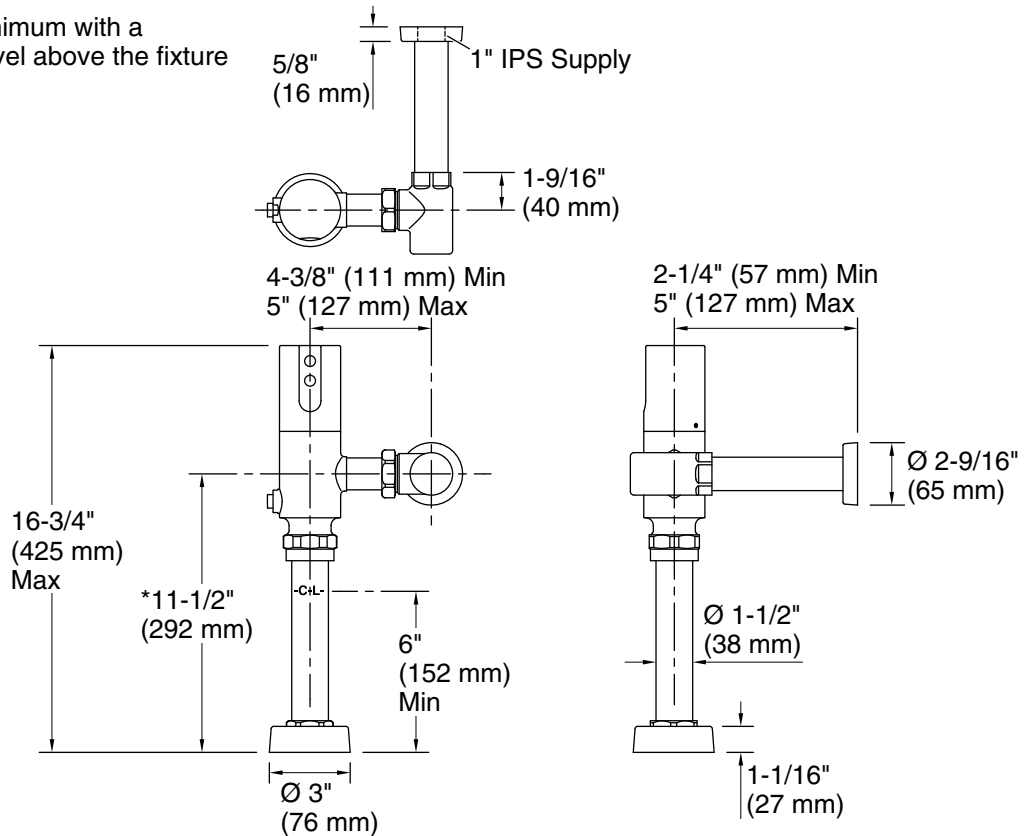
See website for detailed warranty information.

### Available Colors/Finishes

*Color tiles intended for reference only.*

Color	Code	Description
	CP	Polished Chrome

\*10-3/4" (273 mm) minimum with a  
 6" (152 mm) critical level above the fixture



**Technical Information**

All product dimensions are nominal.

**Spout:**

**Pressure/fixture Supply Requirements**

Fixture pressure	80 psi (551.6 kPa)
max (static):	
Fixture pressure min	35 psi (241.3 kPa)
(static):	
Min flowing	25 psi (172.4 kPa)
pressure:	
Min flow rate:	25 gpm (94.6 lpm)

**Notes**

Install this product according to the installation instructions.

This product should be used with a WaterSense labeled counterpart with the same rated flush volume to ensure the complete system meets the requirements of this specification for water efficiency and performance.

ADA, OBC, CSA B651 compliant when installed to the specific requirements of these regulations.