



ENCLOSURES

GEB SERIES

STOCK TERMINAL BOXES - UL / CSA / ATEX / IEC EX WITH **PANEL MOUNTED** TERMINALS



GEBT

GEBX



GEB-TB Terminal Box

NEC / CEC Certifications

Class I, Div. 1 & 2, Groups B, C, & D
Class I Zone 1 IIB+H2 Gb

Class II, Div. 1 & 2, Groups E, F, & G
Class III

Type 3, 4, 4X

Ta = -25°C to +40°C

Ta = -50°C to +40°C

File E83969

Certificate LR11716 - 1820607

ATEX / IEC Ex Certificate

II 2 G D CE 2813

Ex d IIC T* Gb

Ex tb IIIC TC Db IP66**

Service Temperature -40°C to +163°C

Sira 12ATEX1244

IECEX SIR 12.0107

FEATURES-SPECIFICATIONS

Features

- Cover o-ring supplied as standard for Type 4X and IP66 applications
- Available in 3 configurations with either 3/4" or 1" NPT threaded hubs providing ground continuity
- Smooth integral hub bushing to protect conductor insulation when pulling
- Also available in M20 through M50 metric sizes
- No pinching of conductors during cover installation
- Three options of terminal blocks
- One internal and two external grounding (earthing) screws
- Lugs on cover for easy removal and tightening

Materials

- Box and cover: Copper free aluminum (less than 1/10 of 1%)
- Finish: Electrostatically applied powder coating – Grey
- O-Ring Gasket: Nitrile compound
- Stainless steel, tamper-proof locking set screw in cover

Terminal Blocks Specifications

8TBMK: Weidmuller® MK3/8 Qty 8 points
UL = 600VAC, 5AMP, #22 to #12 AWG
CSA = 300VAC, 25AMP, #22 to #12 AWG
IEC = 400VAC, 24AMP, 2.5mm²

6TBMK: Weidmuller® MK6/6 Qty 6 points
UL = 300VAC, 20AMP, #22 to #10 AWG
CSA = 300VAC, 40AMP, #22 to #10 AWG
IEC = 490VAC, 41AMP, 6mm²

10TBZD: Weidmuller® ZDUB2.5 Qty 10 points
UL = 600VAC, 20AMP, #26 to #12 AWG
CSA = 600VAC, 25AMP, #26 to #12 AWG
IEC = 690VAC, 24AMP, 2.5mm²

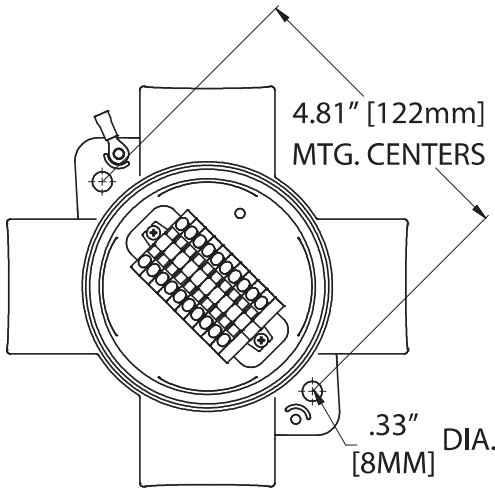
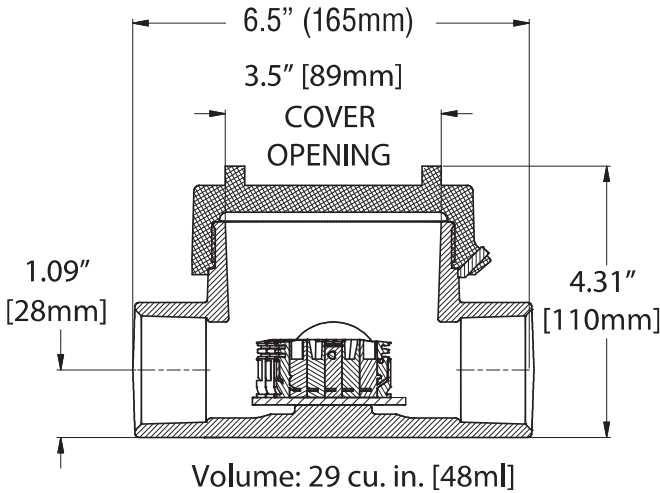
*T Codes Ratings / Wattage Input

- 20 Watts of Power
 - Ta 48°C = T6 / T85°C
 - Ta 63°C = T5 / T100°C
 - Ta 98°C = T4 / T135°C
 - Ta 163°C = T3 / T200°C
- 30 Watts of Power
 - Ta 50°C = T5 / T100°C
 - Ta 85°C = T4 / T135°C
 - Ta 150°C = T3 / T200°C
- 40 Watts of Power
 - Ta 38°C = T5 / T100°C
 - Ta 73°C = T4 / T135°C
 - Ta 138°C = T3 / T200°C



STOCK TERMINAL BOXES - UL / CSA / ATEX / IEC EX WITH **PANEL MOUNTED** TERMINALS

HUB TYPE	CATALOG NUMBER	HUB SIZE	CATALOG NUMBER	HUB SIZE
C	GEB C-2-8TBMK-EX GEB C-2-6TBMK-EX GEB C-2-10TBZD-EX	3/4"	GEB C-3-8TBMK-EX GEB C-3-6TBMK-EX GEB C-3-10TBZD-EX	1"
T	GEB T-2-8TBMK-EX GEB T-2-6TBMK-EX GEB T-2-10TBZD-EX	3/4"	GEB T-3-8TBMK-EX GEB T-3-6TBMK-EX GEB T-3-10TBZD-EX	1"
X	GEB X-2-8TBMK-EX GEB X-2-6TBMK-EX GEB X-2-10TBZD-EX	3/4"	GEB X-3-8TBMK-EX GEB X-3-6TBMK-EX GEB X-3-10TBZD-EX	1"





ENCLOSURES

GEB SERIES

TERMINAL BOXES - UL / CSA / ATEX / IEC EX CONFIGURED **PANEL MOUNTED** TERMINALS



GEB-C Open



GEB-X Open



GEB-TB Terminal Box

NEC / CEC Certifications

Class I, Div. 1 & 2, Groups B, C, & D

Class I Zone 1 IIB+H2 Gb

Class II, Div. 1 & 2, Groups E, F, & G

Class III

Type 3, 4, 4X

Ta = -25°C to +40°C

Ta = -50°C to +40°C

File E83969

Certificate LR11716 - 1820607



ATEX / IEC Ex Certificate

II 2 G D CE 2813

Ex d IIC T* Gb

Ex tb IIIC T**°C Db IP66

Service Temperature -40°C to +163°C

Sira 12ATEX1244

IECEx SIR 12.0107



FEATURES-SPECIFICATIONS

Features

- Cover o-ring supplied as standard for Type 4X and IP66 applications
- Available in 4 configurations with either 3/4" or 1" NPT threaded hubs providing ground continuity
- Smooth integral hub bushing to protect conductor insulation when pulling
- Also available in M20 through M50 metric sizes
- External cover threads on the body protects conductors from damages during pulling
- No pinching of conductors during cover installation
- Two terminal block manufacturers to choose from: Weidmuller® and ABB®
- Three options of terminal blocks
- One internal and two external grounding (earthing) screws
- Lugs on cover for easy removal and tightening

Materials

- Box and cover: Copper free aluminum (less than 1/10 of 1%)
- Finish: Electrostatically applied powder coating – Grey
- O-Ring Gasket: Nitrile compound
- Stainless steel, tamper-proof locking set screw in cover



Terminal Blocks Specifications

8TBMK: Weidmuller® MK3/8 Qty 8 points
UL = 600VAC, 5AMP, #22 to #12 AWG
CSA = 300VAC, 25AMP, #22 to #12 AWG
IEC = 400VAC, 24AMP, 2.5mm²

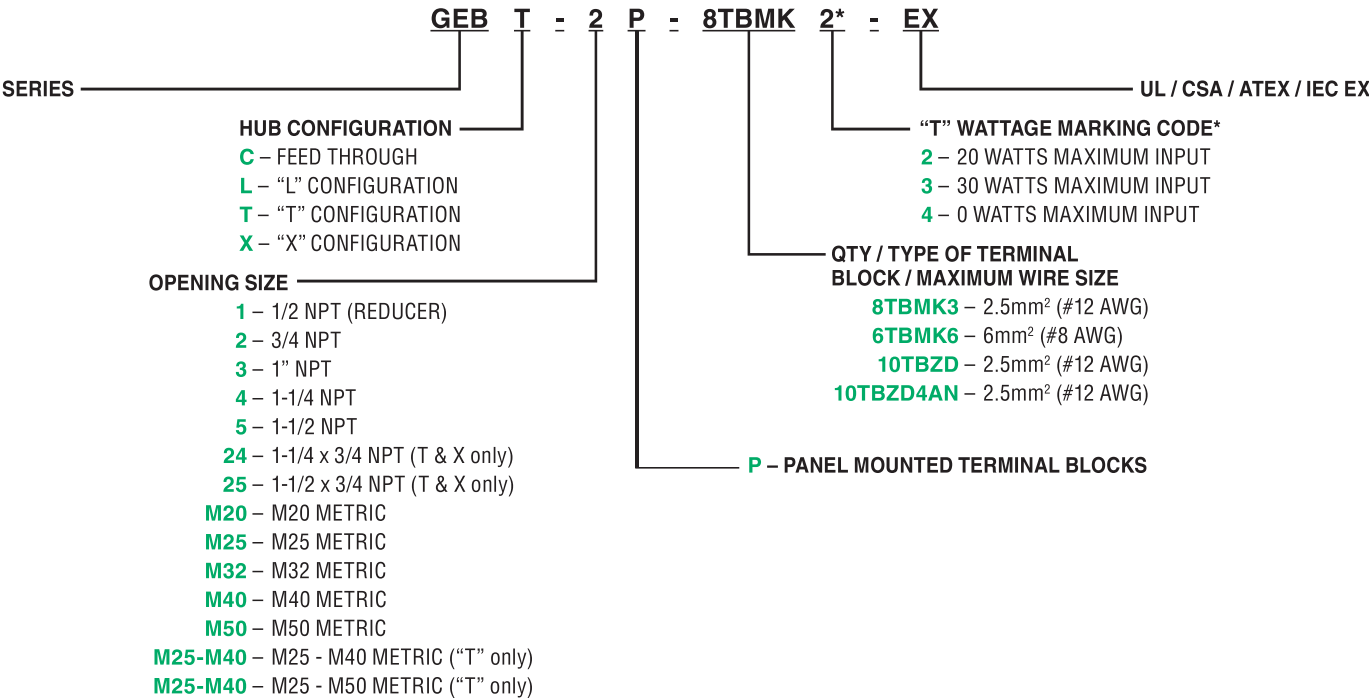
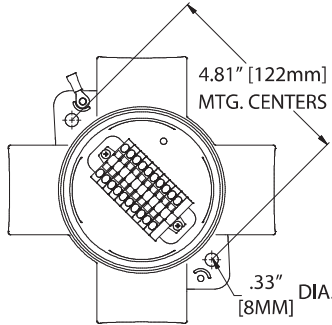
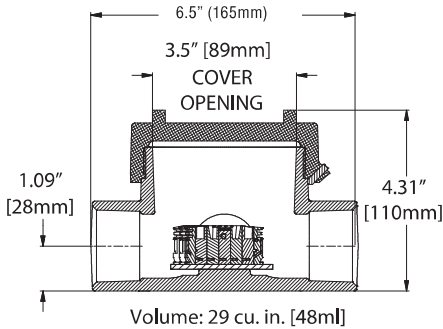
6TBMK: Weidmuller® MK6/6 Qty 6 points
UL = 300VAC, 20AMP, #22 to #10 AWG
CSA = 300VAC, 40AMP, #22 to #10 AWG
IEC = 690VAC, 41AMP, 6mm²

10TBZD: Weidmuller® ZDUB2.5 Qty 10 points
UL = 600VAC, 20AMP, #26 to #12 AWG
CSA = 600VAC, 25AMP, #26 to #12 AWG
IEC = 490VAC, 24AMP, 2.5mm²

10TBZD4AN: Weidmuller® ZDUB2.5/4AN/
DM 4 Connections Qty 10 points
UL = 600VAC, 20AMP, #26 to #12 AWG
CSA = 600VAC, 25AMP, #26 to #12 AWG
IEC = 690VAC, 24AMP, 2.5mm²

***T Codes Ratings / Wattage Input**

- 20 Watts of Power
Ta 48°C = T6 / T85°C
Ta 63°C = T5 / T100°C
Ta 98°C = T4 / T135°C
Ta 163°C = T3 / T200°C
- 30 Watts of Power
Ta 50°C = T5 / T100°C
Ta 85°C = T4 / T135°C
Ta 150°C = T3 / T200°C
- 40 Watts of Power
Ta 38°C = T5 / T100°C
Ta 73°C = T4 / T135°C
Ta 138°C = T3 / T200°C





ENCLOSURES

GEB SERIES

TERMINAL BOXES - UL / CSA / ATEX / IEC EX **DIN RAIL MOUNTED** TERMINALS



GEBX



GEB-TB

Terminal Box

NEC / CEC Certifications

Class I, Div. 1 & 2, Groups B, C, & D
Class I Zone 1 IIB+H2 Gb

Class II, Div. 1 & 2, Groups E, F, & G
Class III

Type 3, 4, 4X

Ta = -25°C to +40°C

Ta = -50°C to +40°C



File E83969



Certificate LR11716 - 1820607

ATEX / IEC Ex Certificate



II 2 G D CE 2813

Ex d IIC T* Gb

Ex tb IIIC T**C Db IP66

Service Temperature -40°C to +163°C

Sira 12ATEX1244

IECEX SIR 12.0107

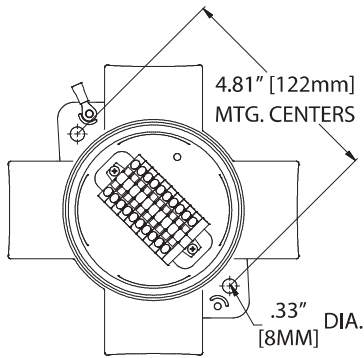
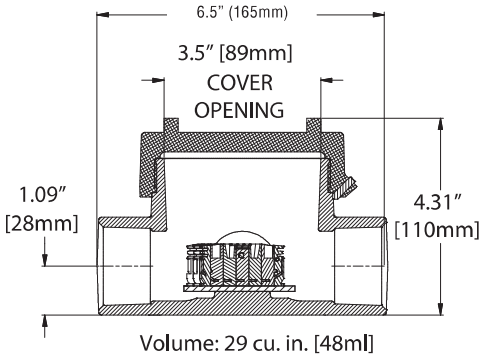
FEATURES-SPECIFICATIONS

Features

- Cover o-ring supplied as standard for Type 4X and IP66 applications
- Available in 4 configurations with either ¾" or 1" NPT threaded hubs providing ground continuity
- Smooth integral hub bushing to protect conductor insulation when pulling
- Also available in M20 through M50 metric sizes
- External cover threads on the body protect conductors from damage during pulling
- No pinching of conductors during cover installation
- Two terminal block manufacturers to choose from: Weidmuller® and ABB®
- Three options of terminal blocks to select from
- One internal and two external grounding (earthing) screws.
- Lugs on cover for easy removal and tightening
- Available with SKK 4mm² blocks up to qty 6. The SKK are rated up to 250°C continuous service.

Materials

- Box and cover: Copper free aluminum (less than ¼ of 1%)
- Finish: Electrostatically applied powder coating – Grey
- O-Ring Gasket: Nitrile compound
- Stainless steel, tamper-proof locking set screw in cover



***T Codes Ratings / Wattage Input**

- 20 Watts of Power
 - Ta 48°C = T6 / T85°C
 - Ta 63°C = T5 / T100°C
 - Ta 98°C = T4 / T135°C
 - Ta 163°C = T3 / T200°C
- 30 Watts of Power
 - Ta 50°C = T5 / T100°C
 - Ta 85°C = T4 / T135°C
 - Ta 150°C = T3 / T200°C
- 40 Watts of Power
 - Ta 38°C = T5 / T100°C
 - Ta 73°C = T4 / T135°C
 - Ta 138°C = T3 / T200°C

