

**B7MS1P**  
 Push Button Style



**B7MS2R**  
 Rotary Style

**B7MS**  
 Motor Starter

**NEC / CEC Certifications**

Class I, Groups B, C & D

Class I, Zone 1 IIB+H2 Gb

Class II, Groups E, F & G

Class III

Type 3, 4, 4X

Ta=-25°C to +40°C (CSAus)

Ta=-50°C to +40°C (cCSA)



Certificate LR11714

## FEATURES-SPECIFICATIONS

### Features

- Compact size enclosures provide application flexibility with cost savings over industry standard sizes
- TYPE 4, 4X rated – providing protection from hose directed water and corrosion
- Pre-drilled to facilitate easy field installation of starters
- 2 operating styles, rotary or push button, including lock-out provision.
- Provisions for drain and breather
- Bolt on ductile mounting lugs
- Two NPT conduit openings provided as standard, with custom openings on request
- When ordered with starters, ABB or Square D supplied.

### Materials

- Enclosures: Copper-free aluminum (less than 1/10 of 1% copper content)
- Cover Bolts: 316 Stainless Steel
- O-ring Gasket: Silicone
- Finish: Grey Powder Polyester painted exterior, electrostatically applied

### Electrical Rating

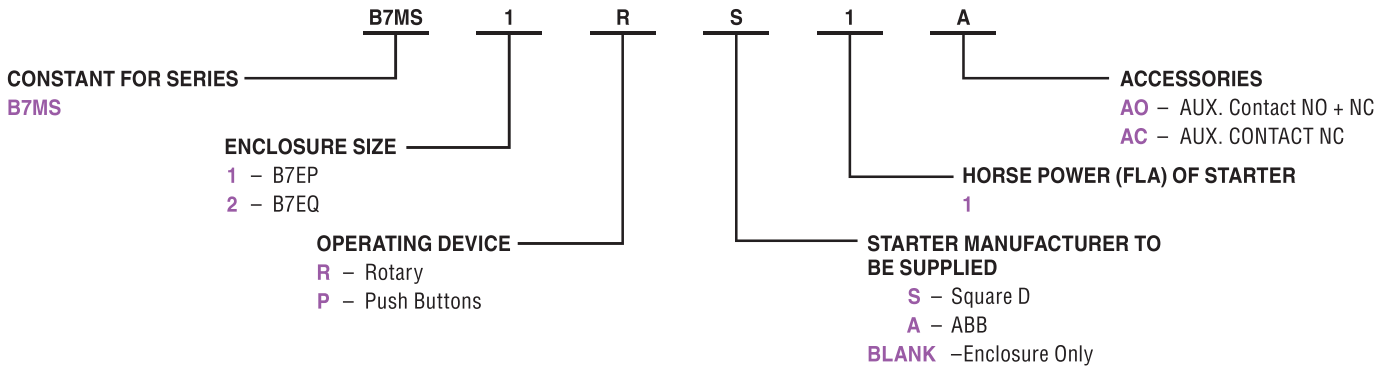
- Starters rated 600V, 3 phase up to 50HP



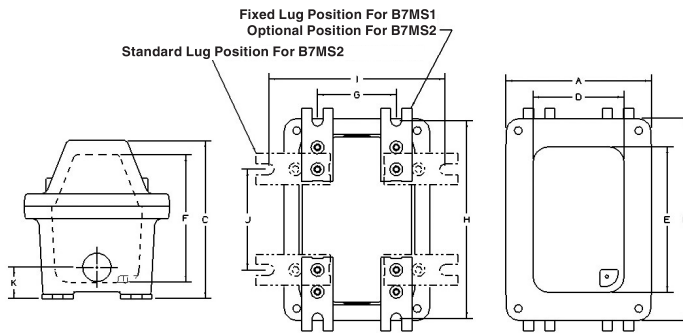
STARTERS

**B7MS SERIES**

**CATALOG LOGIC**



**DIMENSIONS**



ENCLOSURE	OUTSIDE BOX DIMENSIONS			NOMINAL INSIDE BOX			MOUNTING DIMENSIONS					CONDUIT SIZE	WEIGHT LBS(KG)
	A	B	C	D	E	F	G	H	I	J	K		
<b>B7MS1</b>	5-3/4 (146)	8-1/16 (205)	6-5/16 (160)	3-5/8 (92)	5-13/16 (148)	5-1/16 (129)	3-1/8 (79)	8-1/8 (206)	—	—	1-1/4 (32)	1	11.6 (5.3)
<b>B7MS2</b>	8-1/8 (79)	13-1/16 (345)	7-13/16 (198)	4-1/4 (108)	9-13/16 (249)	6-5/16 (160)	2-1/2 (63)	11-3/8 (289)	6-3/8 (162)	7-1/2 (191)	1-13/16 (46)	1-1/2	23.7 (10.8)

Dimension are shown in inches (mm)



COMPACT MANUAL IEC STARTERS

B7MS – ROTARY STYLE WITH ABB MS132 & MS450 SERIES								
	CATALOG NUMBER	ADJUSTMENT RANGE FLA	SINGLE PHASE HP		THREE PHASE HP			
			120V	230V	200V-208V	230V	480V	600V
ENCLOSURE WITHOUT STARTER	B7MS1RA-1	0.63 - 1.0					0.5	0.5
	B7MS1RA-2	1.0 - 1.6		0.1			0.75	0.75
	B7MS1RA-3	1.6 - 2.5		0.167		0.5	1	1.5
	B7MS1RA-4	2.5 - 4.0	0.125	0.33		1	2	3
	B7MS1RA-5	4.0 - 6.3	0.25	0.5		1.5	3	5
	B7MS1RA-6	6.3 - 9.0	0.33	1		2.5	5	7.5
	B7MS1RA-7	9.0 - 12.5	0.5	2		3	7.5	10
	B7MS1RA-8	12.5 - 16.0	1	2.5		5	10	10
	B7MS1RA-9	16.0 - 20.0	1.5	3		5	10	15
	B7MS1RA-10	20.0 - 25.0	2	3		7.5	15	20
ENCLOSURE WITHOUT STARTER	B7MS2RA-12	11 - 16	1	3	5	5	10	15
	B7MS2RA-13	14 - 20	1.5	3	5	7.5	15	20
	B7MS2RA-14	18 - 25	2	5	7.5	10	20	25
	B7MS2RA-15	22 - 32	3	5	10	10	25	30
	B7MS2RA-16	28 - 40	3	7.5	15	15	30	40
	B7MS2RA-17	36 - 45	5	7.5	15	15	30	40
	B7MS2RA-18	40 - 50	5	10	15	20	40	50
B7MS – PUSH BUTTON STYLE SQUARE D GV2 SERIES								
ENCLOSURE WITHOUT STARTER	B7MS1PS-1	0.63 - 1.0					0.5	0.5
	B7MS1PS-2	1.0 - 1.6		0.1			0.75	1
	B7MS1PS-3	1.6 - 2.5		0.167	0.5	0.5	1	1.5
	B7MS1PS-4	2.5 - 4.0	0.125	0.33	0.75	1	2	3
	B7MS1PS-5	4.0 - 6.3	0.25	0.5	1.5	1.5	3	5
	B7MS1PS-6	6.0 - 10.0	0.5	1.5	2	3	5	7.5
	B7MS1PS-7	9.0 - 14.0	0.75	2	3	3	10	10
	B7MS1PS-8	13.0 - 18.0	1	3	5	5	10	15
	B7MS1PS-9	17.0 - 23.0	1.5	3	5	7.5	15	20
	B7MS1PS-10	20.0 - 25.0	2	3	5	7.5	15	20
	B7MS1PS-11	24.0 - 32.0	2	5	10	10	20	30
B7MS – ROTARY STYLE WITH SQUARE D GV2 & GV3 SERIES								
ENCLOSURE WITHOUT STARTER	B7MS1RS-1	0.63 - 1.0					0.5	0.5
	B7MS1RS-2	1.0 - 1.6		0.1			0.75	1
	B7MS1RS-3	1.6 - 2.5		0.167	0.5	0.5	1	1.5
	B7MS1RS-4	2.5 - 4.0	0.125	0.33	0.75	1	2	3
	B7MS1RS-5	4.0 - 6.3	0.25	0.5	1.5	1.5	3	5
	B7MS1RS-6	6.0 - 10.0	0.5	1.5	2	3	5	7.5
	B7MS1RS-7	9.0 - 14.0	0.75	2	3	3	10	10
	B7MS1RS-8	13.0 - 18.0	1	3	5	5	10	15
	B7MS1RS-9	17.0 - 23.0	1.5	3	5	7.5	15	20
	B7MS1RS-10	20.0 - 25.0	2	3	5	7.5	15	20
	B7MS2RS-11	24.0 - 32.0	2	5	10	10	20	30
ENCLOSURE WITHOUT STARTER	B7MS2RS-12	9.0 - 13.0	1	2	3	3	7.5	10
	B7MS2RS-13	12.0 - 18.0	1	3	5	5	10	15
	B7MS2RS-14	17.0 - 25.0	2	3	7.5	7.5	15	20
	B7MS2RS-15	23.0 - 32.0	2	5	10	10	20	30
	B7MS2RS-16	30.0 - 40.0	3	5	10	10	30	30
	B7MS2RS-17	37.0 - 50.0	3	7.5	15	15	40	40
	B7MS2RS-18	48.0 - 65.0	5	10	20	20	50	50

**B7MS1R** – For use with ABB MS116, MS325, MS132 Automation Direct BM3 Cutler-Hammer XTPR Moeller PKZMO Seimens 3RV Sprecher + Schuh KTA7 SQ D Telemecanique GV2P WEG MPW25

**B7MS2R** – For use with Automation Direct BM3 SQ D Telemecanique GV3P

**B7MS2RA** – For use with ABB MS450

**B7MS1P** – For use with Cutler-Hammer XTPB Moeller PKZMO1 SQ D Telemecanique GV2ME WEG MPW25

**B7MS2P** – For use with Advance Control MMS25

\* **B7MS1PRW** – (enclosure without starter) For use with Allen-Bradley 140 Sorecher + Schuh KT4